

Planning aid

International collection

Kitchen appliances

2026/2027

Note on content

Please note

This planning aid applies to the specified model numbers only. Older planning aids for earlier generation models may be requested in electronic form from our Customer Services.

This planning aid is not to be used as installation instructions! The regulations and instructions binding for the appliance installation are to be obtained from the installation instructions packed with the appliances. The installation instructions can also be downloaded from the internet from www.vzug.com/b2b.

Changes

Text, diagrams and data correspond to the technical standard of the appliances at the time this planning aid went to press. The right to make technical modifications for the purpose of the further development of the appliances is reserved. The German, English, French and Italian versions are binding. V-ZUG accepts no liability for translations in other languages.

Symbols used



Denotes important safety precautions.

Failure to observe said precautions can result in injury or in damage to the appliance or fittings!

- ▶ Indicates an instruction.
- Indicates a list.



Information and precautions that should be observed.



Extraction



Recirculation

Supplementary documents

In this planning aid, occasional reference is made to supplementary documents. These documents can be requested from the Head Office in Zug by sending an e-mail to service-support@vzug.com.

Useful links

- www.vzug.com
- www.vzug.com/b2b/

Key to country groups

Country group	Country code (in accordance with ISO 3166)
A	EU European Union, TR Turkey, IL Israel, LB Lebanon, NO Norway
B	GB Great Britain
C	AE United Arab Emirates, HK Hong Kong, MO Macao, SG Singapore, TH Thailand, VN Vietnam
D	AU Australia, NZ New Zealand
E	RU Russia, UA Ukraine
F	CN China



Contents

1 Overview of connections, ranges and dimensions	5
1.1 General operating conditions	5
1.2 Using residual current devices in house wiring system / fault current	5
1.3 Validity	6
1.4 Positions of electrical connections	10
1.5 Built-in EURO	11
1.6 Front dimensions of Excellence appliances	12
1.7 Front dimensions of Advanced appliances	13
2 Steamers	14
2.1 General notes	14
2.2 Electrical connection data	14
2.3 Excellence Line 90 cm	15
2.4 Excellence Line 60 cm	15
3 Ovens	19
3.1 General notes	19
3.2 Electrical connection data	19
3.3 Excellence Line 60 cm	20
3.4 Advanced Line 60 cm	21
4 Vacuum drawers, warming drawers & system drawers	22
4.1 General notes	22
4.2 Electrical connection data	22
4.3 Vacuum drawers	23
4.4 Warming drawers	26
4.5 System drawers	28
5 Microwaves	29
5.1 General notes	29
5.2 Electrical connection data	29
5.3 Microwaves with niche width 60 cm	30
6 Automatic built-in coffee machines	31
6.1 General notes	31
6.2 Electrical connection data	31
6.3 CoffeeCenter V6000 45 (25005)	31
7 Combination possibilities	32
7.1 Oven & steamer	32
7.2 Oven & microwave oven	33
7.3 Oven & automatic built-in coffee machine	35
8 CookTop glass ceramic hobs	36
8.1 General notes	36
8.2 OptiGlass coating	36
8.3 Electrical connection data	36
8.4 Ventilation	37
8.5 Surface-mounted installation with «DualDesign»	38
8.6 Flush installation with «DualDesign»	45
8.7 Installation without protective plate	52
8.8 Installation with protective plate	54
9 Gas hobs	57
9.1 Electrical connection data	57
9.2 Gas connection	58
9.3 Ventilation	59
9.4 Setting up appliance to use local gas type	60
9.5 Surface-mounted installation with «DualDesign»	61
9.6 Flush installation with «DualDesign»	64
10 Combined hob installation	67
10.1 Surface-mounted combination	67
10.2 Examples of surface-mounted combinations	68
10.3 Flush combination	69
10.4 Examples of flush combinations	70
11 CombiCookTop induction hob with hood	71
11.1 Electrical connection data	71



11.2	Dimensions	71
11.3	Scope of delivery	73
11.4	Ventilation of the hob	74
11.5	Surface-mounted installation	75
11.6	Flush installation	76
11.7	Installation overview for base	77
11.8	Flat channel systems made of plastic (PRIME) for the CombiCookTop I604	80
11.9	Flat channel systems made of plastic (PRIME) for the CombiCookTop I804	81
11.10	Flat channel systems made of metal (RF1) for the CombiCookTop I804	82
11.11	Recirculation mode	83
11.12	Extraction mode	83
12	Range hoods	85
12.1	General notes	85
12.2	Electrical connection data	85
12.3	Special hoods	86
12.4	Island hoods	100
12.5	Wall hoods	102
12.6	Built-in range hoods	108
13	Dishwashers	119
13.1	General notes	119
13.2	Electrical connection data / Plumbing-in data	120
13.3	Installation overview	122
13.4	Drilling plans for decor panel 60 cm	123
13.5	Dishwashers with niche width 60 cm	124
14	Dishwashers with heat pump	130
14.1	General notes	130
14.2	Electrical connection data / Plumbing-in data	131
14.3	Installation overview	132
14.4	Drilling plans for decor panel 60 cm	133
14.5	Dishwashers with niche width 60 cm	134
15	Refrigerating and freezing appliances	136
15.1	General notes	136
15.2	Electrical connection data	136
15.3	Ambient conditions	137
15.4	Niche ventilation	138
15.5	Refrigerators with niche width 60 cm	139
15.6	Refrigerators with niche width 75 cm	141
15.7	Refrigerators with niche width 90 cm	143
15.8	Wincoolers	145
15.9	Freezers	149
16	Accessories	151
16.1	Fixed adapter	151
16.2	Ovens / steamers / microwave ovens / coffee machines / vacuum drawers / warming drawers / system drawers	151
16.3	Hobs and gas hobs	154
16.4	Range hoods	156
16.5	Dishwashers	170
16.6	Refrigerating and freezing appliances	171
17	V-ZUG-Home	173
17.1	Internet access	173
17.2	Scope of delivery	173
17.3	Connecting to the home network	173

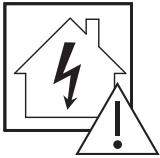


1 Overview of connections, ranges and dimensions



Electrical connections must be carried out by qualified personnel in accordance with the guidelines and standards for low-voltage installations and the specifications of the local electricity supply companies.

A plug-in appliance may only be connected to a socket outlet with earthing contact, installed according to specifications. An all-pole mains isolating device with 3 mm contact opening should be provided in the house wiring system. Switches, plug and socket devices, circuit breakers and fusible cut-outs which are accessible after installation and which have all-poles switching are permissible as isolating devices. Effective earthing and separately installed neutral and earth conductors ensure safe and fault-free operation. After installation, live parts and cables with basic insulation must not be accessible. Check old installations.



Before connecting the appliance ensure that the installation is designed for appliances with a rated current of over 13 A. If you are unsure, consult an authorized electrician.

1.1 General operating conditions



Detailed information on the electrical connection data can be found at the beginning of each section.

Value	Nominal value	Minimum	Maximum
Voltage	220-240 V	198 V	253 V
Voltage	380-415 V	342 V	440 V
Frequency	50 Hz sinusoidal	49 Hz sinusoidal	51 Hz sinusoidal

- Short duration frequency variation in the mains: $\pm 5\%$
- Long duration frequency stability in the mains (for synchronous clocks): ± 10 ppm
- The appliances are designed for use up to an altitude of 2000 m above sea level.

1.2 Using residual current devices in house wiring system / fault current

High fault currents are inherently present in ovens and hobs. The values can be affected by various factors and vary widely. Fault currents of up to approximately 10 mA per appliance are permissible in accordance with the norm. The values are measured in the warm operating state.

If residual current devices (RCDs) are used in the house wiring system, we recommend that the above-mentioned appliances have their own RCD protection, separate from the power supply for the rest of the system. 30 mA or higher should be selected as the tripping current for the residual current device.



1.3 Validity

The model number corresponds to the first alphanumeric of the serial number SN (or FN) on the identification plate.

Model designation	Model number	Type
Steamers		
Steamer V4000 38	23025	S4T-23025
Steamer V4000 45	23026	S4T-23026
CombiSteamer V4000 45	23031	CS4T-23031
CombiSteamer V6000 45	23032	CS6T-23032
CombiSteamer V6000 45F	23033	CS6T-23033
CombiSteamer V6000 45L Grand	23034	CS6T-23034
CombairSteamer V2000 60	23036	CS2T-23036
CombairSteamer V6000 60	23038	CS6T-23038
CombiSteamer V6000 45M PowerSteam	23041	CSM6T-23041
CombiSteamer V6000 45	23043	CS6T-23043
CombiSteamer V6000 45F	23045	CS6T-23045
CombiSteamer V6000 45L Grand	23046	CS6T-23046
CombiSteamer V6000 45M PowerSteam	23047	CSM6T-23047
CombairSteamer V6000 60	23049	CS6T-23049
Ovens		
Combair V2000 60	21043	C2T-21043
Combair V4000 60	21045	C4T-21045
Combair V6000 60	21047	C6T-21047
Combair V2000 45	21048	C2T-21048
Combair V4000 45	21049	C4T-21049
Combair V6000 45	21050	C6T-21050
Combair V4000 60P	21055	C4T-21055
Combair V6000 60P	21057	C6T-21057
Combair V4000 45P	21058	C4T-21058
Combair V6000 45P	21059	C6T-21059
Combair V6000 45	21067	C6T-21067
Combair V6000 60	21068	C6T-21068
Combair V6000 45P	21070	C6T-21070
Combair V6000 60P	21073	C6T-21073
Combair V600 60	21128	C6H-21128
Vacuum drawers		
VacuDrawer V6000 14	36004	DV6T-36004
VacuDrawer V6000 14	36005	DV6T-36005



Model designation	Model number	Type
Warming drawers		
WarmingDrawer V4000 14	34026	DW4T-34026
WarmingDrawer V4000 14	34027	DW4T-34027
WarmingDrawer V4000 22	34029	DW4T-34029
WarmingDrawer V4000 28	34030	DW4T-34030
WarmingDrawer V4000 31	34031	DW4T-34031
System drawers		
Drawer V2000 14	35005	DS2T-35005
Microwaves		
CombiMiwell V4000 45	24025	CM4T-24025
CombiMiwell V2000 38	24021	CM2T-24021
Miwell V600 38	24019	M6H-24019
Automatic built-in coffee machines		
CoffeeCenter V6000 45	25005	COC6T-25005
Hobs		
CookTop V6000 I905	31114	CTI6T95MMSOLD
CookTop V4000 I604	31115	CTI4T64MMSOLD
CookTop V4000 I704	31116	CTI4T74MMSOLD
CookTop V6000 I705 FullFlex	31132	CTI6T-31132
CookTop V6000 I906 FullFlex	31134	CTI6T-31134
CookTop Teppan Yaki I40	31140	CTI2T-31140
CookTop V4000 I904	31142	CTI4T-31142
CookTop V4000 I302	31143	CTI4T-31143
CookTop V4000 I402	31144	CTI4T-31144
CookTop V6000 A905	31155	CT6T-31155
CookTop V4000 I604	31157	CTI4T-31157
CookTop V4000 I804	31158	CTI4T-31158
CookTop V2000 I302	31177	CTI2T-31177
CookTop V2000 I402	31178	CTI2T-31178
CookTop V2000 I604	31179	CTI2T-31179
CookTop V2000 I604	31180	CTI2T-31180
CookTop V2000 I704	31181	CTI2T-31181
CookTop V2000 I804	31182	CTI2T-31182
Gas hobs		
GAS411 multi-slider	31063	GAS411GSAZ/GSBZ
GAS421 multi-slider	31064	GAS421GSAZ/GSBZ
GAS641 multi-slider	31071	GAS641GSAZ/GSBZ
GAS951 multi-slider	31072	GAS951GSAZ/GSBZ
GAS311 dial controls	31073	GAS311GKBZ
GAS321 dial controls	31074	GAS321GKBZ
GAS731 dial controls	31075	GAS731GKBZ



Model designation	Model number	Type
Induction hobs with integrated hood		
CombiCookTop V2000 I804	31095	CCT2T-31095
CombiCookTop V4000 I804	31096	CCT4T-31096
CombiCookTop V2000 I604	31175	CCT2T-31175
CombiCookTop V2000 I604	31176	CCT2T-31176
Range hoods: Special hoods		
DSTS downdraft hood	64015	DSTS9-64015
DSMS downdraft hood	64005	DSMS
Island hoods		
DIQS10	63014	DIQS10c/Lc
DIPQ12	63016	DIPQ12g/Lg
AiroClearIsland V6000	63020	AI6T12QTLG/TPLG
Wall hoods		
DWQS60	62019	DWQS6c/Lc
DWPQ12	62023	DWPQ12g/Lg
AiroClearWall V6000 Q90	62028	AW6T9QTLG/TPLG
AiroClearWall V6000 Q120	62029	AW6T12LQTLG/TPLG
AiroClearWall V4000 Q90	62026	AW4T-62026
AiroClearWall V4000 Q120	62031	AW4T-62031
AiroClearWall V2000 V90	62032	AW2T-62032
Built-in range hoods		
DFSG60	61031	DFSG6c
DFSG90	61033	DFSG9c
AiroClearCabinet V600 S60	61077	ACE6H-61077
AiroClearCabinet V600 S90	61078	ACE6H-61078
AiroClearCabinet V600 H60	61083	ACE6H-61083
AiroClearCabinet V600 H90	61084	ACE6H-61084
DFPQSL6	61037	DFPQSL6g
DFPQSL9	61038	DFPQSL9g
AiroClearCabinet V6000 F60	61058	AE6T6FTLG/TPLG
AiroClearCabinet V6000 F90	61060	AE6T9FTLG/TPLG
AiroClearCabinet V4000 H60	64009	AE4T-64009
AiroClearCabinet V4000 H90	64010	AE4T-64010
AiroClearCabinet V4000 H90	64011	AE4T-64011
Dishwashers		
AdoraDish V2000	41162, 41163	AS2T-41162, AS2T-41163
AdoraDish V4000	41164, 41166, 41168	AS4T-41164, AS4T-41166, AS4T-41168
AdoraDish V6000	41147, 41169, 41171– 41173, 41177	AS6T-41147, AS6T-41169, AS6T-41171–AS6T-41173, AS6T-41177



Model designation	Model number	Type
Refrigerators		
CombiCooler V6000 178NI	51148	CCO6T-51148
CombiCooler V6000 178NI (-T)	51149	CCO6T-51149
CombiCooler V4000 178KNI	51114	CCO4T-51114
CombiCooler V4000 178NI	51108, 51151	CCO4T-51108, CCO4T-51151
CombiCooler V4000	51087	CCO4T-51087
CombiCooler V600 178NI	51157	CCO6H-51157
Cooler V4000 178K	51139	CO4T-51139
Cooler V4000 178K (-T)	51140	CO4T-51140
Cooler V4000 178KG	51143	CO4T-51143
CombiCooler V6000 75 Supreme	51115	CCO6T-51115
Cooler V6000 75 Supreme	51116	CO6T-51116
CombiCooler V6000 90 Supreme	51133	CCO6T-51133
Cooler V6000 90 Supreme	51134	CO6T-51134
Winecoolers		
WineCooler V4000 90	51102	WC4T-51102
WineCooler V4000 45	51113	WC4T-51113
WineCooler V4000 8U	51158	WC4T-51158
WineCooler V6000	51135	WC6T-51135
WineCooler V6000 60 Supreme	51154	WC6T-51154
Freezers		
Freezer V4000 178N	53008	FR4T-53008
Freezer V4000 178N (-T)	53009	FR4T-53009
Freezer V6000 60 Supreme	53006	FR6T-53006

1.4 Positions of electrical connections

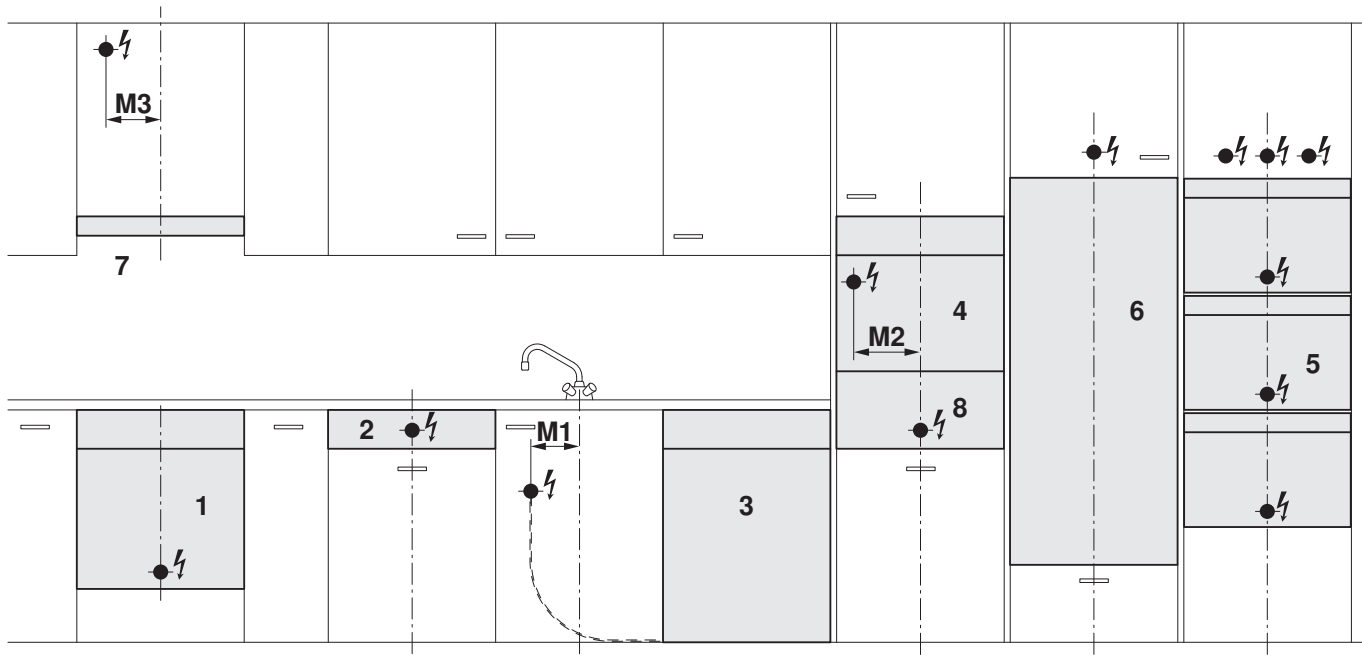
For EURO kitchens, allowance from the floor can vary. In this case, the electrical connection should be calculated using the dimension from the bottom edge of the appliance.

Oven above an oven

With this combination, an electrical connection should be provided for each appliance. Depending on the installation height and the type of combination, the connections may be located at different heights.

Wall hoods with telescopic casing

The electrical connection must pass between the exhaust air piping and the lagging sheets. The measurements given in the table ensure that this condition is met.



- 1 Oven/Steamer in base unit
- 2 Autarchic hob
- 3 Dishwasher/Refrigerator in base unit
- 4 Automatic built-in coffee machine / Microwave oven
- 5 Oven / Steamer / Microwave oven, also in combination
- 6 Refrigerator, WineCooler in tall unit. **Note:** Position of socket not applicable to models from the V6000 Supreme Line.
- 7 Range hood
- 8 Drawers (warming drawer / vacuum drawer / system drawer)

- M1** Distance from centre to dishwasher/refrigerator connection in base unit
- M2** Distance from centre to connection for automatic built-in coffee machine / microwave oven (option)
- M3** Distance from centre to range hood connection



Provide additional clearance for electrical connections if the installation niche has only the minimum depth.



1.5 Built-in EURO

No.	Designation	Connection from appliance support	Connection in niche	Type of connection
1	Oven, steamer (height 600 mm)	max. 30 mm (for plinth height 100 mm)	Centre	I
2	Autarchic hob	–	Centre	I
3	Dishwasher	–	M1 = 160 mm	U
	Refrigerator in base unit	–	M1 = 160 mm	U
4	Oven, steamer (height 600 mm)	max. 30 mm	Centre	I
	Oven, steamer (height 380 mm / 450 mm)	max. 30 mm	Centre	I
	Microwave oven (height 380 mm)	max. 300 mm	Centre, M2 = 225 mm (option)	I, U
	Microwave oven (height 450 mm)	max. 400 mm	Centre, M2 = 225 mm (option)	I
	Automatic built-in coffee machine	max. 300 mm	M2 = 225 mm	I, U
5	Double combination (height 600 mm) Triple combination variants	max. 30 mm	Centre	I, U
6	Refrigerator, winecooler in tall unit up to and including 12/6, EURO 1530 mm	–	Centre	U
	Refrigerator in tall unit from 13/6, EURO 1540 mm			
8	Warming drawer, vacuum drawer	–	Centre	U

I See separate installation instructions

M1 Distance from centre to dishwasher/refrigerator connection in base unit

M2 Distance from centre to connection for automatic built-in coffee machine / microwave oven (option)

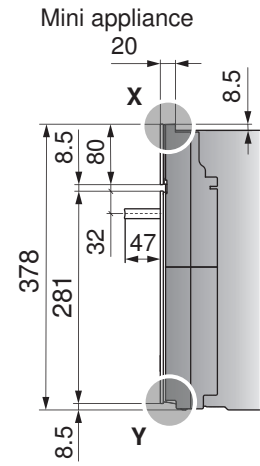
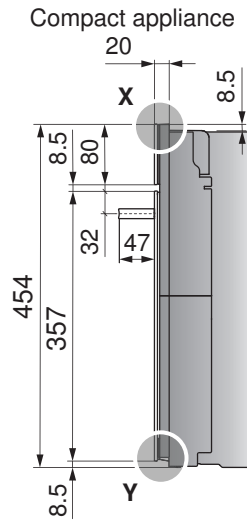
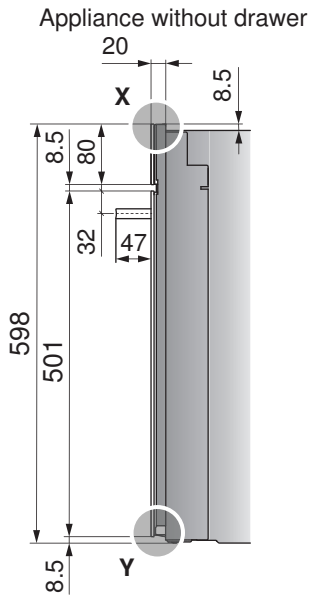
U Flush power socket 220–240 V

1.6 Front dimensions of Excellence appliances

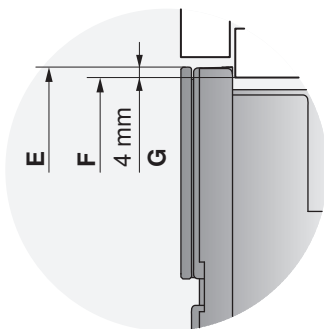


Manufacturing tolerance: ± 1 mm

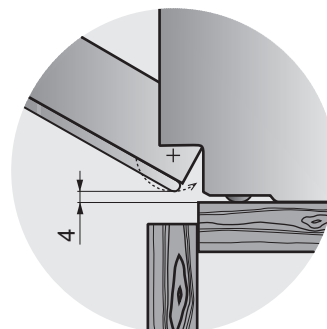
Oven/Steamer in tall unit



Detail X



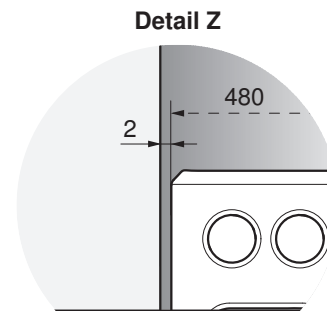
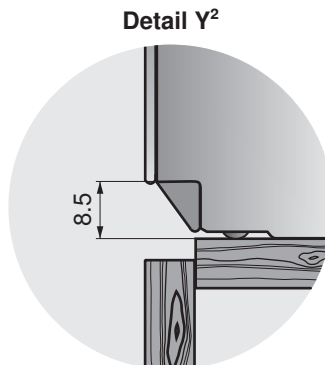
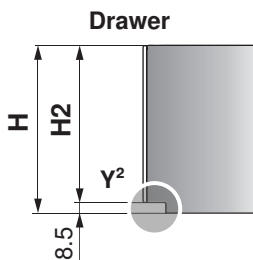
Detail Y



- E** Appliance height
- F** Niche height
- G** Overlap

Vacuum, warming and system drawer

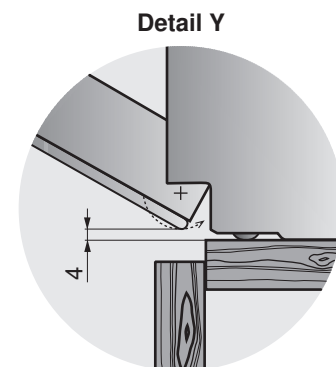
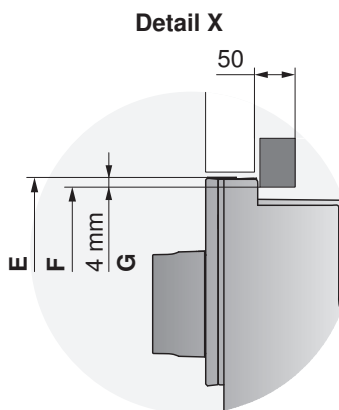
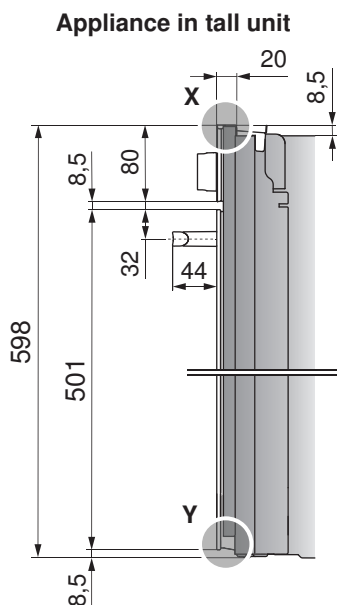
Appliance height H	Door glass height H2
310	301.5
281	272.5
218	209.5
160	151.5
142	133.5
74	65.5



1.7 Front dimensions of Advanced appliances



Manufacturing tolerance: ± 1 mm



- E** Appliance height
- F** Niche height
- G** Overlap

2 Steamers

Only use if water hardness >3° French hardness (>1.7° German hardness).

2.1 General notes



Efficient repairs can only be guaranteed if it is possible to uninstall the whole appliance at any time without causing any damage.

The niche and gap dimensions given below must be observed to ensure proper ventilation.

2.2 Electrical connection data



General information on the electrical connections and an overview of the positions can be found in section Overview of connections, ranges and dimensions (see page 5).

Appliance	Model number	Country group *	Mains connection	Fuse	Rated load	Mains cable
CombiSteamer V2000 60	23036	A, E, F	220–240 V~ 50 Hz	16 A	3700 W	min. 1.8 m, with plug
CombiSteamer V6000 60	23038, 23049					
CombiSteamer V4000 45	23031					
CombiSteamer V6000 45	23032, 23033, 23043, 23045					
CombiSteamer V6000 45L Grand	23034, 23046					
Steamer V4000 45	23026					
CombiSteamer V2000 60	23036	B, C, D	220–240 V~ 50 Hz	16 A	3700 W	min. 1.8 m, without plug
CombiSteamer V6000 60	23038, 23049					
CombiSteamer V4000 45	23031					
CombiSteamer V6000 45	23032, 23033, 23043, 23045					
CombiSteamer V6000 45L Grand	23034, 23046					
Steamer V4000 45	23026					
CombiSteamer V6000 45M PowerSteam**	23041, 23047	A, B, C, D, E, F	220–240 V~ 50 Hz	16 A	3700 W	min. 1.8 m, without plug
CombiSteamer V6000 45M PowerSteam				25 A***	5100 W	
				380–415 V 2N~ 50 Hz	16 A	
Steamer V4000 38	23025	C	220–240 V~ 50 Hz	16 A	3300 W	min. 1.8 m, without plug

* Country group (see page 2)

** The CombiSteamer V6000 45M PowerSteam can also be operated with a single-phase connection (230 V~/16 A). For performance reasons (less power means longer cooking times), it should, where possible, be connected with a two-phase connection.

*** This appliance complies with the requirements of IEC 61000-3-12. If the appliance is to be fitted with a 25 amp fuse, this must be activated in the appliance settings.



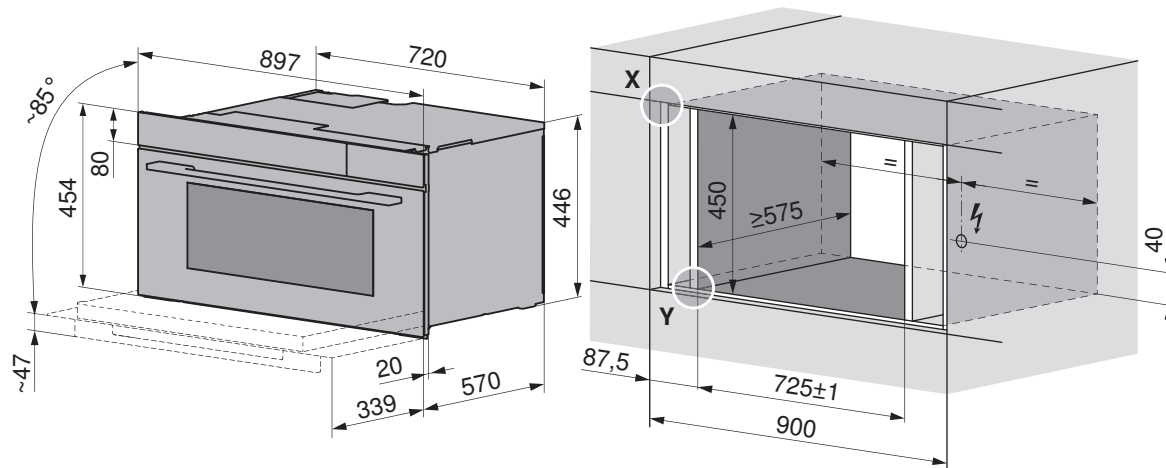
The fixed adapter (article no. 1245010) must be used in conjunction with the type K socket to ensure the safety of the product (earthing). Is supplied with appliances for Denmark (see page 151).

2.3 Excellence Line 90 cm

CombiSteamer

CombiSteamer V6000 45L Grand, niche height 450

Valid for the following models: 23034, 23046



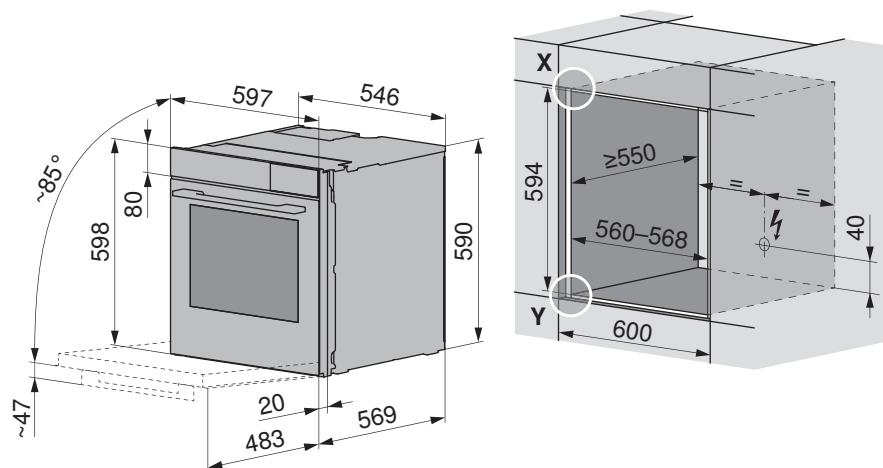
Front dimensions of the appliances: Detail X/Y (see page 12)

2.4 Excellence Line 60 cm

CombairSteamer

CombairSteamer V2000/V6000 60, niche height 600

Valid for the following models: 23036, 23038, 23049

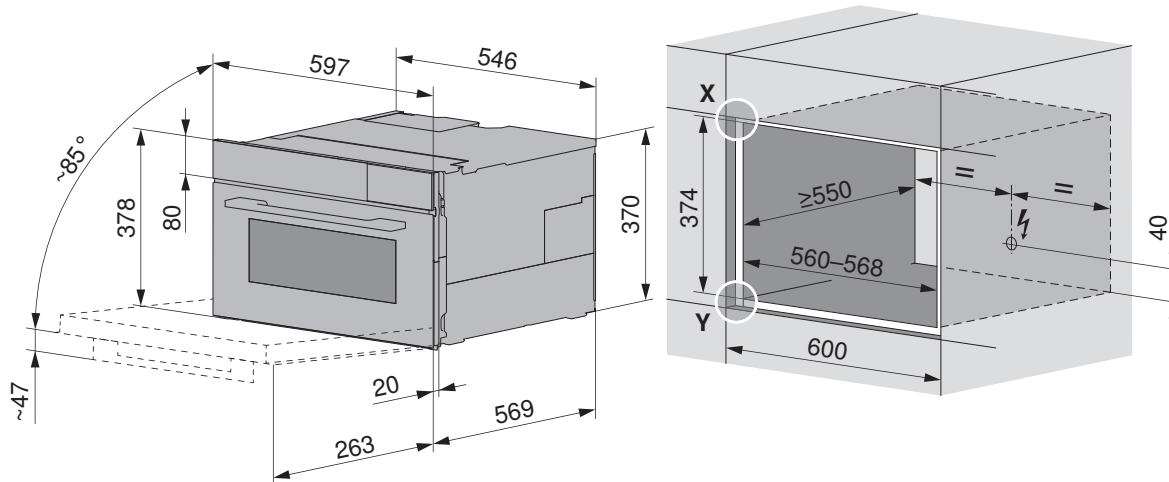


Front dimensions of the appliances: Detail X/Y (see page 12)

CombiSteamer/Steamer

Steamer V4000 38, niche height 381

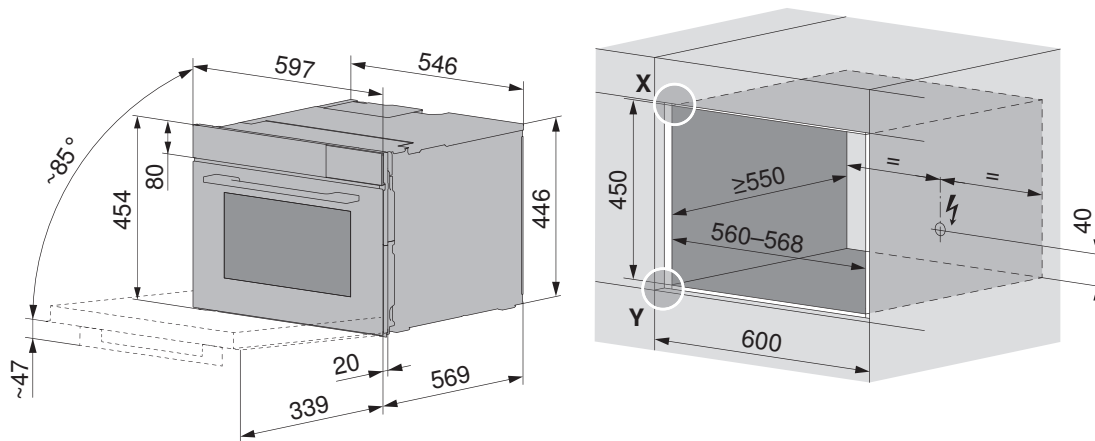
Valid for the following model: 23025



Front dimensions of the appliances: Detail X/Y (see page 12)

CombiSteamer V6000 45M PowerSteam, CombiSteamer V4000/V6000 45 and Steamer V4000 45, niche height 450

Valid for the following models: 23026, 23031, 23032, 23041, 23043, 23047

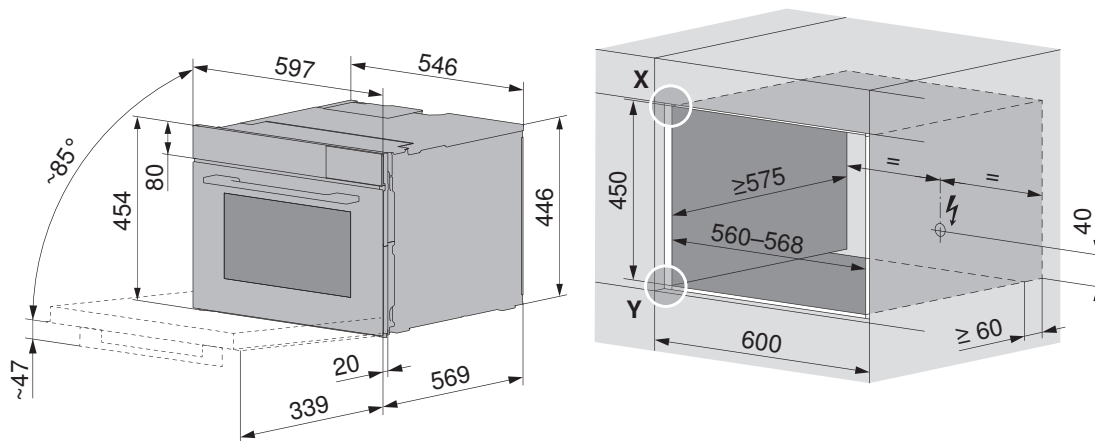


Front dimensions of the appliances: Detail X/Y (see page 12)

CombiSteamer with fixed water connection

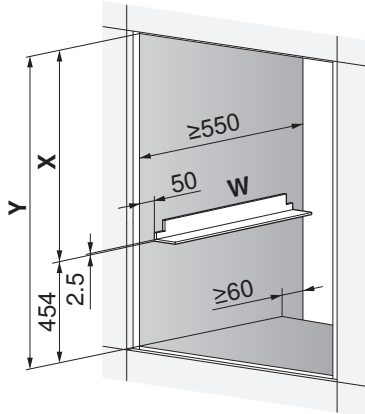
CombiSteamer V6000 45F, niche height 450

Valid for the following models: 23033, 23045

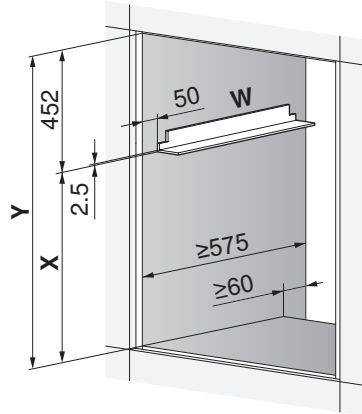


Front dimensions of the appliances: Detail X/Y (see page 12)

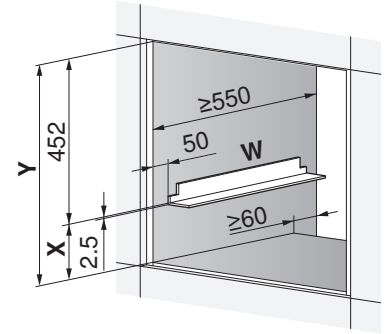
Below second appliance



Above second appliance



Above warming drawer



X = Height of second appliance

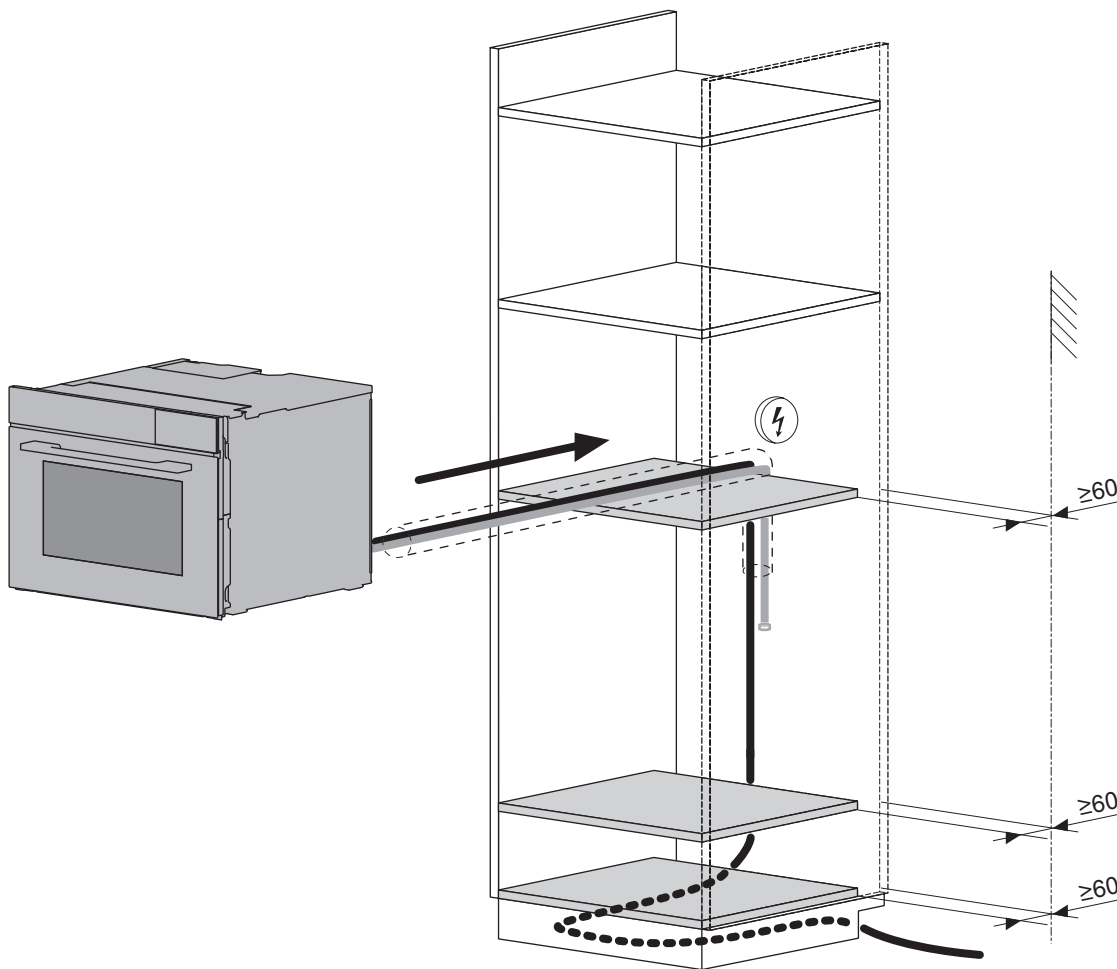
Y = Niche height

W = Angle set K50572

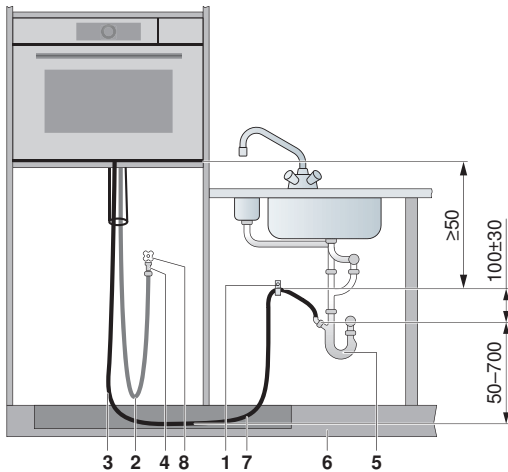


For an installation depth of under 575 mm, it is recommended that the appliance be installed below other appliances for space reasons.
 If installing with a second appliance in the same niche, use the angle set W (K50572).

Installation



Plumbing in



- 1 Hose clamp
- 2 Reinforced inlet hose 2 m, G^{3/4}"
- 3 Drain hose 3 m, internal diameter of connection 22 mm
- 4 Backflow preventer

On-site installations

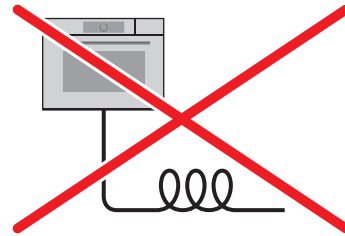
- 5 Drain trap
- 6 Plinth panel
- 7 Hose fed through plinth
- 8 Cold water connection with stopcock

Drain

- Length of drain hose: 3 m. An optional 5 m drain hose (Art. no. 1012933) can be ordered if required.



The mounted drain hose must not be lengthened or shortened. The drop from the bottom of the appliance to the drain trap must be at least 50 mm. Install the drain hose without kinks and without any pressure or tension on it.

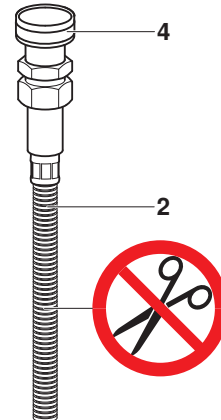


Cold water connection inlet

Operating pressure: 0.1–1.0 MPa (1–10 bar)
 Only use if water hardness >3° French hardness (>1.7° German Hardness).
 Length of reinforced hose: 2 m



Observe local water authority regulations. Existing hoses that are defective must be replaced. The inlet hose must not be shortened or damaged. Should the flexible inlet hose not be long enough, then a rigid extension of the on-site installation is required. The stopcock must be accessible at all times.



Due to a standards requirement, the appliances must be connected to the drinking water supply by means of the backflow preventer (1278183) supplied.

3 Ovens

3.1 General notes



Efficient repairs can only be guaranteed if it is possible to uninstall the whole appliance at any time without causing any damage.

The niche and gap dimensions given below must be observed to ensure proper ventilation.

3.2 Electrical connection data



General information on the electrical connections and an overview of the positions can be found in section Overview of connections, ranges and dimensions (see page 5).

Appliance	Model number	Country group *	Mains connection	Fuse	Connection cable	Mains cable
Combair V2000 45	21048	A, E, F	220–240 V~ 50 Hz	16 A	3400 W	min. 1.8 m, with plug
Combair V4000 45/45P	21049, 21058					
Combair V6000 45/45P	21050, 21059, 21067, 21070					
Combair V2000 60	21043					
Combair V4000 60/60P	21045, 21055					
Combair V6000 60/60P	21047, 21057, 21068, 21073					
Combair V2000 45	21048	B, C, D	220–240 V~ 50 Hz	16 A	3400 W	min. 1.8 m, without plug
Combair V4000 45/45P	21049, 21058					
Combair V6000 45/45P	21050, 21059, 21067, 21070					
Combair V2000 60	21043					
Combair V4000 60/60P	21045, 21055					
Combair V6000 60/60P	21047, 21057, 21068, 21073					
Combair V600 60	21128	A, F	220–240 V~ 50 Hz	16 A	3300 W	min. 1.8 m, with plug
		B, C, D				min. 1.8 m, without plug

* Country group (see page 2)



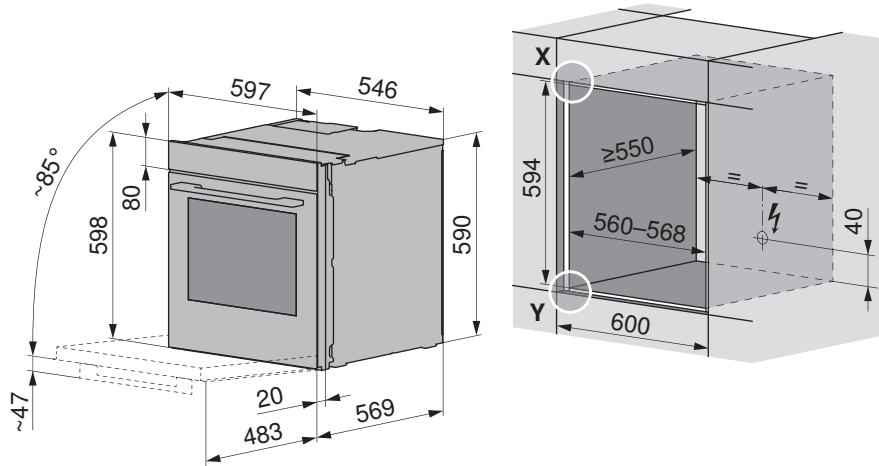
The fixed adapter (article no. 1245010) must be used in conjunction with the type K socket to ensure the safety of the product (earthing). Is supplied with appliances for Denmark (see page 151).

3.3 Excellence Line 60 cm

Oven

Comhair V2000 60, Comhair V4000/V6000 60/60P, niche height 600

Valid for the following models: 21043, 21045, 21047, 21055, 21057, 21068, 21073

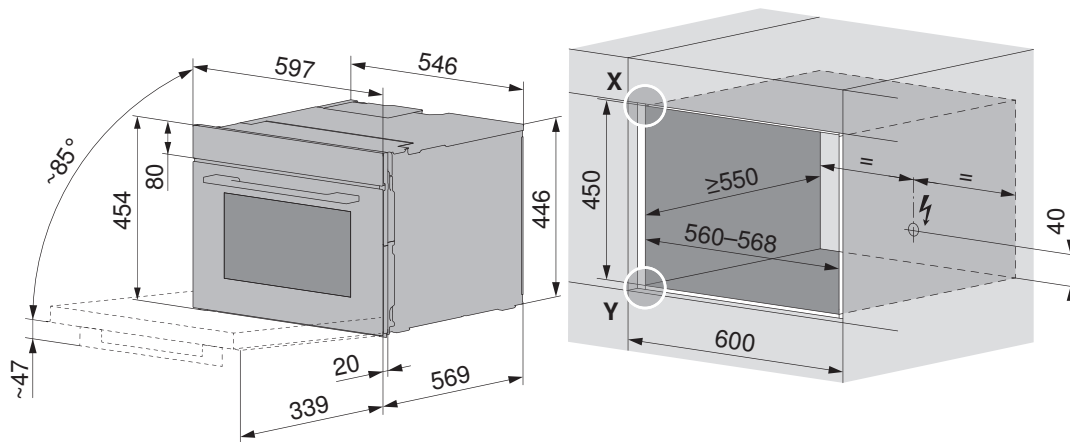


Front dimensions of the appliances: Detail X/Y (see page 12)

Compact oven

Comhair V2000 45, Comhair V4000/V6000 45/45P, niche height 450

Valid for the following models: 21048-21050, 21058, 21059, 21067, 21070



Front dimensions of the appliances: Detail X/Y (see page 12)

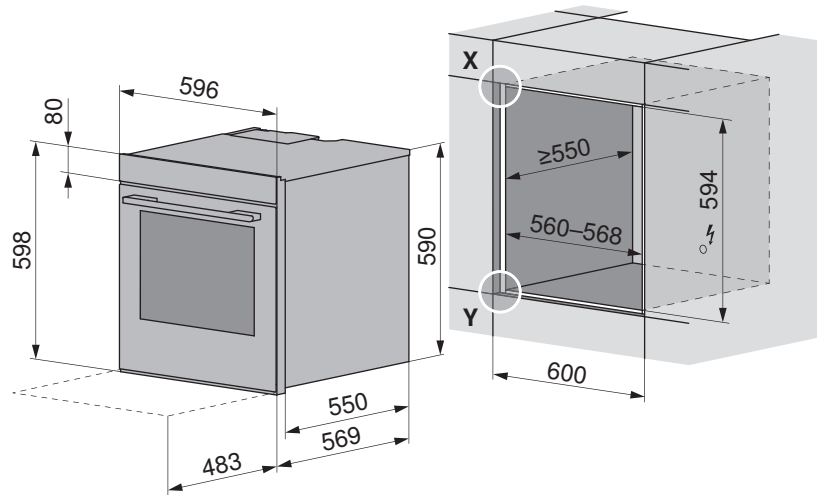


3.4 Advanced Line 60 cm

Oven

Comhair V600 60, niche height 600

Valid for the following model: 21128



Front dimensions of the appliances: Detail X/Y (see page 13)

4 Vacuum drawers, warming drawers & system drawers

4.1 General notes



Efficient repairs can only be guaranteed if it is possible to uninstall the whole appliance at any time without causing any damage.

4.2 Electrical connection data



Plan a separate inlet for the electrical connection for each appliance.



General information on the electrical connections and an overview of the positions can be found in section Overview of connections, ranges and dimensions (see page 5).

Appliance	Mains connection	Fuse	Rated load	Mains cable
Vacuum drawers	220–240 V~ 50 Hz	10 A	320 W	1.7 m, with plug
Warming drawers			810 W	



The fixed adapter (article no. 1245010) must be used in conjunction with the type K socket to ensure the safety of the product (earthing). Is supplied with appliances for Denmark (see page 151).

4.3 Vacuum drawers



The Angle set for combination possibilities and Anti-tip set for VacuDrawer V6000 (see page 153) are not included in the scope of delivery. Anti-tip set for VacuDrawer V6000 (see page 153) An Anti-tip set for VacuDrawer V6000 (see page 153) must be ordered if there is a **coffee-center** or **no** appliance is installed above the vacuum drawer.

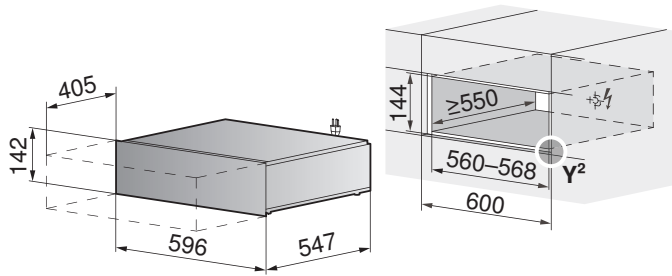


For installation next to warming drawer, order Trim kit (edge protection) (see page 152) at the same time.

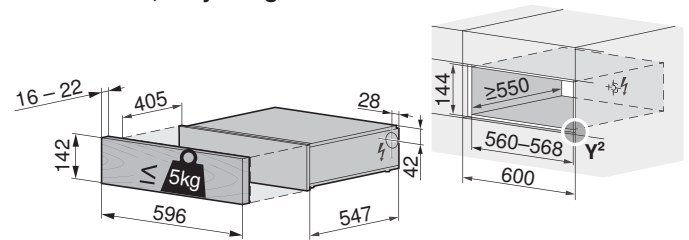


For installation with a CombiSteamer with fixed water connection, an installation depth of ≥ 575 mm must be taken into account (see page 16).

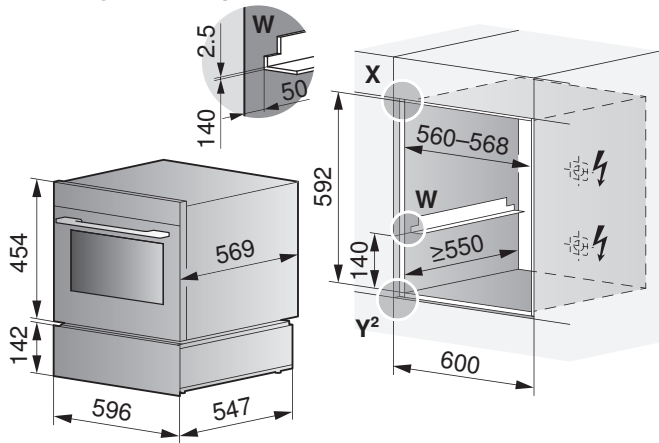
VacuDrawer V6000 (36004)
Built-in solo



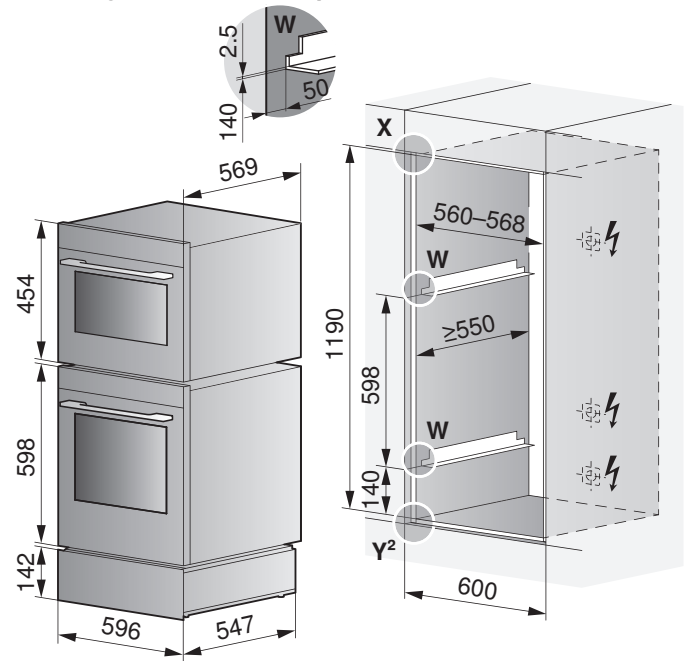
VacuDrawer V6000 (36005)
Built-in solo, fully integrated



Installing with compact oven or steamer



Installing with oven & compact oven or steamer



Front dimensions of the appliances: Detail X/Y² (see page 12)

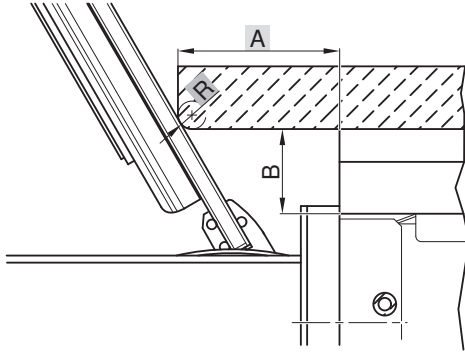
Installing the vacuum drawer below the kitchen worktop correctly



Do not install appliance behind a cabinet door.

If the kitchen worktop protrudes too far out from the cabinet, it could collide with the **glass lid** of the vacuum drawer. Observe the dimensions table.

Design integrated

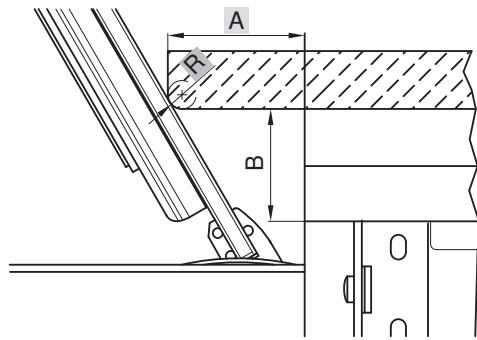


		R [mm]					
		0	2	4	6	8	10
A [mm]	36	5.528					
	38	8.992	7.528	6.064			
	40	12.456	10.992	9.528	8.064	6.600	5.136
	42	15.920	14.456	12.992	11.528	10.064	8.600
	44	19.384	17.920	16.456	14.992	13.528	12.064
	46	22.848	21.384	19.920	18.456	16.992	15.528
	48	26.313	24.848	23.384	21.920	20.456	18.992
	50	29.777	28.313	26.848	25.384	23.920	22.456
	52	33.241	31.777	30.313	28.848	27.384	25.920
	54	36.705	35.241	33.777	32.313	30.848	29.384
	56	40.169	38.705	37.241	35.777	34.313	32.848
	58	43.633	42.169	40.705	39.241	37.777	36.313
60	47.097	45.633	44.169	42.705	41.241	39.777	

B [mm]



Fully integrated



		R [mm]						
		0	2	4	6	8	10	
A [mm]	24	7.850	6.386					B [mm]
	26	11.314	9.850	8.386	6.922	5.458		
	28	14.778	13.314	11.850	10.386	8.922	7.458	
	30	18.243	16.778	15.314	13.850	12.386	10.922	
	32	21.707	20.243	18.778	17.314	15.850	14.386	
	34	25.171	23.707	22.243	20.778	19.314	17.850	
	36	28.635	27.171	25.707	24.243	22.778	21.314	
	38	32.099	30.635	29.171	27.707	26.243	24.778	
	40	35.563	34.099	32.635	31.171	29.707	28.243	
	42	39.027	37.563	36.099	34.635	33.171	31.707	
	44	42.491	41.027	39.563	38.099	36.635	35.171	
	46	45.955	44.491	43.027	41.563	40.099	38.635	
48	49.419	47.955	46.491	45.027	43.563	42.099		

Special installation situations can be obtained here.



4.4 Warming drawers

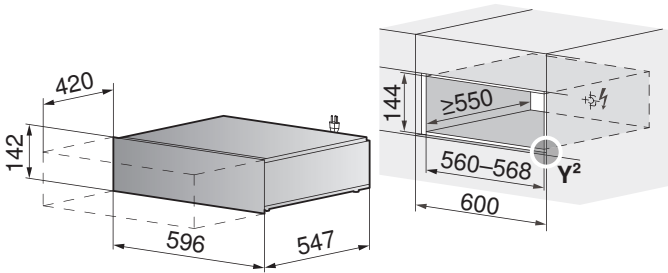


The Angle set for combination possibilities (see page 152) is not included in the scope of delivery. Order angle set K50572 at the same time.

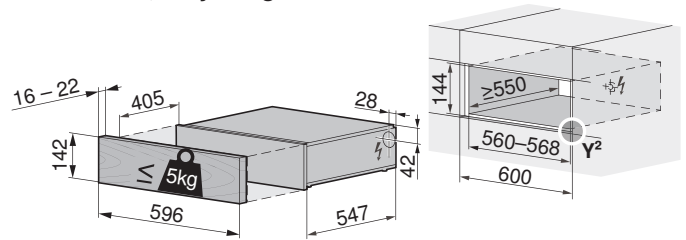


For installation with a CombiSteamer with fixed water connection, an installation depth of ≥ 575 mm must be taken into account (see page 16).

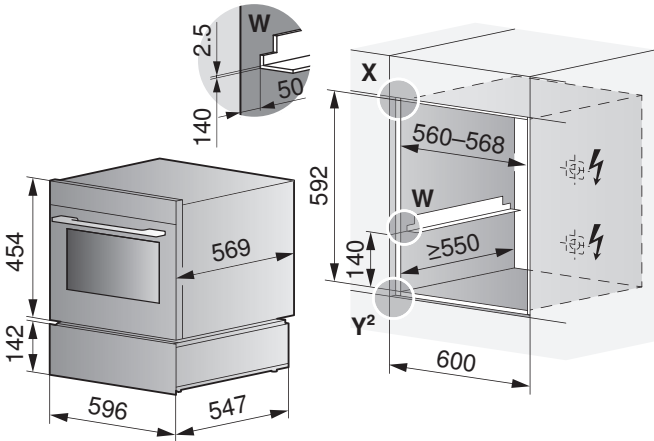
WarmingDrawer V4000 14 (34026) Built-in solo



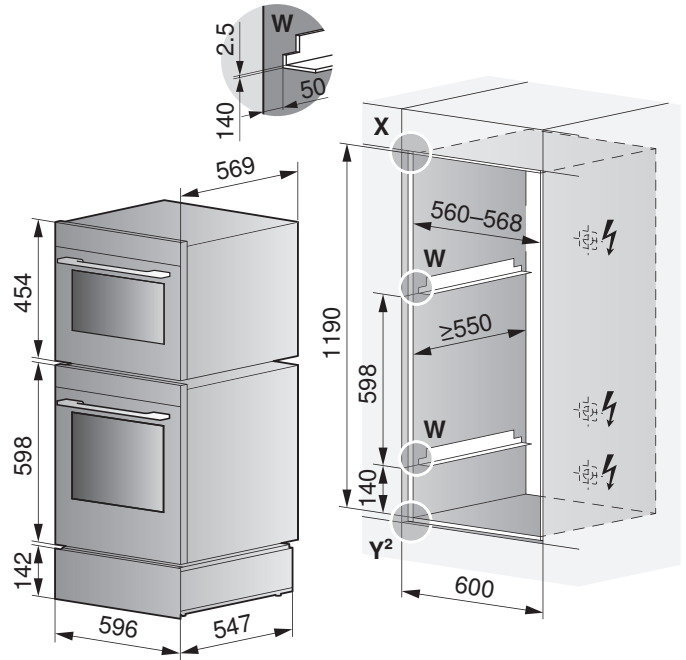
WarmingDrawer V4000 14 (34027) Built-in solo, fully integrated



Installing with compact oven or steamer



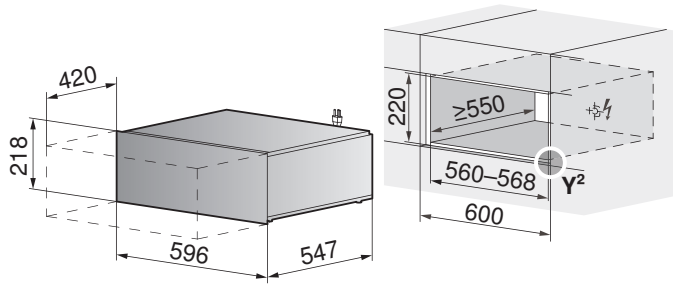
Installing with oven & compact oven or steamer



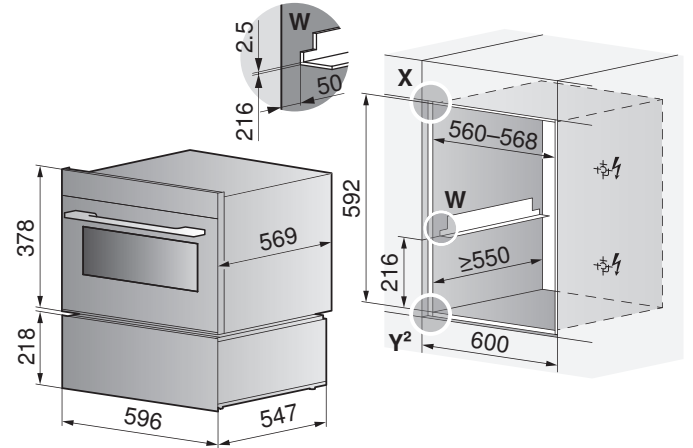
Front dimensions of the appliances: Detail X/Y² (see page 12)

WarmingDrawer V4000 22 (34029)

Built-in solo

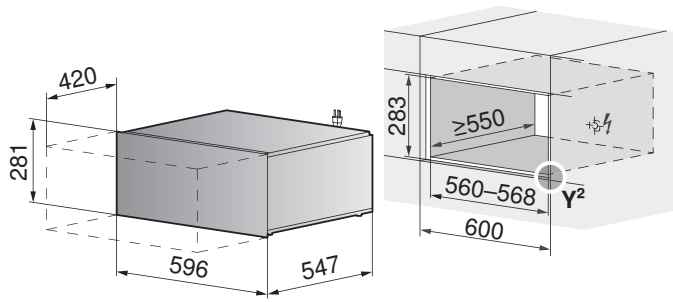


Installing with microwave oven or steamer

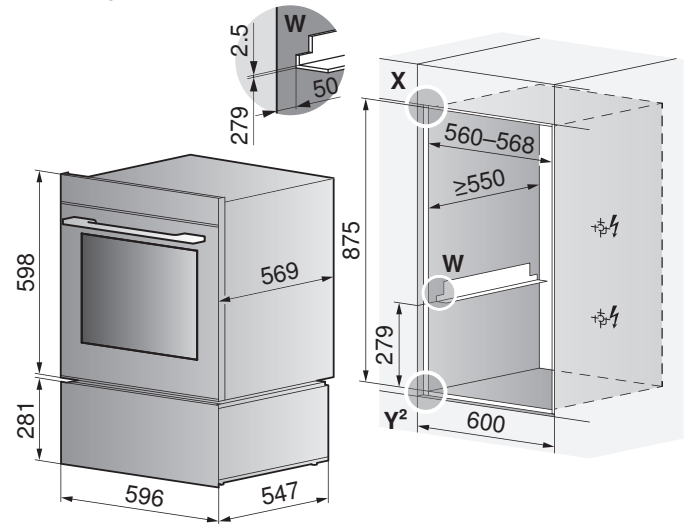


WarmingDrawer V4000 28 (34030)

Built-in solo



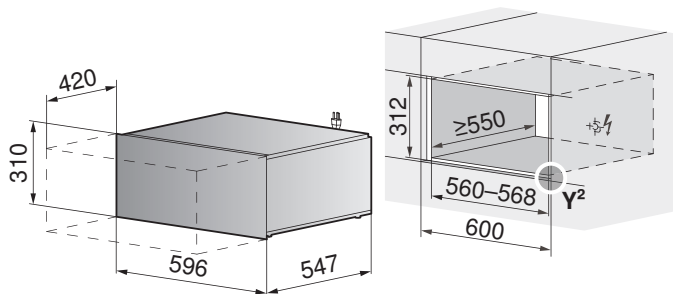
Installing with oven



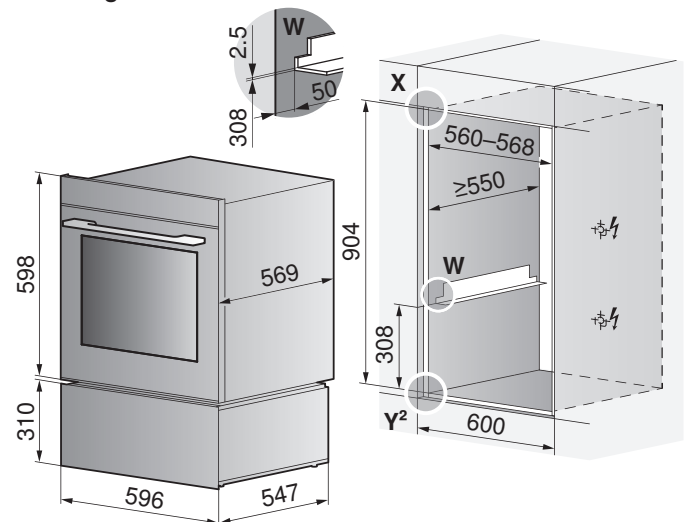
Front dimensions of the appliances: Detail X/Y² (see page 12)

WarmingDrawer V4000 31 (34031)

Built-in solo



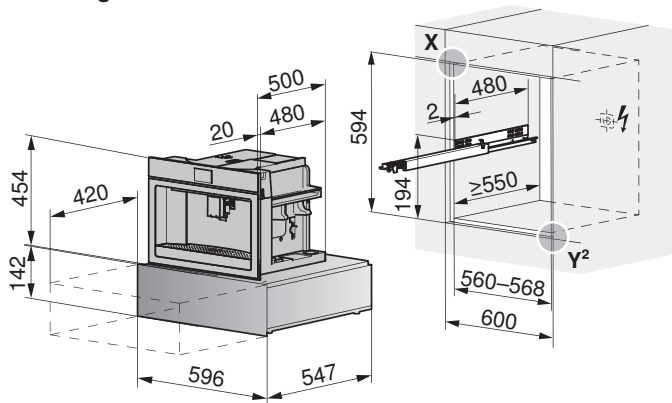
Installing with oven



Front dimensions of the appliances: Detail X/Y² (see page 12)

4.5 System drawers

Drawer V2000 14 (35005) Installing with coffee-center



Front dimensions of the appliances: Detail X/Y² (see page 12)



The telescopic runner for the assembly and operation of the coffee-center is included in the scope of delivery of the coffee-center.

5 Microwaves

5.1 General notes



Efficient repairs can only be guaranteed if it is possible to uninstall the whole appliance at any time without causing any damage.

5.2 Electrical connection data



General information on the electrical connections and an overview of the positions can be found in section Overview of connections, ranges and dimensions (see page 5).

Appliance	Country group *	Mains connection	Fuse	Rated load	Mains cable
CombiMiwell V4000 45 (24025)	A, B, C, D, E	220–240 V~ 50 Hz	16 A	3600 W	1.5 m, without plug
CombiMiwell V4000 45 (24025)	F	220–240 V~ 50 Hz	16 A	3600 W	1.5 m, with plug
CombiMiwell V2000 38 (24021)	A	230 V~ 50 Hz	16 A	2700 W	1.5 m, without plug
Miwell V600 38 (24019)	A, C, E, F	230 V~ 50 Hz	10 A	1450 W	1.5 m, with plug

* Country group (see page 2)



The fixed adapter (article no. 1245010) must be used in conjunction with the type K socket to ensure the safety of the product (earthing). Is supplied with appliances for Denmark (see page 151).

5.3 Microwaves with niche width 60 cm

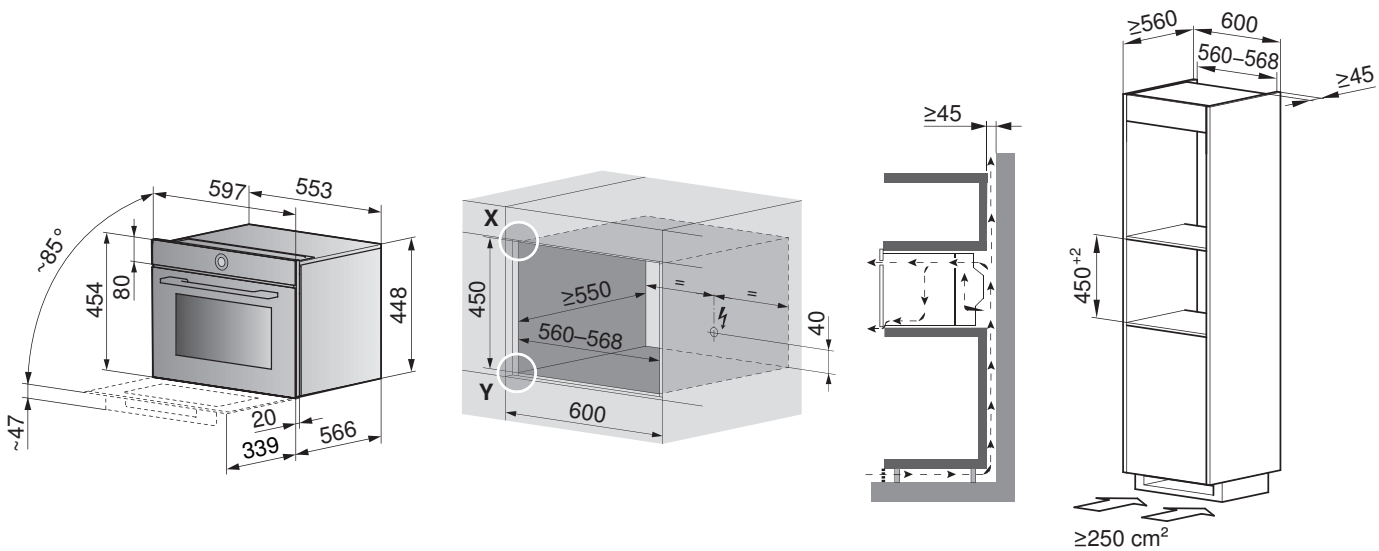


Minimum installation height for child safety: Keep 850 mm distance from the floor to the bottom edge of the microwave oven!

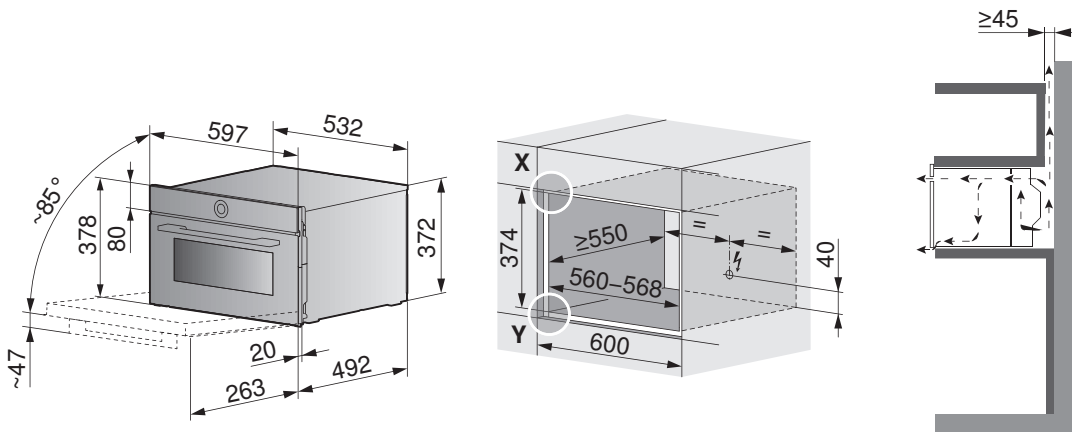


Niche ventilation can also be provided through a shadow gap with an appropriate cross-section. For more information, see the Niche ventilation (see page 138) section.

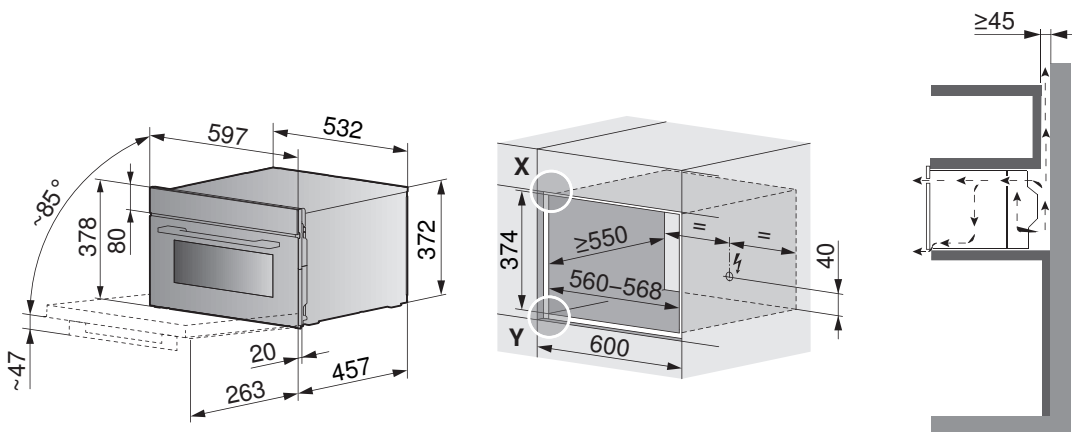
CombiMiwell V4000 45 (24025)



CombiMiwell V2000 38 (24021)



Miwell V600 38 (24019)



Front dimensions of the appliances: Detail X/Y (see page 12)



6 Automatic built-in coffee machines

6.1 General notes



Efficient repairs can only be guaranteed if it is possible to uninstall the whole appliance at any time without causing any damage.

6.2 Electrical connection data



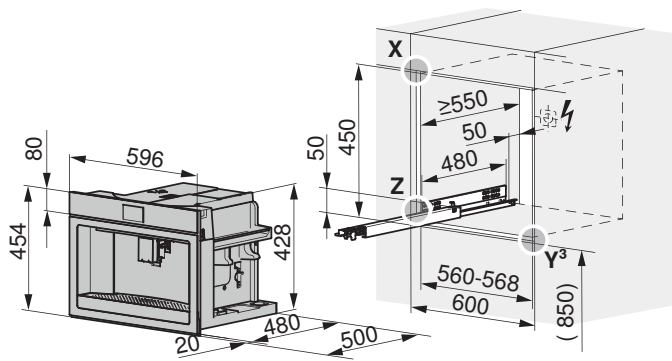
General information on the electrical connections and an overview of the positions can be found in section Overview of connections, ranges and dimensions (see page 5).

Mains connection	Fuse	Rated load	Mains cable
220–240 V~ 50–60 Hz	10 A	1350 W	1.5 m, with plug

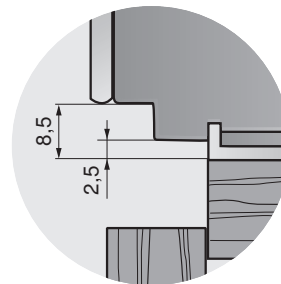


The fixed adapter (article no. 1245010) must be used in conjunction with the type K socket to ensure the safety of the product (earthing). Is supplied with appliances for Denmark (see page 151).

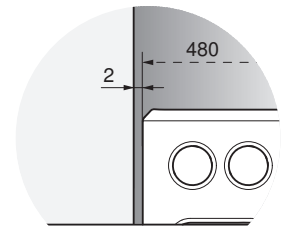
6.3 CoffeeCenter V6000 45 (25005)



Detail Y³



Detail Z



Front dimensions of the appliances: Detail X (see page 12)

7 Combination possibilities



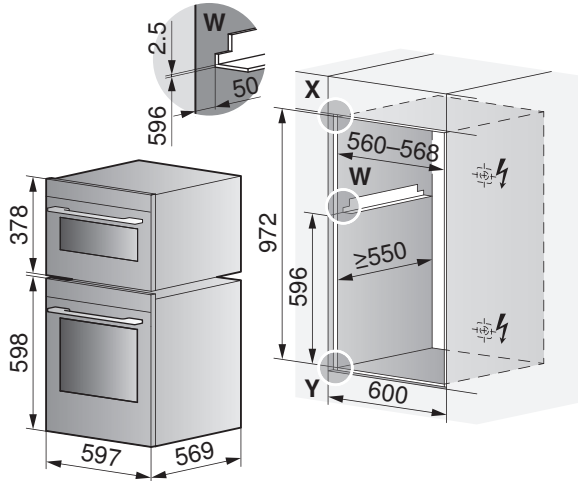
General information on the electrical connections and an overview of the positions can be found in section **Overview of connections, ranges and dimensions** (see page 5).

7.1 Oven & steamer

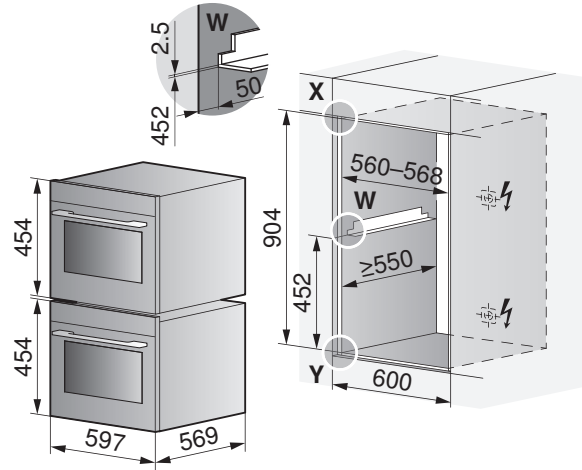


If installing with a second appliance in the same niche, use angle set **W** (K50572). The mounting angles are not included in the scope of delivery.

Oven/Steamer & steamer

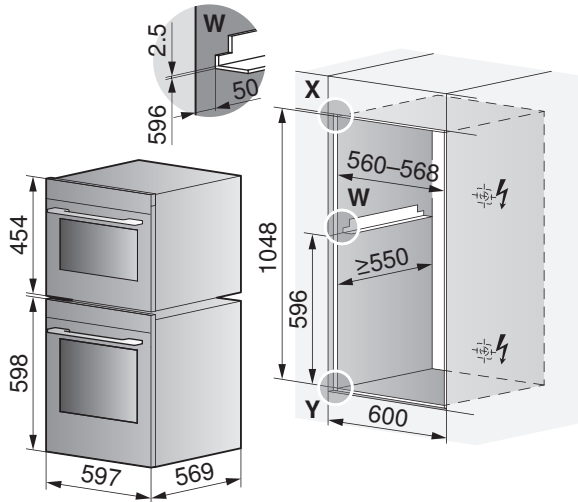


Compact oven & steamer

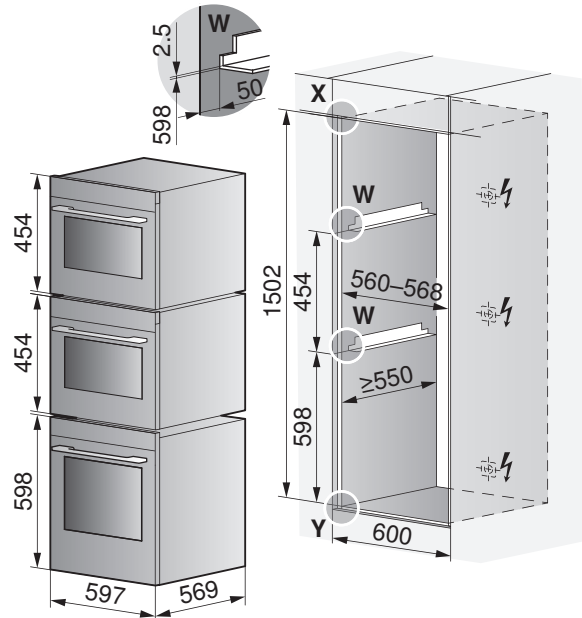


Front dimensions of the appliances: Detail X/Y (see page 12)

Oven/Steamer & compact oven / steamer



Oven/Steamer & compact oven & steamer

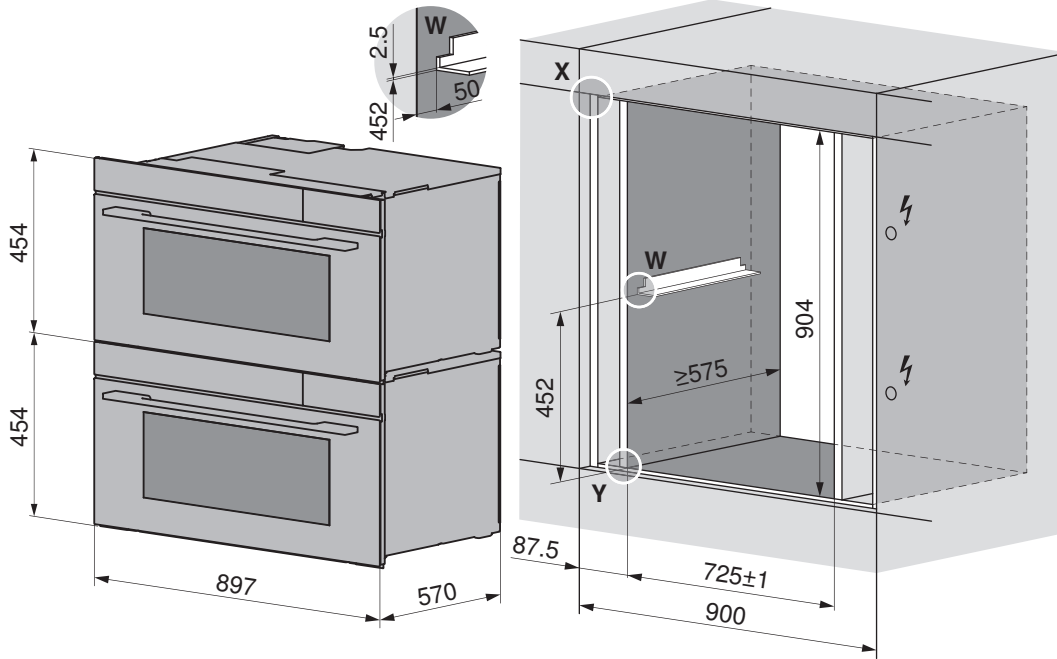


Front dimensions of the appliances: Detail X/Y (see page 12)



If installing with a second appliance in the same niche, use angle set **W** (K50572). The mounting angles are not included in the scope of delivery.

CombiSteamer V6000 45L Grand – Installation in double niche



Front dimensions of the appliances: Detail X/Y (see page 12)

7.2 Oven & microwave oven



Minimum installation height for child safety: Keep 850 mm distance from the floor to the bottom edge of the microwave oven!

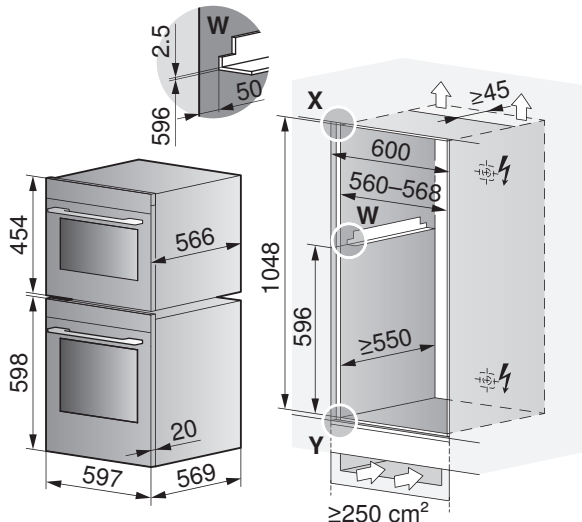


Niche ventilation can also be provided through a shadow gap with an appropriate cross-section. For more information, see the Niche ventilation (see page 138) section.

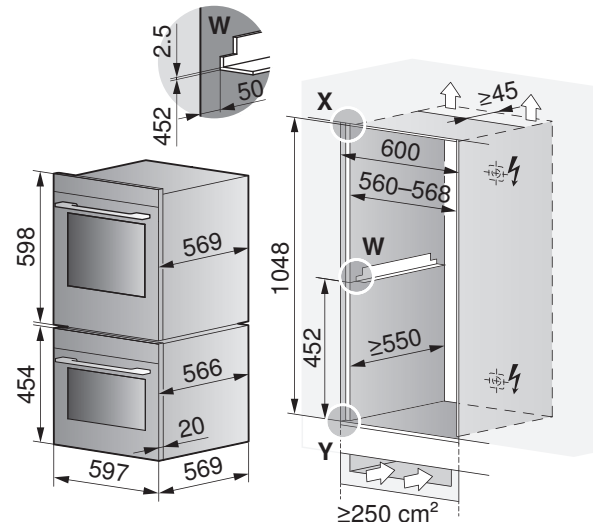


If installing with a second appliance in the same niche, use angle set **W** (K50572). The mounting angles are not included in the scope of delivery.

CombiMiwell V4000 45 & oven/steamer



CombiMiwell V4000 45 & oven/steamer

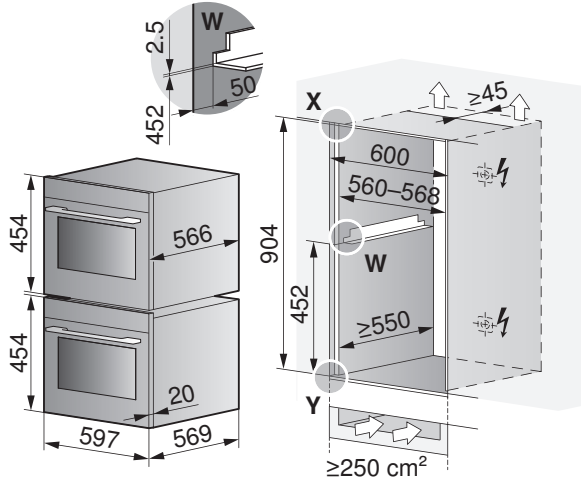


Front dimensions of the appliances: Detail X/Y (see page 12)



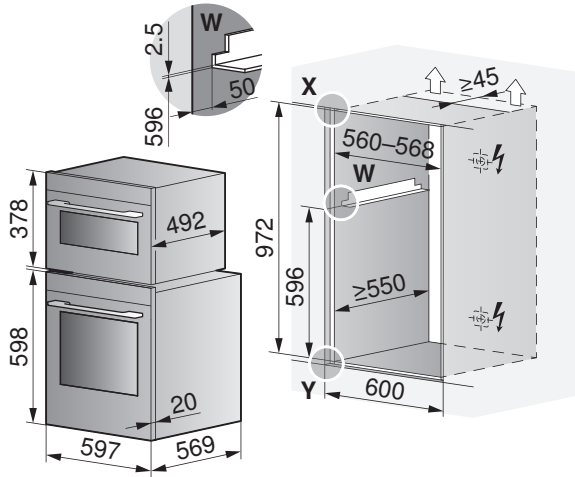
If installing with a second appliance in the same niche, use angle set **W** (K50572). The mounting angles are not included in the scope of delivery.

CombiMiwell V4000 45 & mini oven / steamer



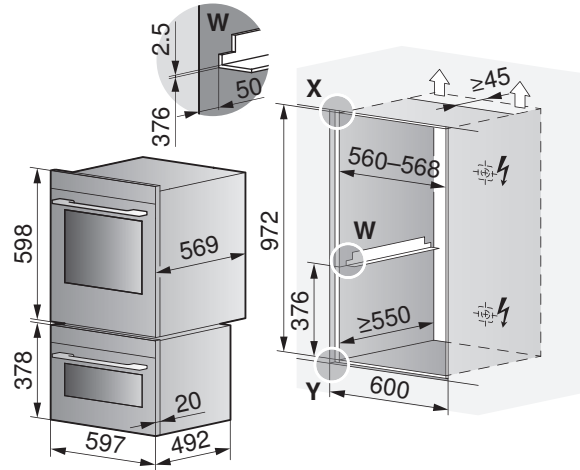
Front dimensions of the appliances: Detail X/Y (see page 12)

CombiMiwell V2000 38 & oven/steamer

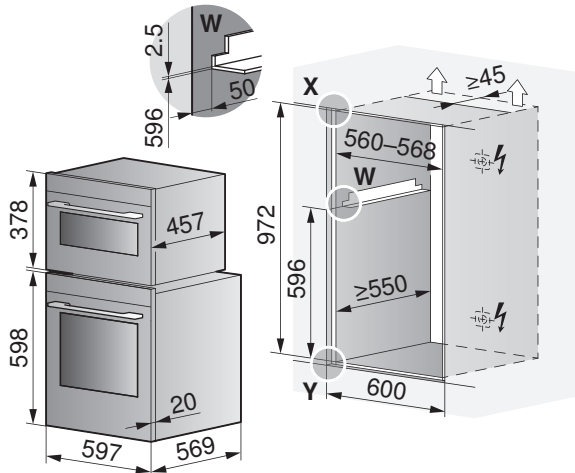


Front dimensions of the appliances: Detail X/Y (see page 12)

CombiMiwell V2000 38 & oven/steamer

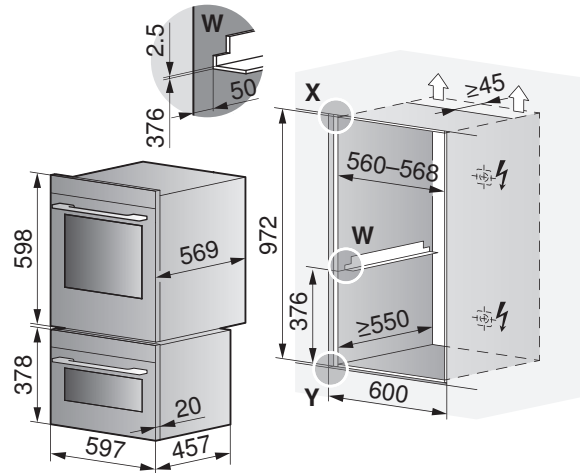


Miwell V600 38 & oven/steamer



Front dimensions of the appliances: Detail X/Y (see page 12)

Miwell V600 38 & oven/steamer

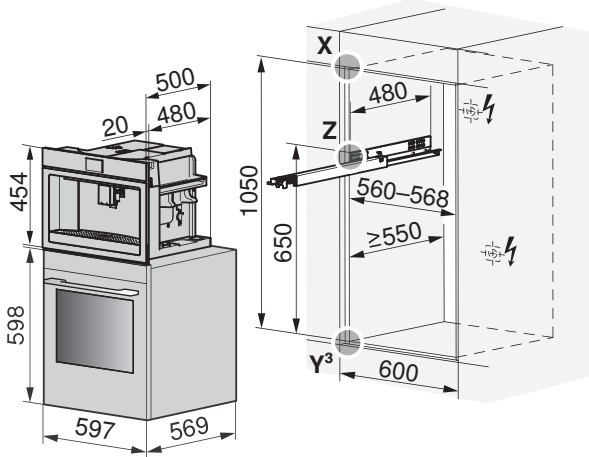


7.3 Oven & automatic built-in coffee machine

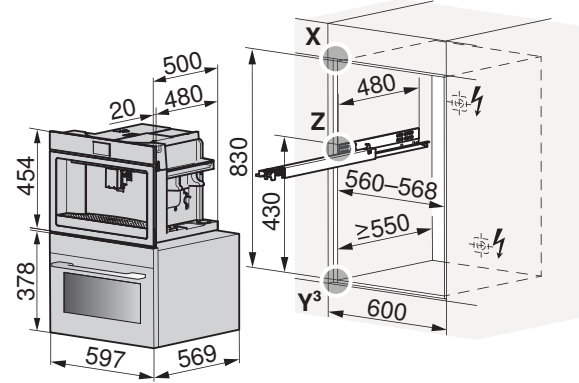


The telescopic runner for the assembly and operation is included in the scope of delivery.

CoffeeCenter V6000 45 & oven/steamer

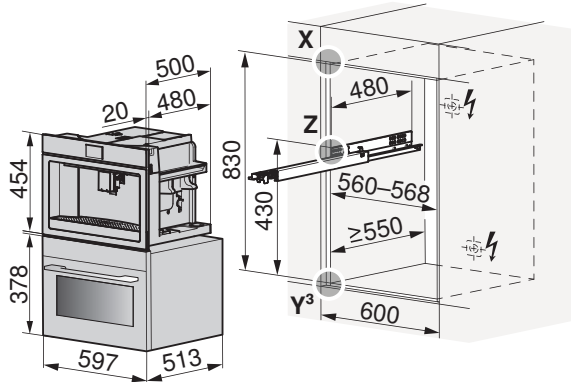


CoffeeCenter V6000 45 & steamer

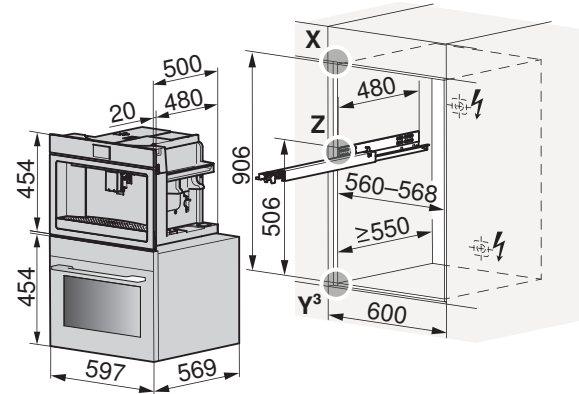


Front dimensions of the appliances: Detail X (see page 12)
 Internal dimension of the appliance: Detail Y³/Z (see page 31)

CoffeeCenter V6000 45 & Miwell HSL



CoffeeCenter V6000 45 & compact oven / steamer



Front dimensions of the appliances: Detail X (see page 12)
 Internal dimension of the appliance: Detail Y³/Z (see page 31)

8 CookTop glass ceramic hobs

8.1 General notes



Induction hobs require adequate ventilation (see page 37).

If a drawer is installed directly underneath, a protective plate is recommended in the vicinity of the mains cable and to protect the ventilation openings. The ventilation protective plate set can be used for this purpose. Accessories (see page 154).



Efficient repairs can only be guaranteed if it is possible to uninstall the whole appliance at any time without causing any damage.

The layout of the hobs to be installed may differ from the hobs illustrated here!

8.2 OptiGlass coating

Halogen or LED light bulbs are recommended for illuminating hobs with the OptiGlass coating. The use of fluorescent tube lighting to illuminate hobs with the OptiGlass coating causes the glass surface to shimmer.

8.3 Electrical connection data



General information on the electrical connections and an overview of the positions can be found in section Overview of connections, ranges and dimensions (see page 5).

Appliance	Country group *	Mains connection	Fuse	Rated load	Mains cable
CookTop Teppan Yaki I40	A, B, C, D, E, F	220–240 V~ 50–60 Hz	16 A	2800 W	1.7 m, without plug
CookTop V2000 I302, CookTop V4000 I302/I402				3700 W	
CookTop V2000 I604/I804, CookTop V4000 I604/I704/I804	A, E	380–415 V 2N~ 50–60 Hz	16 A	7400 W	
	B, C, D, F	220–240 V~ 50–60 Hz	32 A		
CookTop V4000 I904	A, D, E	380–415 V 3N~ 50–60 Hz	16 A	11100 W	
	B, C, D, F	220–240 V~ 50–60 Hz	32 A	7400 W	
CookTop V6000 I905	A, B, C, D, E	380–415 V 3N~ 50–60 Hz	16 A	11100 W	
	A, B, C, E	220–240 V~ 50–60 Hz	48 A		
CookTop V6000 I906 FullFlex	A, B, C, D, E	380–415 V 3N~ 50–60 Hz	16 A	11100 W	
	A, E	380–415 V 2N~ 50–60 Hz	16 A	7400 W	
	B, C, F	220–240 V~ 50–60 Hz	48 A	11100 W	
CookTop V6000 I705 FullFlex	A, E	380–415 V 2N~ 50–60 Hz	16 A	7400 W	
	B, C, D, F	220–240 V~ 50–60 Hz	32 A		
CookTop V6000 A905	A	380–415 V 3N~ 50–60 Hz	16 A	10300 W	

* Country group (see page 2)

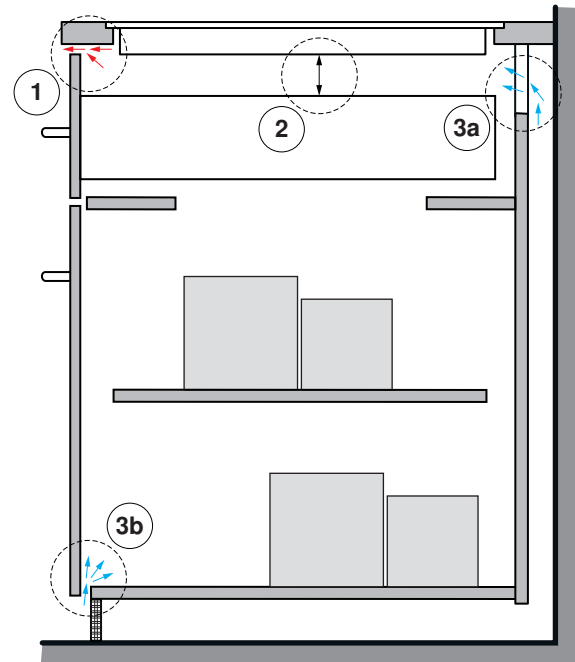


The fixed adapter (article no. 1245010) must be used in conjunction with the type K socket to ensure the safety of the product (earthing). Is supplied with appliances for Denmark (see page 151).

8.4 Ventilation

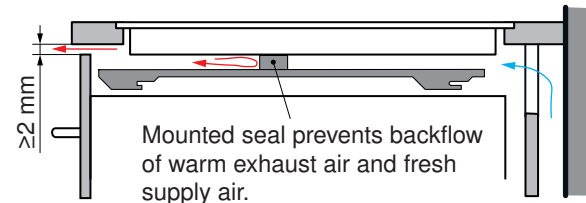
For installation of a V-ZUG induction hob, the following minimum requirements apply:

1. The hot air exhaust should be provided by a ventilation slit of ≥ 2 mm at the front.
2. A space of ≥ 10 mm in height is required beneath the appliance.
3. Not only exhaust air but also replacement air in the cabinet should be taken into account. There are different ways to do this, including:
 - a) The rear panel of the base unit must be open around the work surface cut-out to guarantee continuous air circulation through the ventilation slits. The air must be drawn in from outside the cabinet and be able to circulate freely from inside the cabinet to the hob. The lower plinth must not be hermetically sealed. This can be achieved through a shadow gap at the plinth panel or through the use of a ventilation grille.
 - b) Alternatively, a concealed fresh air supply can ensure air circulation inside the cabinet. In order that enough cold air can be drawn in, there must be a continuous circulation of fresh air that extends outside the cabinet. The lower drawer panel should therefore not hermetically seal the cabinet.



Recommendation

If the hob is being used at the power limit, a reduction in power after a certain amount of time is normal. All induction hobs available on the market can be observed to work in the same way. Should, through cooking behaviour, such an instance occur more often, performance can be improved by optimizing ventilation. To this end, the installation of a ventilation protective plate with seal is generally recommended (see page 54).



Ventilation protective plates only achieve the desired effect with the seal in place. The foam seals are available separately so that ventilation plates from other manufacturers can be retrofitted (see page 154).

8.5 Surface-mounted installation with «DualDesign»

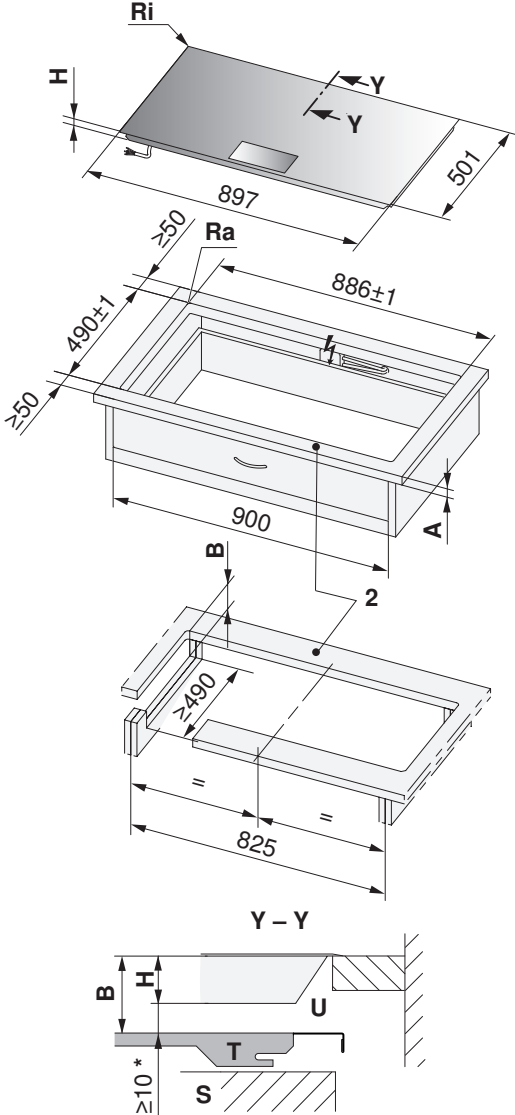


The installation of a ventilation protection plate with seal is strongly recommended.

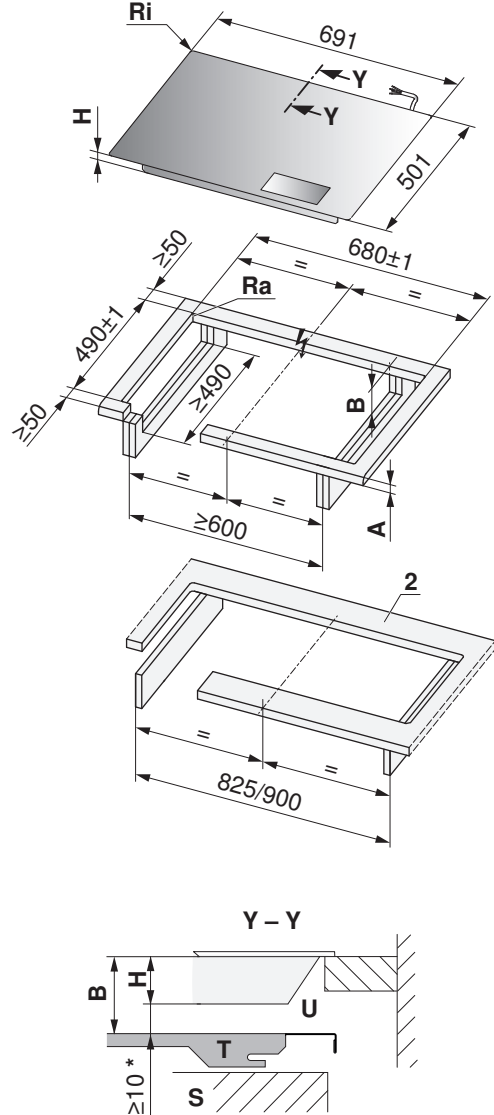


- Corner radii of cut-out, aim for ≤ 5 mm
- Corner radii of appliance 2 mm

CookTop V6000 I906 FullFlex (31134)



CookTop V6000 I705 FullFlex (31132)



* The required clearance must be observed!

2 Front and rear struts are reinforced on the underside. The strut width is determined by the producer of the stone worktop. The minimum strut width can vary according to the property of the stone.

Type	A Depends on producer	B	H	Corner radius Ra/Ri
CookTop V6000 I906 FullFlex, CookTop V6000 I705 FullFlex	≤ 40 mm	≥ 82 mm	72 mm	5/2 mm

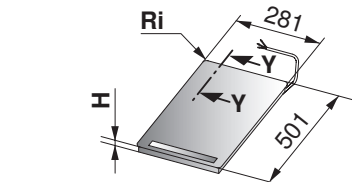
- A** Worktop depth
- B** Required clearance for service replacement over the entire cut-out area.
- H** Dimension from the top of the work surface to the underside of the hob
- Ra** Outer corner radii of cut-out
- Ri** Corner radii of appliance
- S** Drawer/Cabinet
- T** Ventilation protective plate
- U** Air inlet

Surface-mounted installation with «DualDesign»

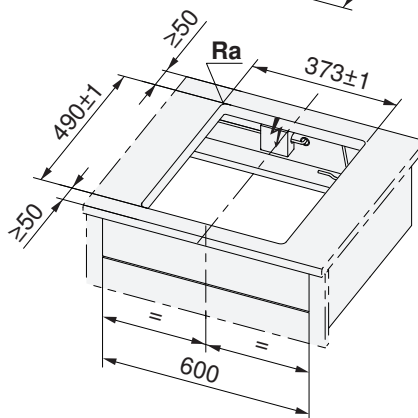
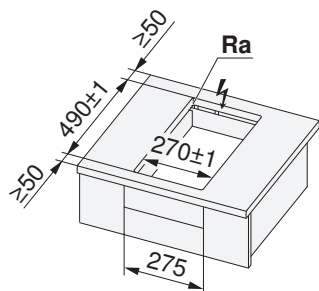
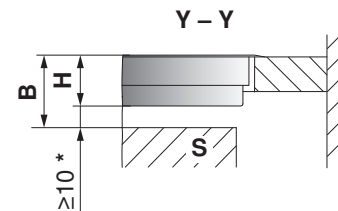
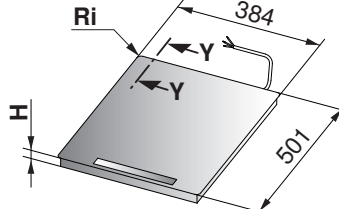


- Corner radii of cut-out, aim for ≤ 5 mm
- Corner radii of appliance 2 mm

**CookTop V2000 I302 (31177),
 CookTop V4000 I302 (31143)**



**CookTop V2000 I402 (31178),
 CookTop V4000 I402 (31144)**



* The required clearance must be observed!

Type	B	H	Corner radius Ra/Ri
CookTop V2000/V4000	≥ 61.7 mm	51.7 mm	5/2 mm

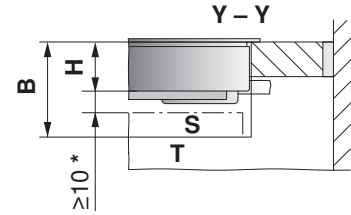
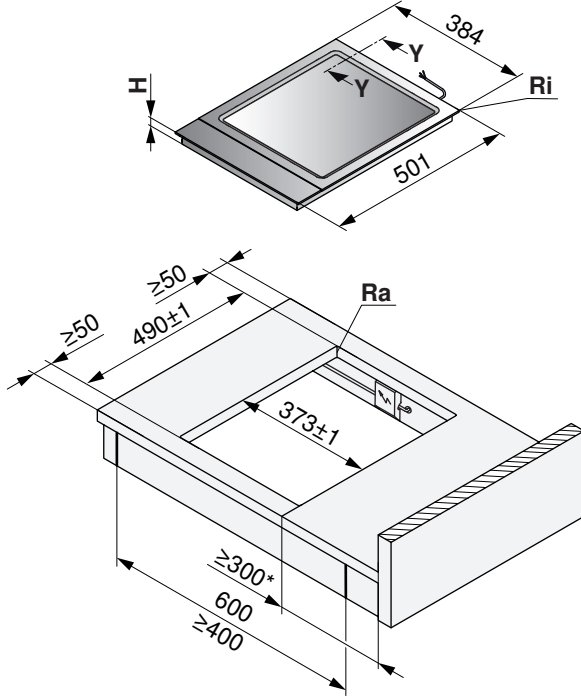
- B** Required clearance for ventilation and service replacement over the entire cut-out area.
- H** Dimension from the top of the work surface to the underside of the hob (ventilation opening)
- Ra** Outer corner radii of cut-out
- Ri** Corner radii of appliance
- S** Drawer/Cabinet

Surface-mounted installation with «DualDesign»



- Corner radii of cut-out, aim for ≤ 5 mm
- Corner radii of appliance 2 mm

CookTop Teppan Yaki I40 (31140)



* On both sides for technical reasons.

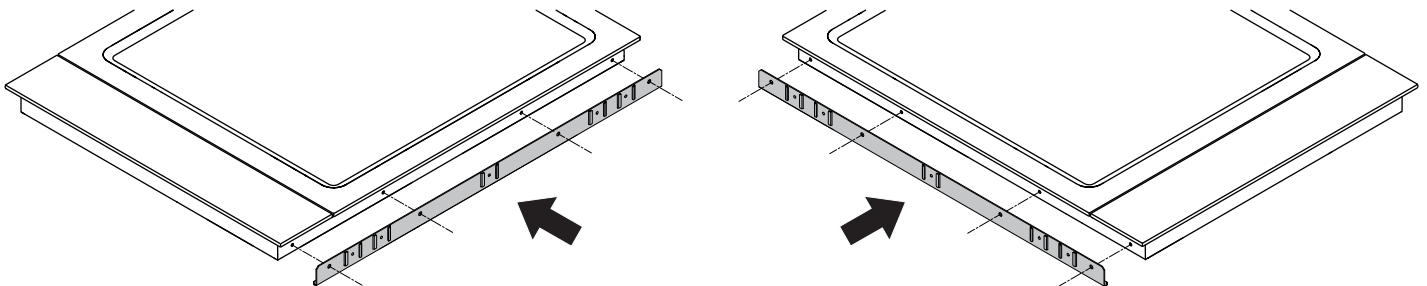
Type	B	H	Corner radius Ra/Ri
CookTop Teppan Yaki	≥ 74 mm	64 mm	0–5/2 mm

- B** Required clearance for ventilation and service replacement over the entire cut-out area.
- H** Dimension from the top of the work surface to the underside of the hob (ventilation opening)
- Ra** Outer corner radii of cut-out
- Ri** Corner radii of appliance
- S** Drawer/Cabinet
- T** Side wall

Combination installation

For surface-mounted combination installation, the side strip set 1028587 and the intermediate support 1014361 (stainless steel) or 1019199 (black) are needed.

- The side strips must be fixed on the left-hand and right-hand side of the appliance with four screws on each side.



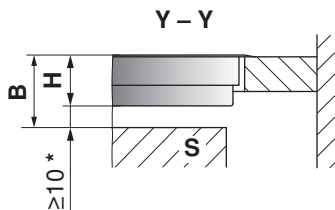
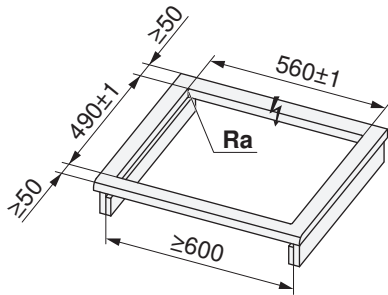
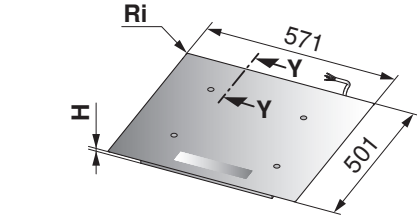
Surface-mounted combination installation is described in document 1013770.

Surface-mounted installation with «DualDesign»

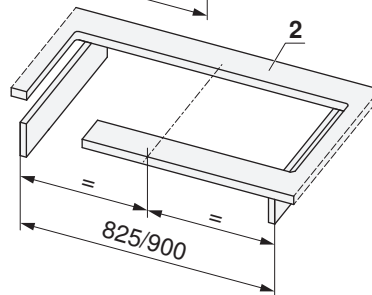
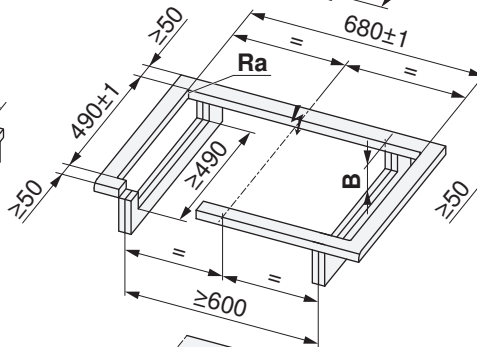
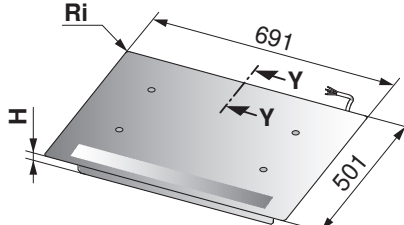


- Corner radii of cut-out, aim for ≤ 5 mm
- Corner radii of appliance 2 mm

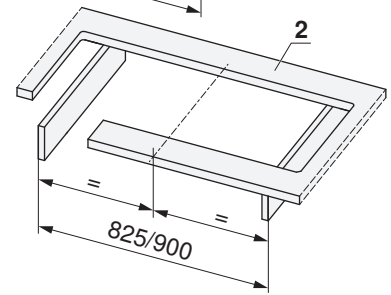
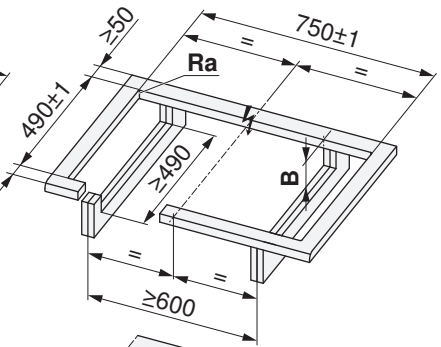
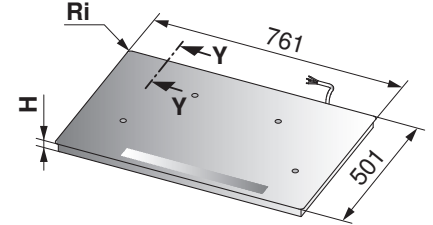
CookTop V2000 I604 (31179/31180),
 CookTop V4000 I604 (31115/31157)



CookTop V2000 I704 (31181),
 CookTop V4000 I704 (31116)



CookTop V2000 I804 (31182),
 CookTop V4000 I804 (31158)



* The required clearance must be observed!

2 Front and rear struts are reinforced on the underside. The strut width is determined by the producer of the stone worktop. The minimum strut width can vary according to the property of the stone.

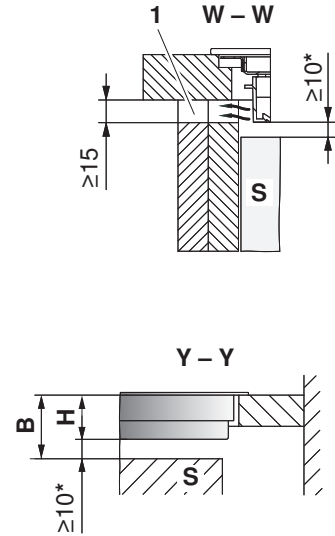
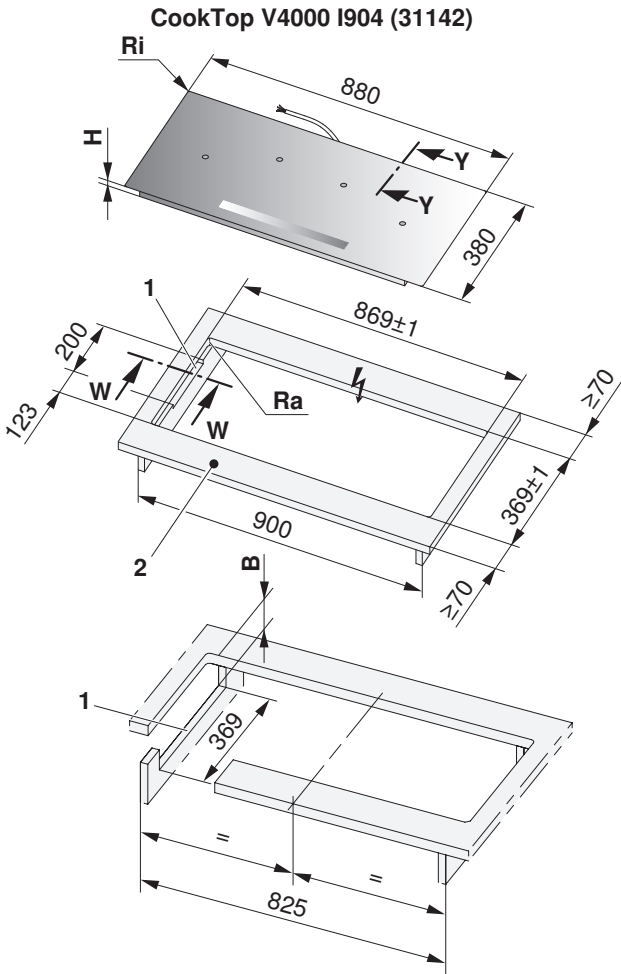
Type	B	H	Corner radius Ra/Ri
CookTop V2000 (31179–31182)	≥ 71 mm	47.7 mm	5/2 mm
CookTop V4000 (31115, 31116)	≥ 60 mm	50 mm	5/2 mm
CookTop V4000 (31157, 31158)	≥ 58 mm	48 mm	5/2 mm

- B** Required clearance for ventilation and service replacement over the entire cut-out area.
- H** Dimension from the top of the work surface to the underside of the hob (ventilation opening)
- Ra** Outer corner radii of cut-out
- Ri** Corner radii of appliance
- S** Drawer/Cabinet

Surface-mounted installation with «DualDesign»



- Corner radii of cut-out, aim for ≤ 5 mm
- Corner radii of appliance 2 mm



* The required clearance must be observed!

- 1 Mounting cut-outs in side walls left/right for a niche width of ≥ 900 mm, necessary for the ventilation of the appliance.
- 2 Front and rear struts are reinforced on the underside. The strut width is determined by the producer of the stone worktop. The minimum strut width can vary according to the property of the stone.

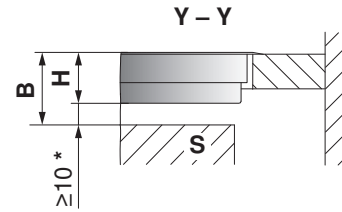
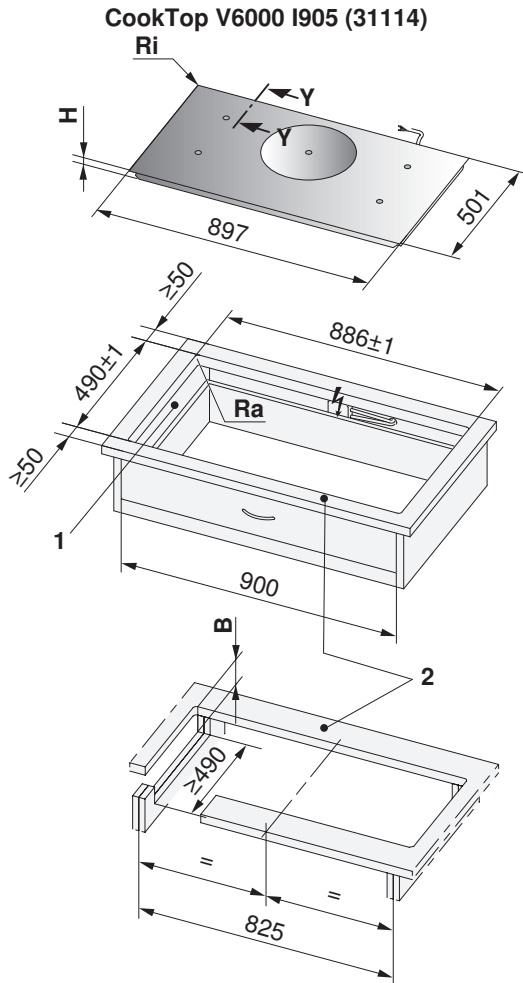
Type	B	H	Corner radius Ra/Ri
CookTop V4000	≥ 61 mm	51 mm	5/2 mm

- B** Required clearance for ventilation and service replacement over the entire cut-out area.
H Dimension from the top of the work surface to the underside of the hob (ventilation opening)
Ra Outer corner radii of cut-out
Ri Corner radii of appliance
S Drawer/Cabinet

Surface-mounted installation with «DualDesign»



- Corner radii of cut-out, aim for ≤ 5 mm
- Corner radii of appliance 2 mm



* The required clearance must be observed!

- 1 Mounting cut-outs in side walls left/right for a niche width of ≥ 900 mm, necessary for the ventilation of the appliance.
- 2 Front and rear struts are reinforced on the underside. The strut width is determined by the producer of the stone worktop. The minimum strut width can vary according to the property of the stone.

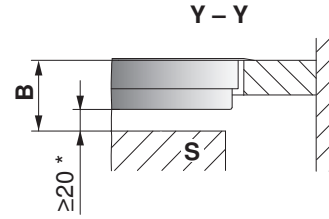
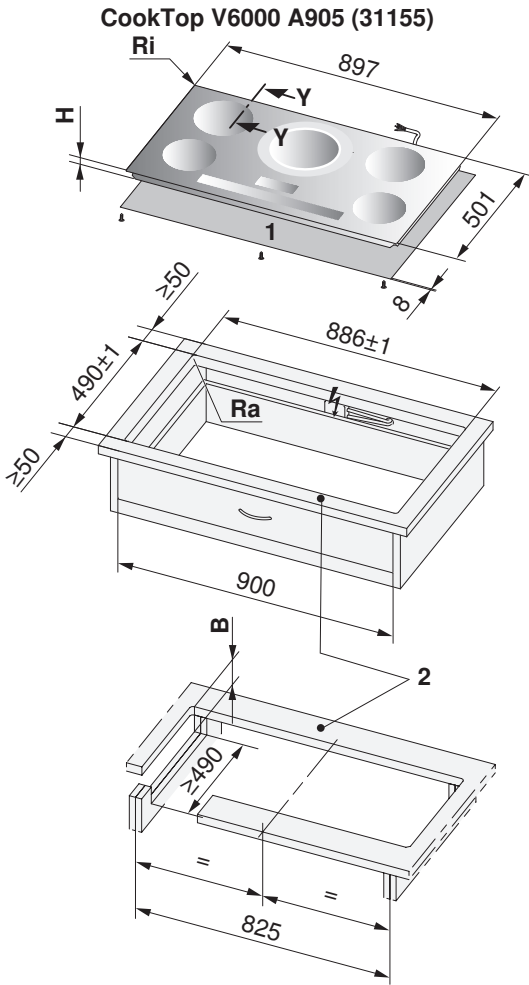
Type	B	H	Corner radius Ra/Ri
CookTop V6000	≥ 63.3 mm	53.3 mm	5/2 mm

- B** Required clearance for ventilation and service replacement over the entire cut-out area.
- H** Dimension from the top of the work surface to the underside of the hob (ventilation opening)
- Ra** Outer corner radii of cut-out
- Ri** Corner radii of appliance
- S** Drawer/Cabinet

Surface-mounted installation with «DualDesign»



- Corner radii of cut-out, aim for ≤ 5 mm
- Corner radii of appliance 2 mm



* Recommended clearance

- 1 Thermal shielding plate set
- 2 Front and rear struts are reinforced on the underside. The strut width is determined by the producer of the stone worktop. The minimum strut width can vary according to the property of the stone.

Type	B	H	Corner radius Ra/Ri
CookTop V6000	≥ 69.3 mm	49.3 mm	5/2 mm

- B** Cut-out in side walls (with/without thermal shielding plate set)
H Measurement from the top side of the worktop to the underside of the hob tray
Ra Outer corner radii of cut-out
Ri Corner radii of appliance
S Drawer/Cabinet

8.6 Flush installation with «DualDesign»



Hob must be removable from below!

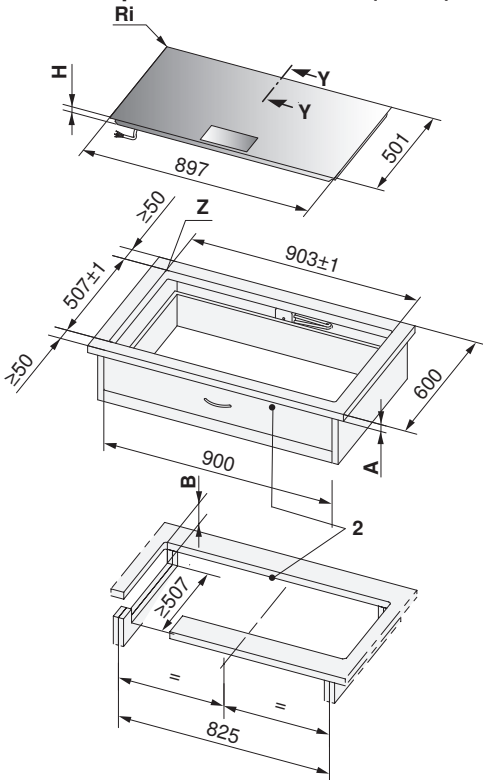


The installation of a ventilation protection plate with seal is strongly recommended.

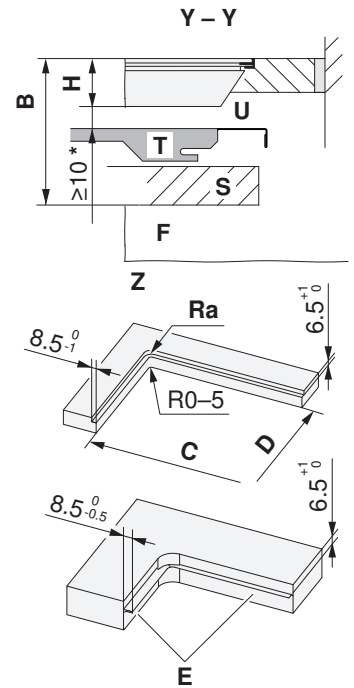
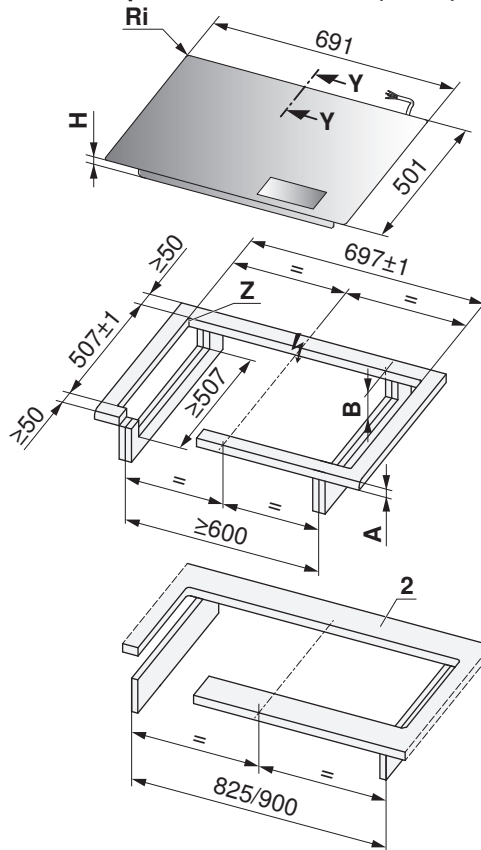


- Corner radii of cut-out, aim for ≤ 5 mm
- Corner radii of appliance 2 mm

CookTop V6000 I906 FullFlex (31134)



CookTop V6000 I705 FullFlex (31132)



* The required clearance must be observed!

2 Front and rear struts are reinforced on the underside. The strut width is determined by the producer of the stone worktop. The minimum strut width can vary according to the property of the stone.

Type	A Depends on producer	B	C/D	H	Corner radius Ra/Ri
CookTop V6000 I906 FullFlex	≤ 40 mm	≥ 150 mm	886/490 mm	76 mm	5/2 mm
CookTop V6000 I705 FullFlex			680/490 mm		

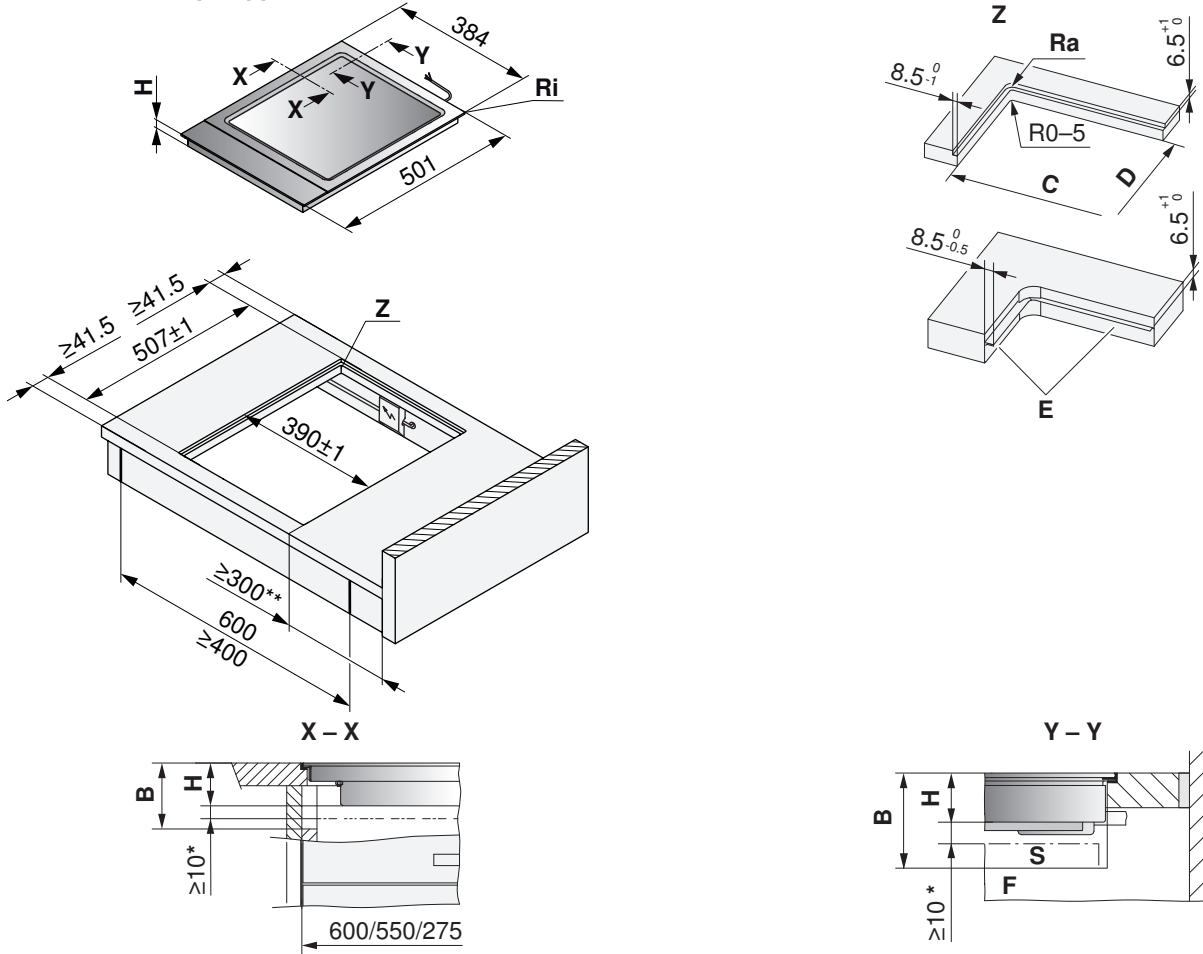
- A** Worktop depth
- B** Required clearance for service replacement over the entire cut-out area.
- E** Steel angle bonded or screw mounted
- F** Side wall
- H** Dimension from the top of the work surface to the underside of the hob
- Ra** Outer corner radii of cut-out
- Ri** Corner radii of appliance
- S** Drawer/Cabinet
- T** Ventilation protective plate
- U** Air inlet

Flush installation with «DualDesign»



- Corner radii of cut-out, aim for ≤ 5 mm
- Corner radii of appliance 2 mm

CookTop Teppan Yaki I40 (31140)



* The required clearance (for ventilation) must be observed!

** On both sides for technical reasons.

Type	B	C/D	H	Corner radius Ra/Ri
CookTop Teppan Yaki	≥ 73.6 mm	373/490 mm	64 mm	5/2 mm

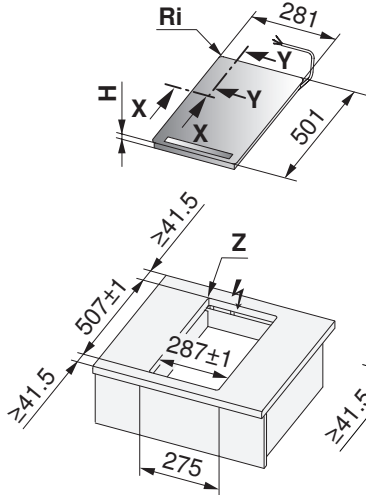
- B** Required clearance for ventilation and service replacement over the entire cut-out area.
- E** Steel angle bonded or screw mounted
- F** Side wall
- H** Dimension from the top of the work surface to the underside of the hob (ventilation opening)
- Ra** Outer corner radii of cut-out
- Ri** Corner radii of appliance
- S** Drawer/Cabinet

Flush installation with «DualDesign»

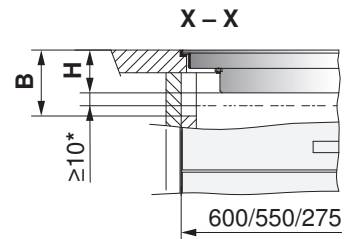
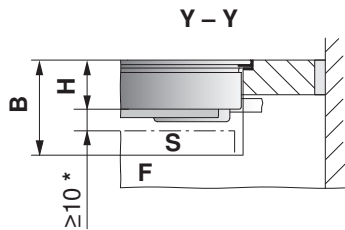
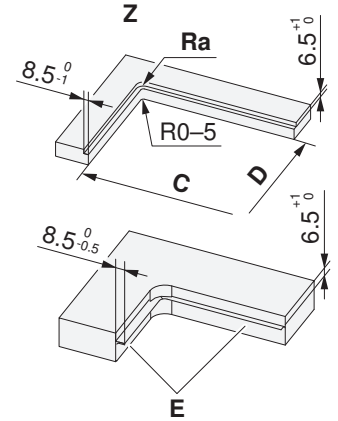
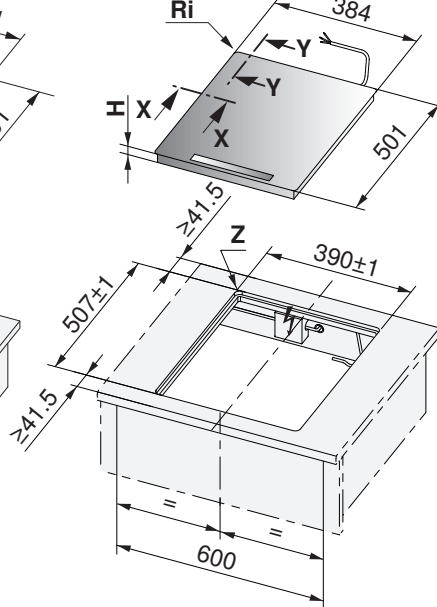


- Corner radii of cut-out, aim for ≤ 5 mm
- Corner radii of appliance 2 mm

**CookTop V2000 I302 (31177),
 CookTop V4000 I302 (31143)**



**CookTop V2000 I402 (31178),
 CookTop V4000 I402 (31144)**



* The required clearance must be observed!

Type	B	C/D	H	Corner radius Ra/Ri
CookTop V2000/V4000 I302	≥75 mm	270/490 mm	51.7 mm	5/2 mm
CookTop V2000/V4000 I402		373/490 mm	51.7 mm	

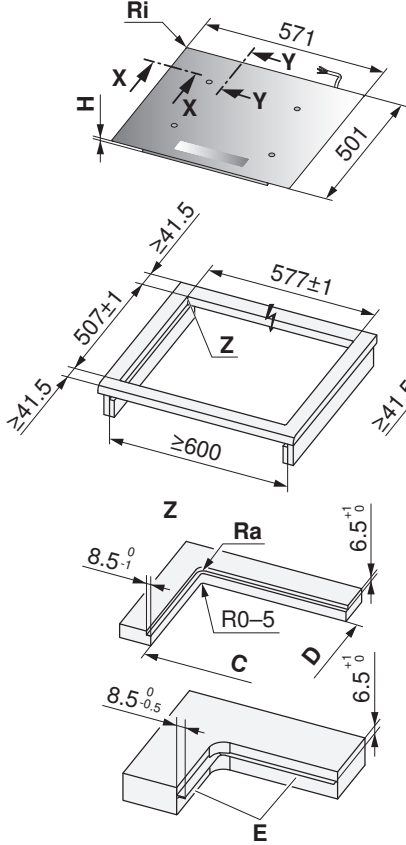
- B** Required clearance for ventilation and service replacement over the entire cut-out area.
- E** Steel angle bonded or screw mounted
- F** Side wall
- H** Dimension from the top of the work surface to the underside of the hob (ventilation opening)
- Ra** Outer corner radii of cut-out
- Ri** Corner radii of appliance
- S** Drawer/Cabinet

Flush installation with «DualDesign»

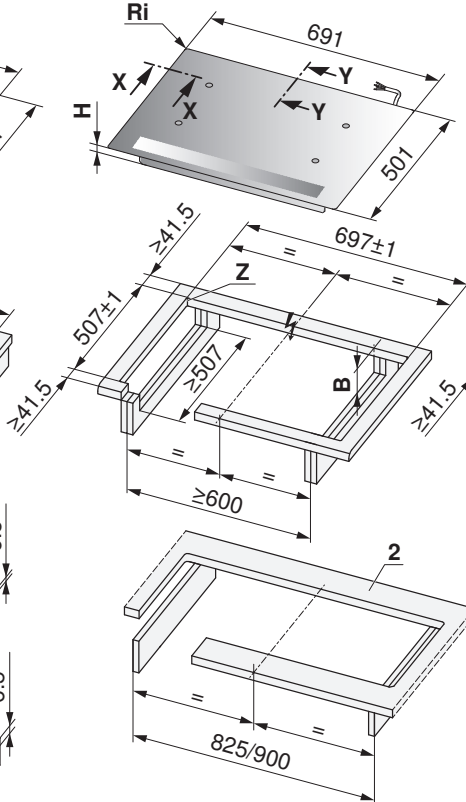


- Corner radii of cut-out, aim for ≤ 5 mm
- Corner radii of appliance 2 mm

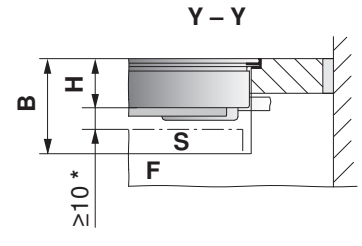
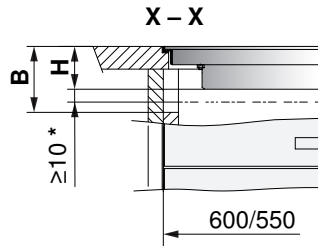
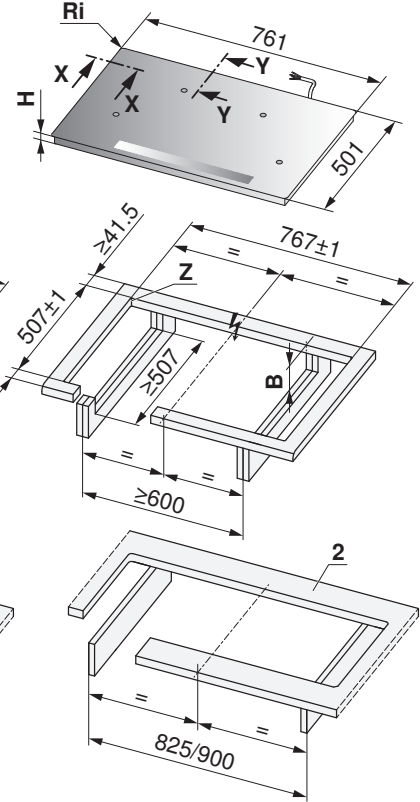
**CookTop V2000 I604 (31179/31180),
 CookTop V4000 I604 (31115/31157)**



**CookTop V2000 I704 (31181),
 CookTop V4000 I704 (31116)**



**CookTop V2000 I804 (31182),
 CookTop V4000 I804 (31158)**



* The required clearance (for ventilation) must be observed!

2 Front and rear struts are reinforced on the underside. The strut width is determined by the producer of the stone worktop. The minimum strut width can vary according to the property of the stone.

Type	B	C/D	H	Corner radius Ra/Ri
CookTop V2000 I604 (31179/31180), CookTop V4000 I604 (31115)	≥75 mm	560/490 mm	51.7 mm	5/2 mm
CookTop V4000 I604 (31157)		560/490 mm	52.0 mm	
CookTop V2000 I704 (31181), CookTop V4000 I704 (31116)		680/490 mm	51.7 mm	
CookTop V2000 I804 (31182), CookTop V2000 I804 (31146)		750/490 mm	51.7 mm	
CookTop V4000 I804 (31158)		750/490 mm	52.0 mm	

B Required clearance for ventilation and service replacement over the entire cut-out area.

E Steel angle bonded or screw mounted

F Side wall

H Dimension from the top of the work surface to the underside of the hob (ventilation opening)

Ra Outer corner radii of cut-out

Ri Corner radii of appliance

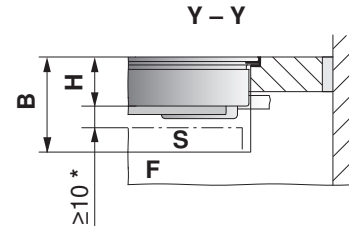
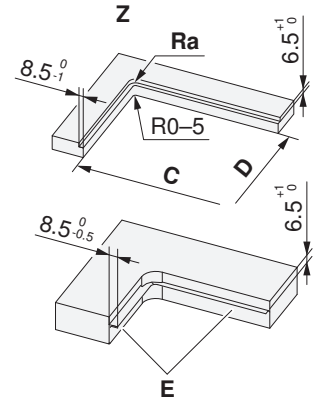
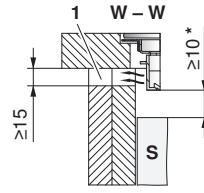
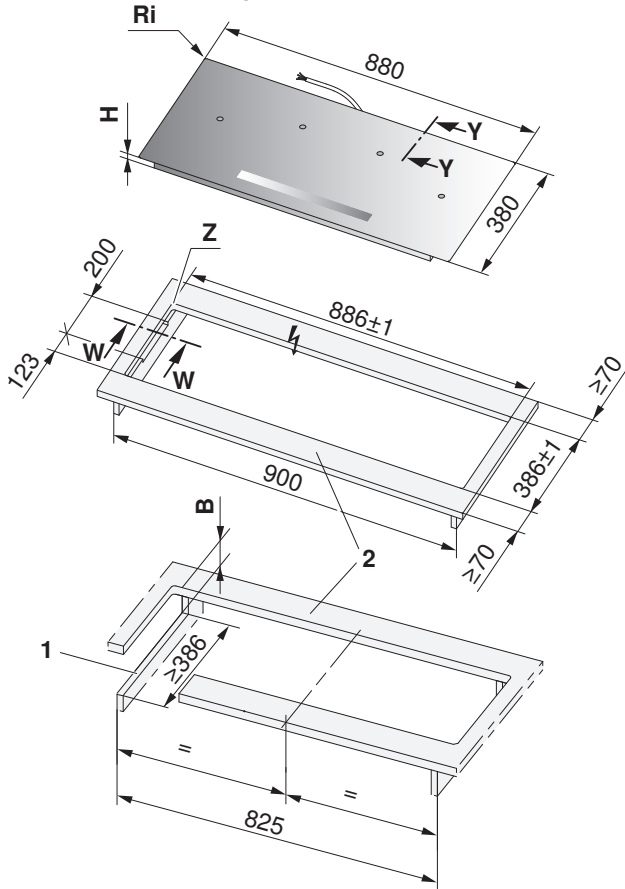
S Drawer/Cabinet

Flush installation with «DualDesign»



- Corner radii of cut-out, aim for ≤ 5 mm
- Corner radii of appliance 2 mm

CookTop V4000 I904 (31142)



* The required clearance must be observed!

- 1 Mounting cut-outs in side walls left/right for a niche width of ≥ 900 mm, necessary for the ventilation of the appliance.
- 2 Front and rear struts are reinforced on the underside. The strut width is determined by the producer of the stone worktop. The minimum strut width can vary according to the property of the stone.

Type	B	C/D	H	Corner radius Ra/Ri
CookTop V4000	≥ 75 mm	869/369 mm	51 mm	5/2 mm

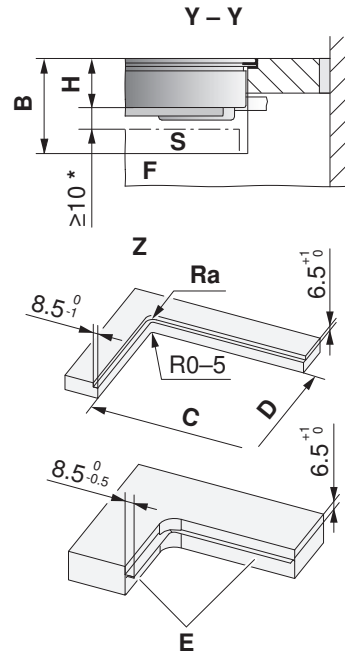
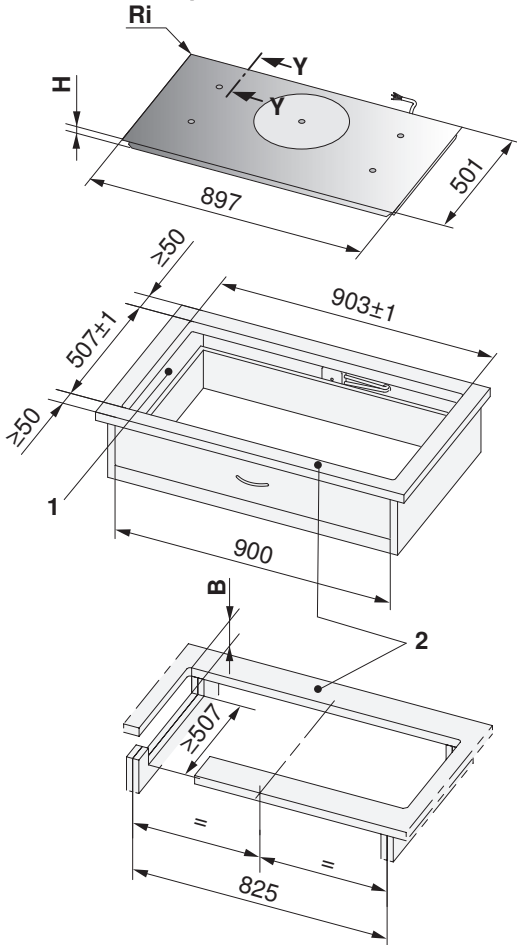
- B** Required clearance for ventilation and service replacement over the entire cut-out area.
- E** Steel angle bonded or screw mounted
- F** Side wall
- H** Dimension from the top of the work surface to the underside of the hob (ventilation opening)
- Ra** Outer corner radii of cut-out
- Ri** Corner radii of appliance
- S** Drawer/Cabinet

Flush installation with «DualDesign»



- Corner radii of cut-out, aim for ≤ 5 mm
- Corner radii of appliance 2 mm

CookTop V6000 I905 (31114)



* The required clearance must be observed!

- 1 Mounting cut-outs in side walls left/right for a niche width of ≥ 900 mm, necessary for the ventilation of the appliance.
- 2 Front and rear struts are reinforced on the underside. The strut width is determined by the producer of the stone worktop. The minimum strut width can vary according to the property of the stone.

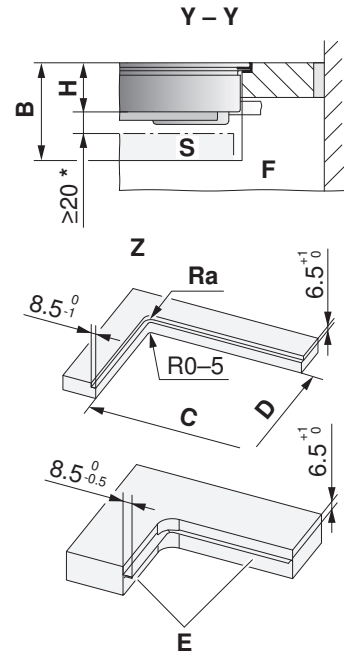
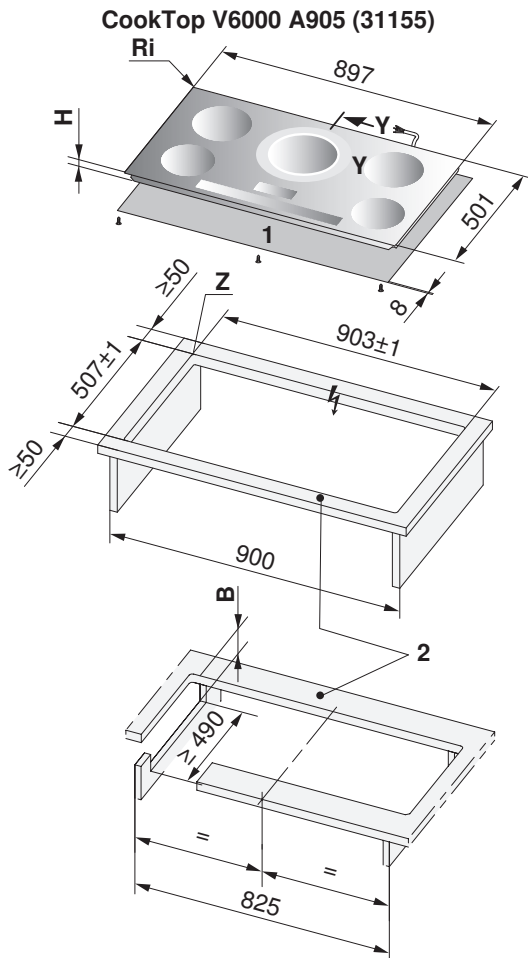
Type	B	C/D	H	Corner radius Ra/Ri
CookTop V6000	≥ 75 mm	886/490 mm	53.3 mm	5/2 mm

- B** Required clearance for ventilation and service replacement over the entire cut-out area.
- E** Steel angle bonded or screw mounted
- F** Side wall
- H** Dimension from the top of the work surface to the underside of the hob (ventilation opening)
- Ra** Outer corner radii of cut-out
- Ri** Corner radii of appliance
- S** Drawer/Cabinet

Flush installation with «DualDesign»



- Corner radii of cut-out, aim for ≤5 mm
- Corner radii of appliance 2 mm



* Recommended clearance

- 1 Thermal shielding plate set
- 2 Front and rear struts are reinforced on the underside. The strut width is determined by the producer of the stone worktop. The minimum strut width can vary according to the property of the stone.

Type	B	C/D	H	Corner radius Ra/Ri
CookTop V6000	≥86 mm	886/490 mm	47.5 mm	5/2 mm

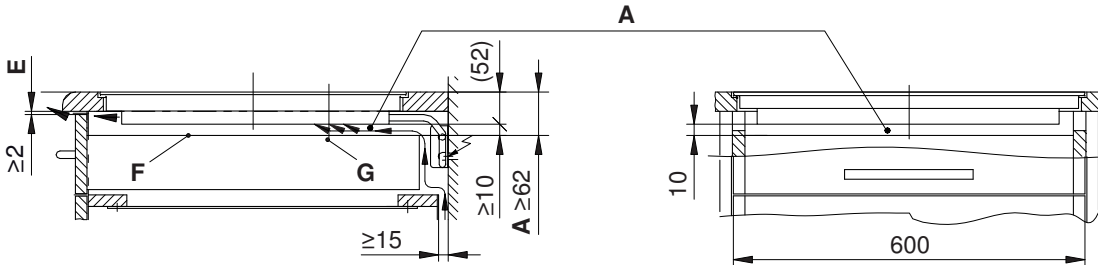
- B** Cut-out in side walls (with/without thermal shielding plate set)
- E** Steel angle bonded or screw mounted
- F** Side wall
- H** Measurement from the top side of the worktop to the underside of the hob tray
- Ra** Outer corner radii of cut-out
- Ri** Corner radii of appliance
- S** Drawer/Cabinet

8.7 Installation without protective plate



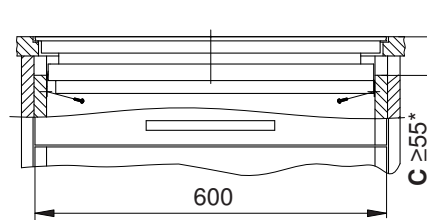
Requirements for optimal ventilation (see page 37).

CookTop V4000 I604 (31115)



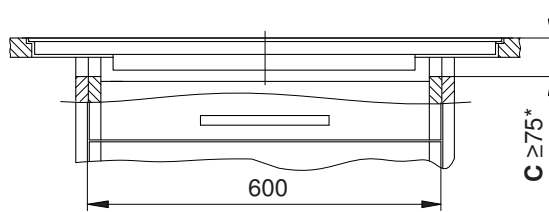
CookTop V2000 I302 (31177), CookTop V2000 I604 (31179/31180)

See diagram above

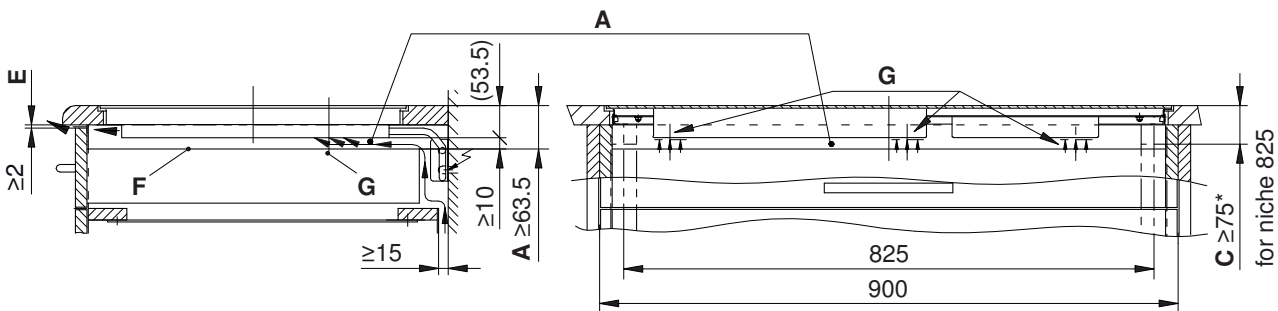


CookTop V2000 I804 (31182), CookTop V4000 I704 (31116), CookTop V4000 I604 (31157),
 CookTop V4000 I804 (31158)

See diagram above

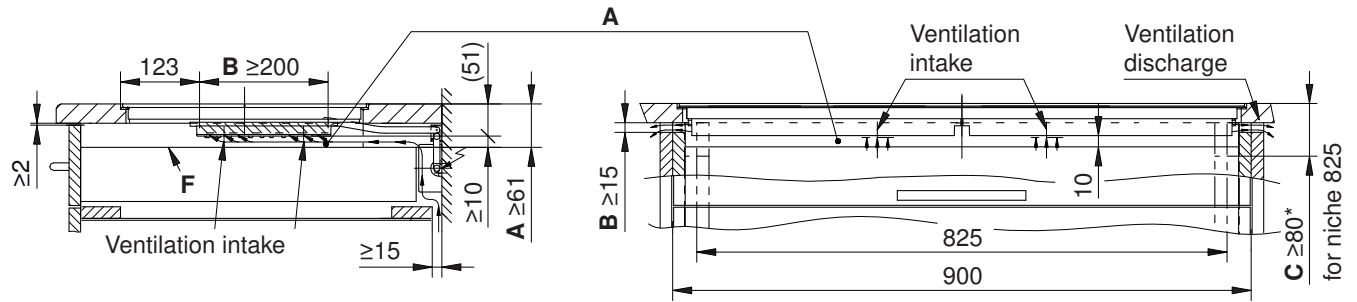


CookTop V6000 I905 (31114)

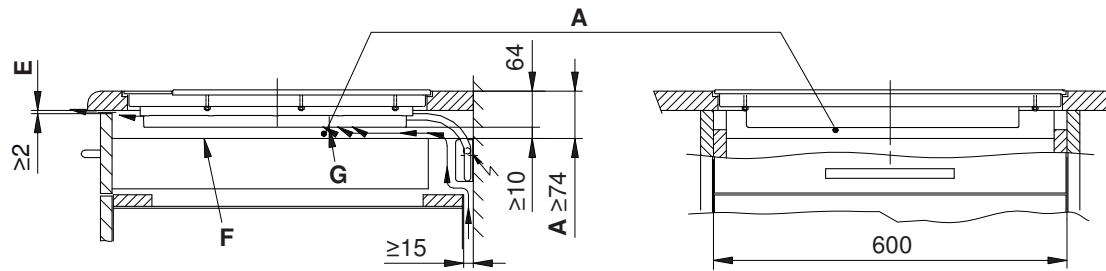


- * Required for flush appliances
- A** Necessary space below the worktop for the ventilation of the appliance
- B** Cut-out in the side walls left/right is necessary for the ventilation of the appliance.
- C** Cut-out in the side walls for disassembly from below, only for flush version
- E** Air gap over entire width of cabinet element
- F** Drawer
- G** Fan

CookTop V4000 I904 (31142)



CookTop Teppan Yaki I40 (31140)



- * Required for flush appliances
- A** Necessary space below the worktop for the ventilation of the appliance
- B** Cut-out in the side walls left/right is necessary for the ventilation of the appliance.
- C** Cut-out in the side walls for disassembly from below, only for flush version
- E** Air gap over entire width of cabinet element
- F** Drawer
- G** Fan

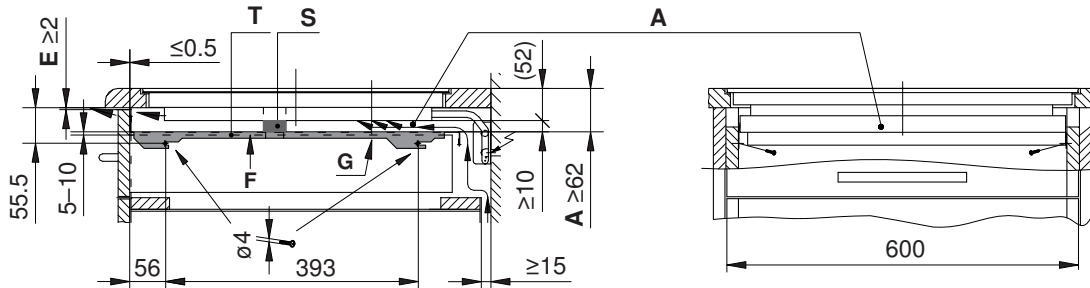
8.8 Installation with protective plate

For more information, see the Accessories (see page 151) section.



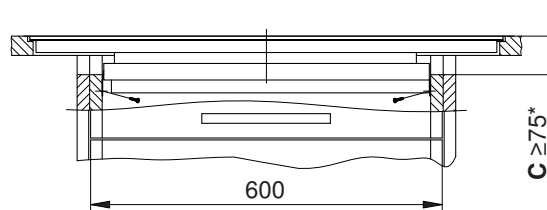
Requirements for optimal ventilation (see page 37).

CookTop V2000 I302 (31177)

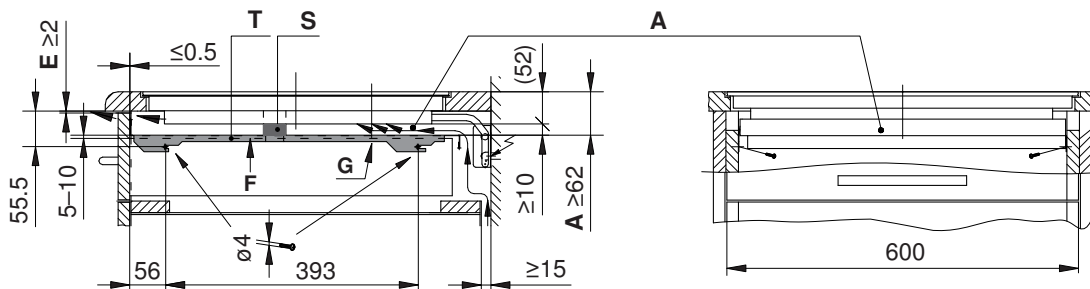


CookTop V4000 I604/I804 (31157/31158)

See diagram above

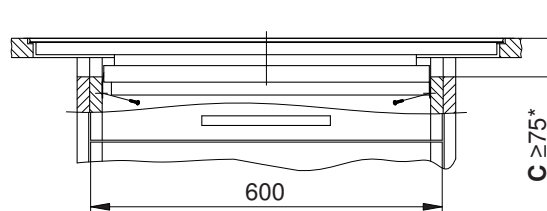


CookTop V2000 I604 (31179/31180), CookTop V4000 I604 (31115)



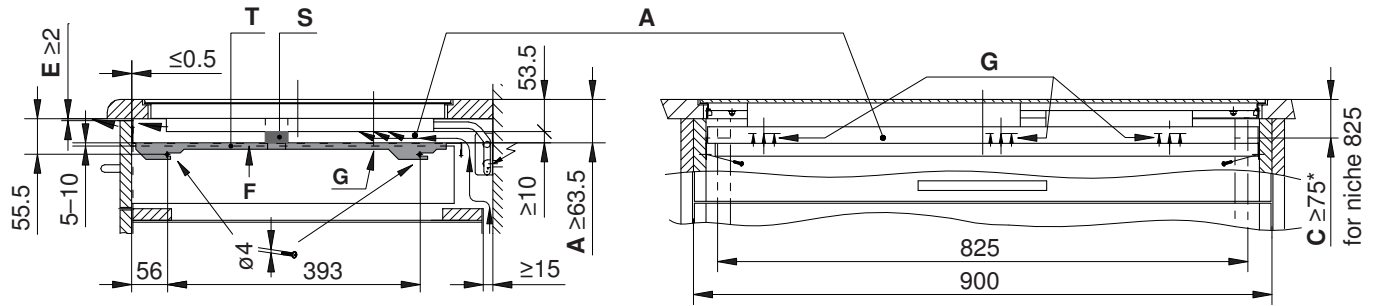
CookTop V2000 I804 (31182)

See diagram above

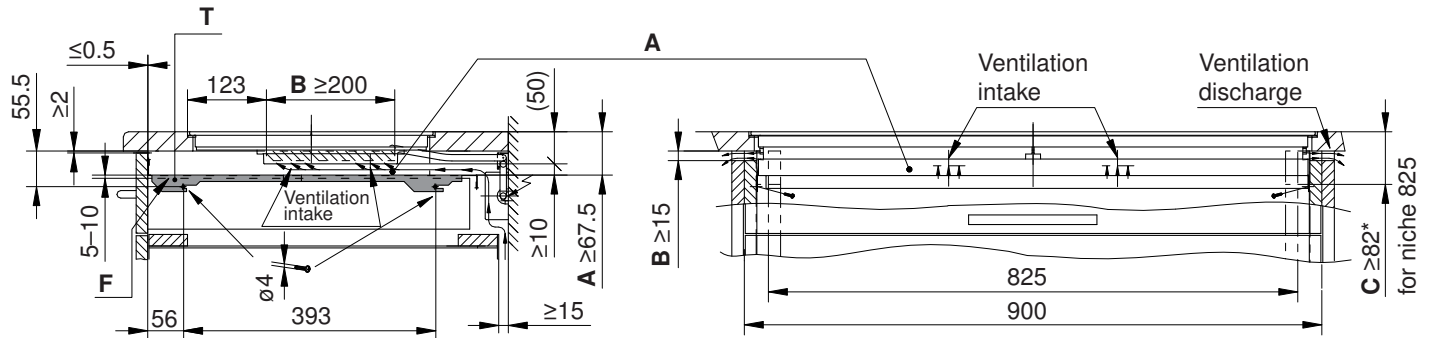


- * Required for flush appliances
- A** Necessary space below the worktop for the ventilation of the appliance
- B** Cut-out in the side walls left/right is necessary for the ventilation of the appliance.
- C** Cut-out in the side walls for disassembly from below, only for flush version
- E** Air gap over entire width of cabinet element
- F** Drawer
- G** Fan
- S** Well-fitting seal over width of cabinet element
- T** Ventilation protective plate

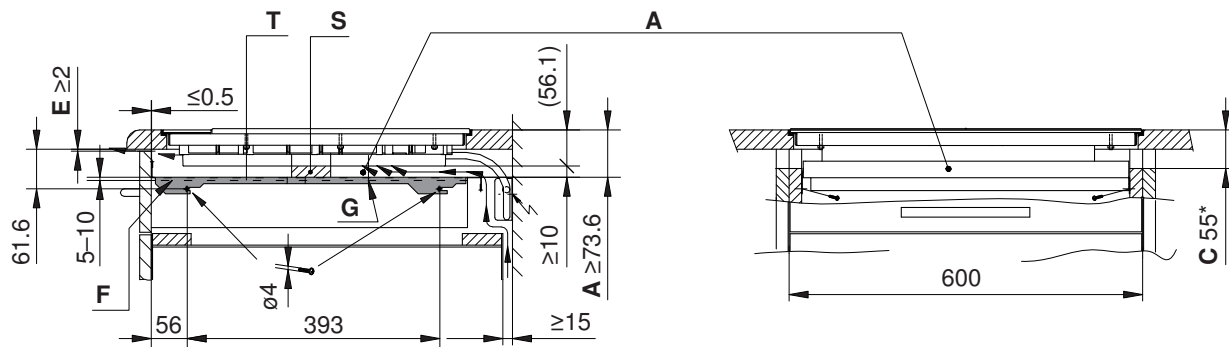
CookTop V6000 I905 (31114)



CookTop V4000 I904 (31142)



CookTop Teppan Yaki I40 (31140)

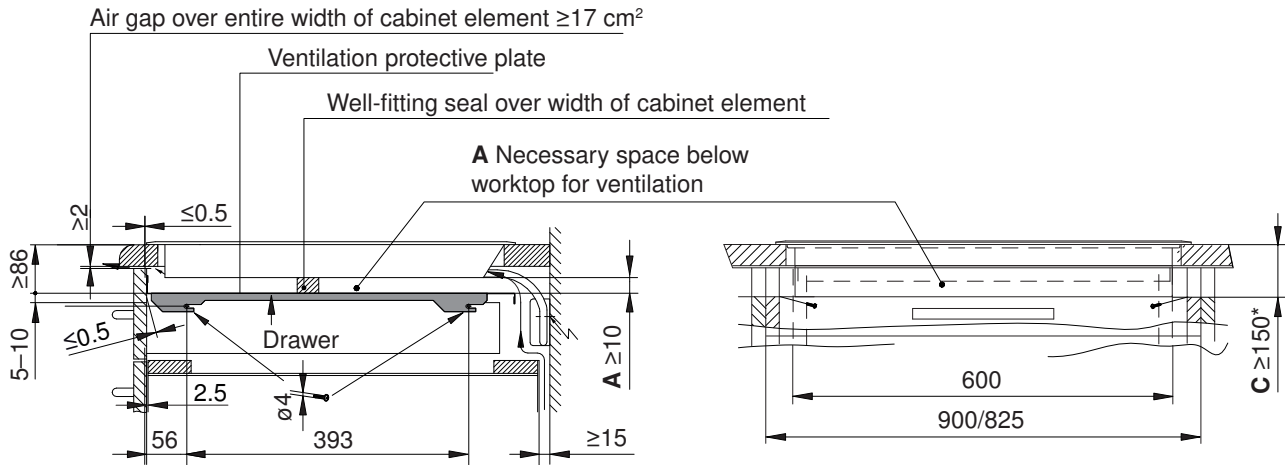


- * Required for flush appliances
- A Necessary space below the worktop for the ventilation of the appliance
- B Cut-out in the side walls left/right is necessary for the ventilation of the appliance.
- C Cut-out in the side walls for disassembly from below, only for flush version
- E Air gap over entire width of cabinet element
- F Drawer
- G Fan
- S Well-fitting seal over width of cabinet element
- T Ventilation protective plate

CookTop V6000 I906 FullFlex (31134)



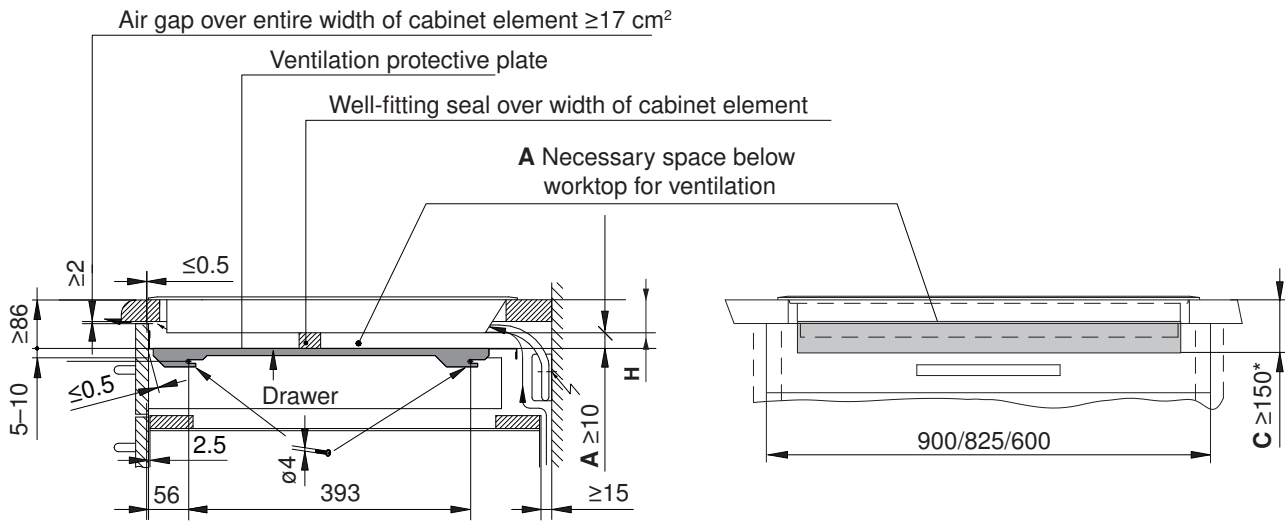
The installation of a ventilation protection plate with seal is strongly recommended.



CookTop V6000 I705 FullFlex (31132)



The installation of a ventilation protection plate with seal is strongly recommended.



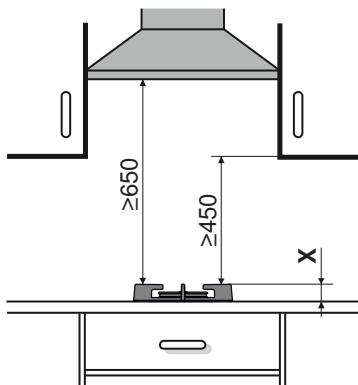
- * Required for flush appliances
- A** Necessary space below the worktop for the ventilation of the appliance
- B** Cut-out in the side walls left/right is necessary for the ventilation of the appliance.
- C** Cut-out in the side walls for disassembly from below, only for flush version
- E** Air gap over entire width of cabinet element
- F** Drawer
- G** Fan
- S** Well-fitting seal over width of cabinet element
- T** Ventilation protective plate

9 Gas hobs



The distance from the appliance cut-out to the back wall must be ≥ 50 mm and to the side walls ≥ 200 mm. Parts such as side walls and reinforcing strips which protrude into the installation space under the cooking zone must be made of fire-resistant material.

The distance between the underside of the appliance tray and any part of the cabinet beneath that is made of combustible material must be ≥ 20 mm.



When a range hood is installed above the gas hob, the minimum distance given for the particular range hood must be observed.

Furthermore, the minimum distances illustrated must be strictly complied with even if a lower value is stated for the range hood.

A gas hob cannot be built in directly over another appliance due to the installation depth and the gas connection.

Model number	Type	X
31063	GAS411	73.1
31072	GAS951	
31073	GAS311	
31075	GAS731	
31064	GAS421	46.7–51.7
31071	GAS641	
31074	GAS321	

9.1 Electrical connection data




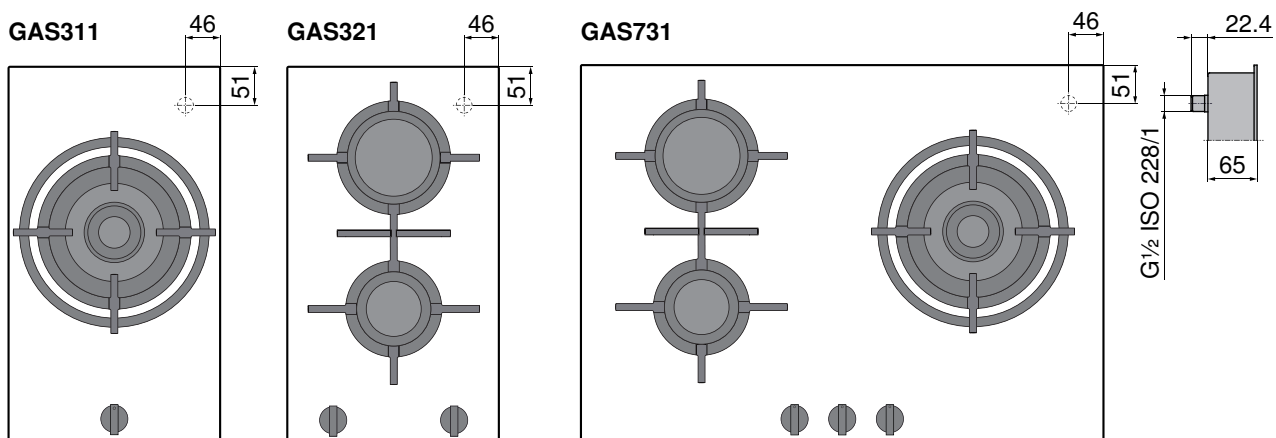
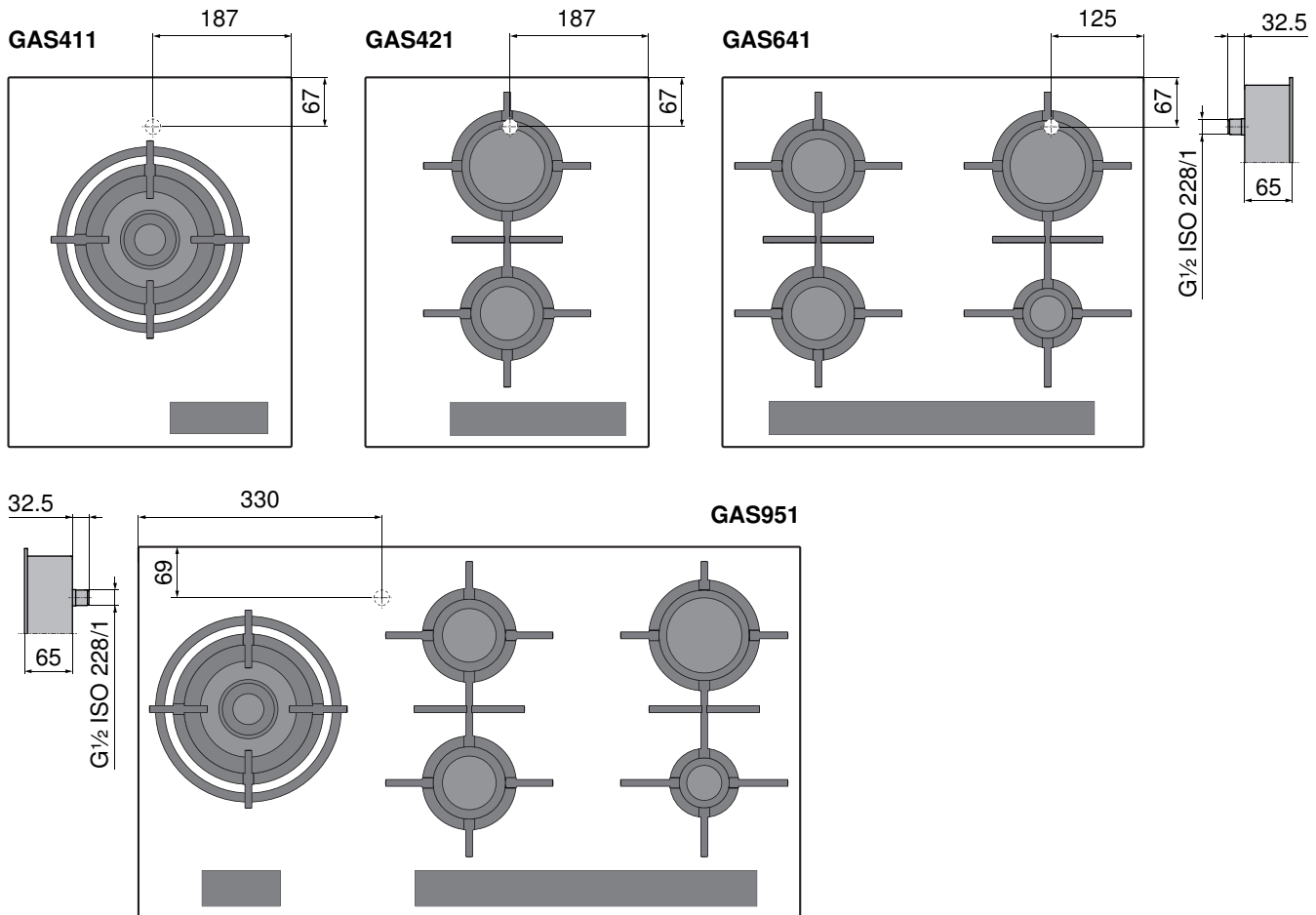
General information on the electrical connections and an overview of the positions can be found in section Overview of connections, ranges and dimensions (see page 5).

Appliance	Country group *	Mains connection	Fuse	Rated load	Mains cable
GAS411GSBZ, GAS421GSBZ, GAS641GSBZ, GAS731GKBZ, GAS951GSBZ	D	220–240 V~ 50–60 Hz	≥ 3 A	<20 W	1.7 m, with plug
GAS411GSAZ, GAS421GSAZ, GAS641GSAZ, GAS951GSAZ	A, B, E				1.7 m, without plug
GAS731GKBZ	B				
GAS311GKBZ, GAS321GKBZ, GAS411GSBZ, GAS421GSBZ, GAS731GKBZ, GAS951GSBZ	C, F				1.7 m, with plug

* Country group (see page 2)

9.2 Gas connection

 The gas connection and the conversion to another gas type must be carried out by an authorized installer.



- ▶ The gas connection must be positioned so that the stopcock and the supply connection point are accessible with the appliance installed.
- ▶ The gas connection must be positioned so that it does not get detrimentally hot during operation. In particular, the gas hose assemblies and the appliance's connection fittings must be clear of hot exhaust gases (e.g. from an oven).
- ▶ It must be ensured that the gas hose and the mains connection do not touch any hot parts of the appliance, otherwise the gas hose and the mains cable could become damaged through heat.
- ▶ A flexible connection lead (max. length 1.5 m) must be positioned so that it runs freely and does not come into contact with any movable parts of the kitchen cabinets (e.g. a drawer).

½-inch metric thread

The gas connection on the appliance has a ½-inch external thread in accordance with ISO 228/1. If the gas installation on site already has a corresponding counterpart, the gas appliance can be directly connected to it.

½-inch conical thread

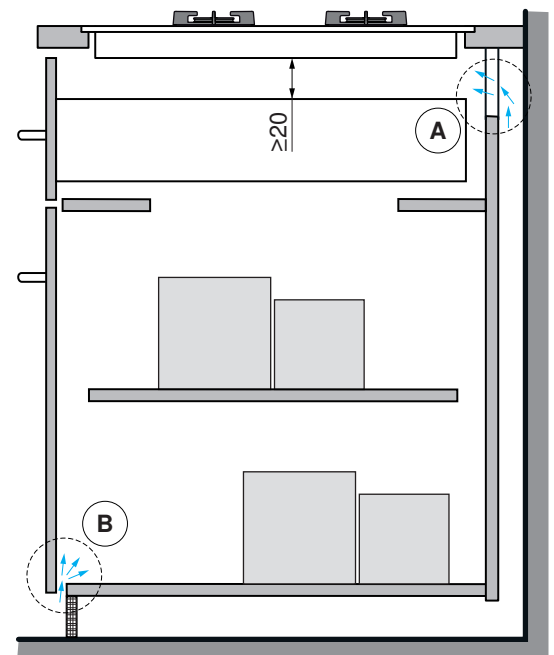
If the gas connection has a conical thread, the connection piece and sealing ring must first be screwed onto the appliance. The connection piece has a conical external thread R ½-inch in accordance with ISO 7/11. In the case of a conical screw connection, the thread makes the seal, which is why the thread must be sealed with hemp or Teflon tape.



9.3 Ventilation

In order to guarantee minimum ventilation, a space of ≥ 20 mm height is necessary beneath the appliance.

- A** The rear panel of the base unit must be open around the work surface cut-out to guarantee continuous air circulation through the ventilation slits. The air must be drawn in from outside the cabinet and be able to circulate freely from inside the cabinet to the hob. The lower plinth must not be hermetically sealed. This can be achieved through a shadow gap at the plinth panel or the use of a ventilation grille.
- B** Alternatively, a concealed fresh air supply can ensure air circulation inside the cabinet. In order that enough cold air can be drawn in, there must be a continuous circulation of fresh air that extends outside the cabinet. The air must be drawn in from outside the cabinet and be able to circulate freely from inside the cabinet to the hob. The lower drawer panel should therefore not hermetically seal the cabinet.



9.4 Setting up appliance to use local gas type



The appliance settings must match the local gas type and connection pressure. If the gas type and connection pressure have not been preset, the appliance has to be converted using the nozzle set supplied or other nozzle sets available as accessories. Information on the default gas setting as well as on the supplied and optional nozzle sets by country can be found in the catalogue. Conversion to another gas type is described in detail in the relevant installation instructions.

Overview of nozzle sets

Type	Country group *	Default gas setting	Nozzle set (supplied)	Additional nozzle sets available for country-specific combinations of gas type and connection pressure			
				Liquid gas G30, 50 mbar	Natural gas L/K (G25/G25.3), 25 mbar	Natural gas G20, 13 mbar	Natural gas G20, 25 mbar
GAS411GSAZ	A, B, E	Natural gas H, E (G20), 20 mbar	Liquid gas butane/propane (G30/31), 28–30/37 mbar	Nozzle set 1015471	Nozzle set 1015472	Nozzle set 1015474	Nozzle set 1015473
GAS421GSAZ							
GAS641GSAZ							
GAS951GSAZ							
GAS731GKBZ	B		-	Nozzle set 1015475	Nozzle set 1015476	Nozzle set 1015478	Nozzle set 1015477
GAS411GSBZ	D	Natural gas AU/NZ (G20), 1.0 kPa	Universal liquid gas (G30/G31), 2.75 kPa	No other nozzle sets are permitted			
GAS421GSBZ							
GAS641GSBZ							
GAS731GKBZ							
GAS951GSBZ							
GAS311GKBZ	F	Natural gas CN (12T), 20 mbar	Liquid gas CN (20Y), 28 mbar	No other nozzle sets are permitted			
GAS321GKBZ							
GAS411GSBZ							
GAS421GSBZ							
GAS731GKBZ							
GAS951GSBZ							
GAS311GSBZ	C	Hong Kong town gas, 15 mbar	-	No other nozzle sets are permitted			
GAS321GKBZ							
GAS411GSBZ							
GAS421GKBZ							
GAS731GKBZ							
GAS311GKBZ	C	Singapore town gas (G110), 10 mbar	Singapore liquid gas (G30/31), 29 mbar	No other nozzle sets are permitted			
GAS321GKBZ							
GAS411GSBZ							
GAS421GKBZ							
GAS731GKBZ							
GAS951GSBZ							

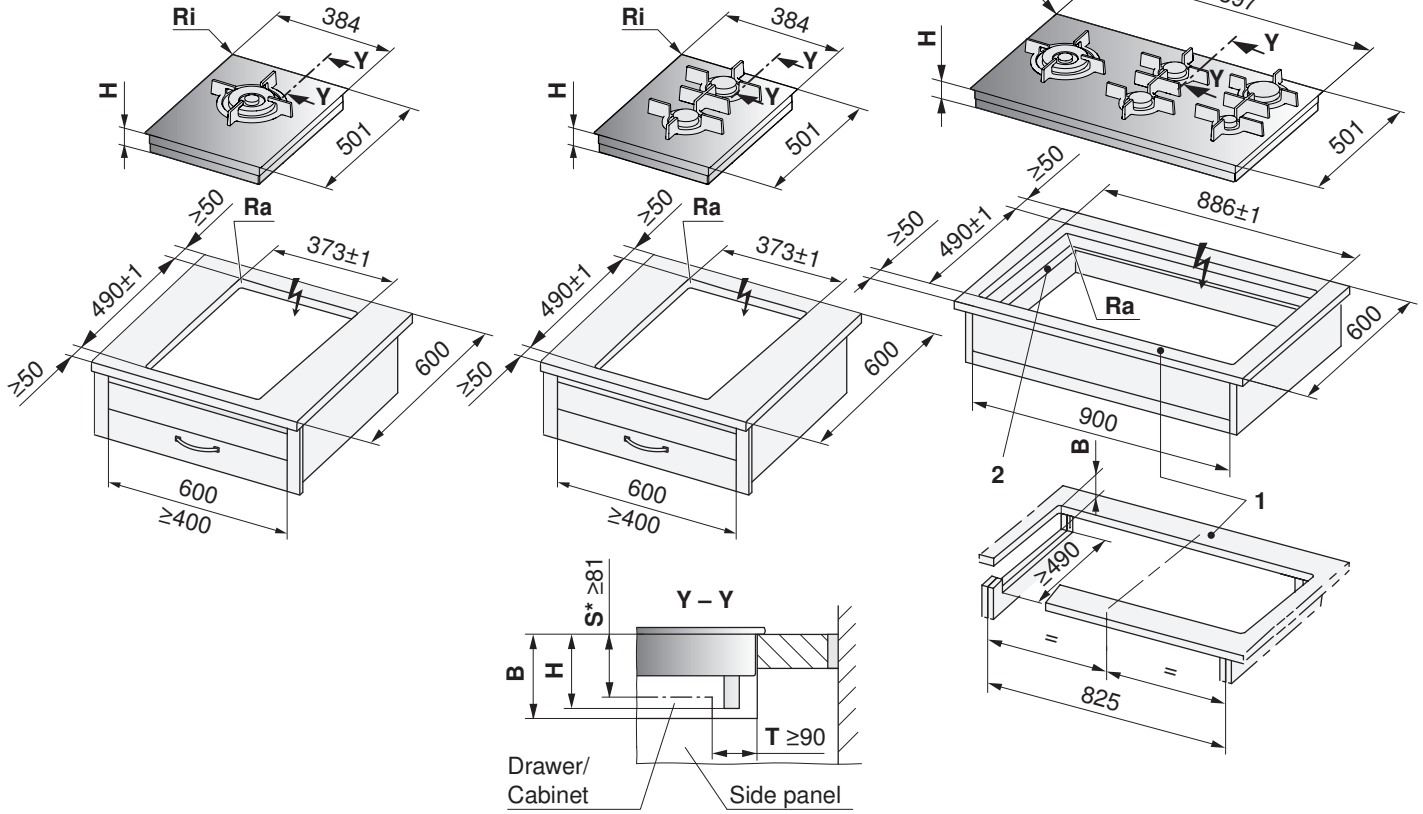
* Validity with model no. (see page 6)

Surface-mounted installation with «DualDesign»

GAS411GSAZ/GSBZ (31063)

GAS421GSAZ/GSBZ (31064)

GAS951GSAZ/GSBZ (31072)



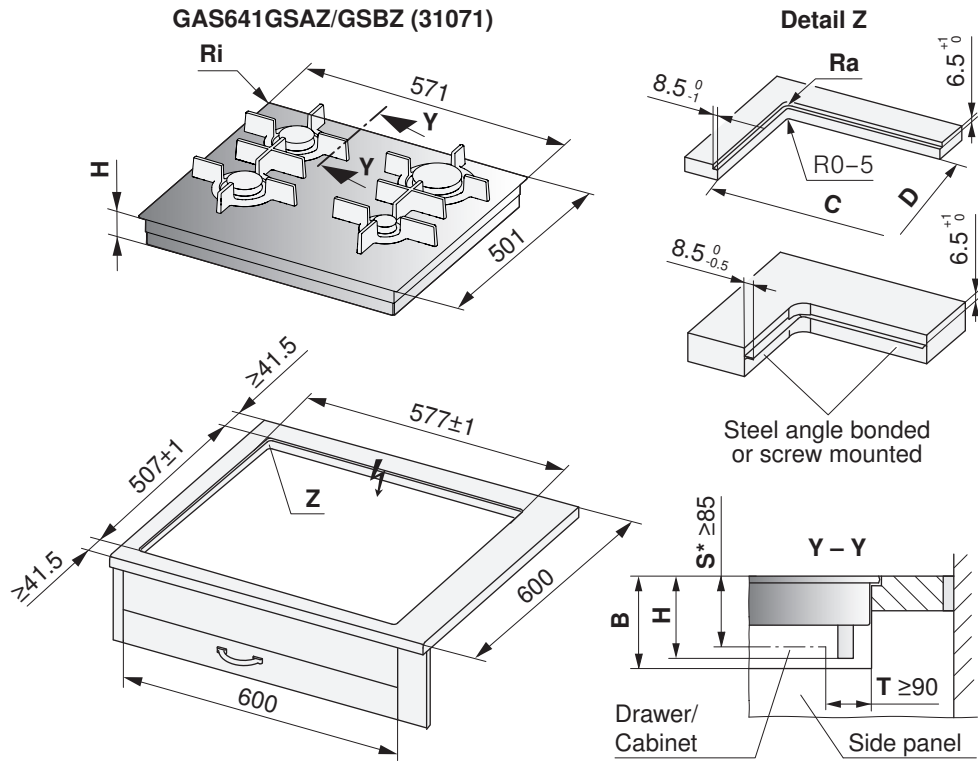
* The required clearance must be observed!

- 1 Front and rear struts may be reinforced on the underside. The strut width is determined by the producer of the stone worktop. The minimum strut width can vary according to the property of the stone.
- 2 For niche width 900 mm, cut-outs in side walls left/right are necessary for servicing work where the appliance base must be removed from below.

Type	B	H	Corner radius Ra/Ri
GAS411GSAZ/GSBZ, GAS421GSAZ/GSBZ, GAS951GSAZ/GSBZ	≥95 mm	94 mm	0–5/2 mm

- B** Required clearance for service replacement over the entire cut-out area.
- H** Dimension from the top of the work surface to the underside of the gas connection
- Ri** Corner radii of appliance **Ra** Outer corner radii of cut-out
- S** Minimum distance between the top of the work surface and any drawer
- T** Minimum distance between the cut-out in the back and any drawer

9.6 Flush installation with «DualDesign»



* The required clearance must be observed!

Type	B	H	Corner radius Ra/Ri	C/D
GAS641GSAZ/GSBZ	≥175 mm	98 mm	5/2 mm	560/490 mm

- B** Required clearance for service replacement over the entire cut-out area.
- H** Dimension from the top of the work surface to the underside of the gas connection
- Ri** Corner radii of appliance
- Ra** Outer corner radii of cut-out
- S** Minimum distance between the top of the work surface and any drawer
- T** Minimum distance between the cut-out in the back and any drawer

10 Combined hob installation

10.1 Surface-mounted combination

The surface-mounted hob combination is currently only possible for electric hobs (up to max. hob size 40), gas hobs and hob hoods. The intermediate support 1014361 (stainless steel) or 1019199 (black) is required for this.

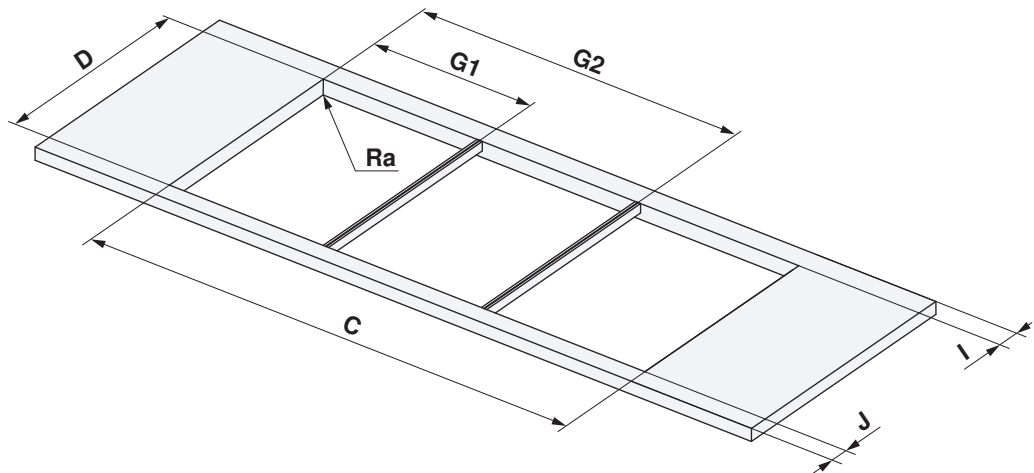


Intermediate supports 1014361 and 1019199 are not available in Germany.

Dimensions table for hobs

Combinations	Cut-out width C	Intermediate support position G1	Intermediate support position G2
30+30 cm	554 mm	277 mm	-
30+40 cm	657 mm	277 mm	-
40+40 cm	760 mm	380 mm	-
30+30+30 cm	838 mm	277 mm	561 mm
30+60 cm	844 mm	277 mm	-
40+60 cm	947 mm	380 mm	-
30+70 cm	964 mm	277 mm	-
30+40+40 cm	1044 mm	277 mm	664 mm
40+70 cm	1067 mm	380 mm	-
40+40+40 cm	1147 mm	380 mm	767 mm
30+90 cm	1170 mm	277 mm	-
30+40+60 cm	1231 mm	277 mm	664 mm
40+90 cm	1273 mm	380 mm	-
40+40+60 cm	1334 mm	380 mm	767 mm

- D** 490 mm
- I** ≥50 mm
- J** ≥50 mm
- Ra** 0–5 mm

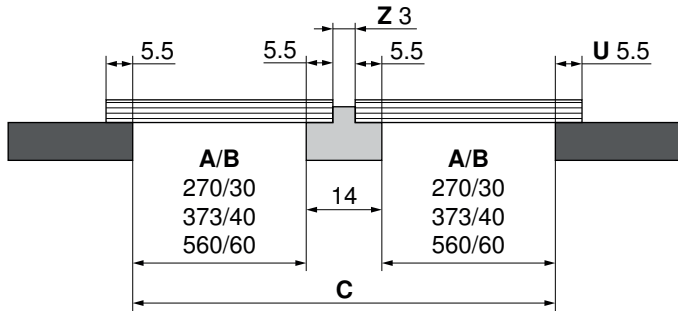




10.2 Examples of surface-mounted combinations

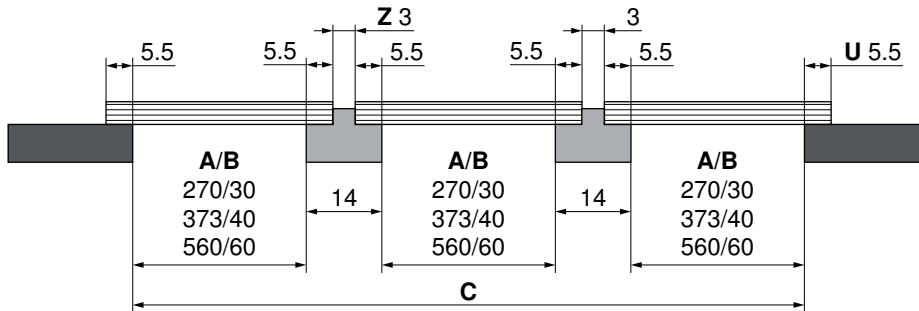
Worktop	Hobs	Intermediate support

Double surface-mounted combination



Example for cut-out width **C** with 40+40 cm: $373+14+373 = 760$ mm

Triple surface-mounted combination



Example for cut-out width **C** with 40+40+40 cm: $373+14+373+14+373 = 1147$ mm

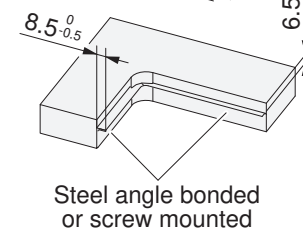
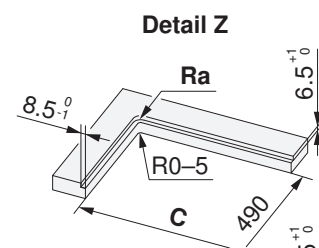
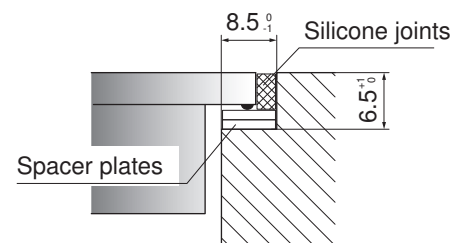
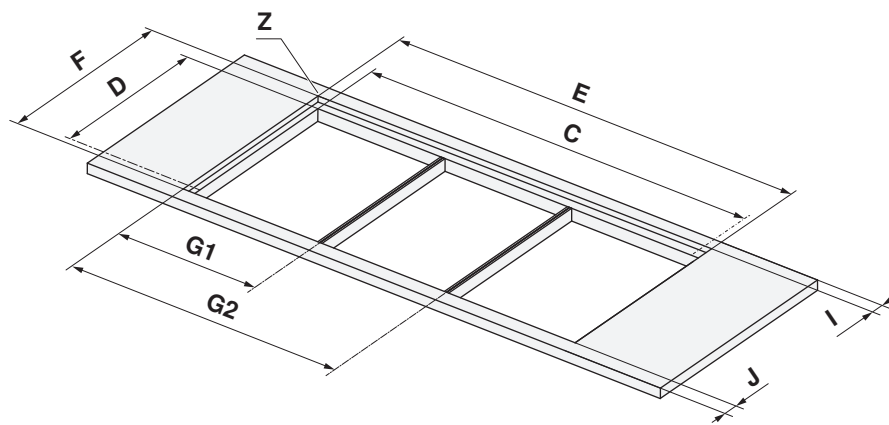
A	B	C	U	Z
Cut-out in mm	Hob size in cm	Cut-out width	Hob/worktop overlap	Intermediate support

10.3 Flush combination

The flush-mounted hob combination is currently possible for all gas hobs, hob hoods and flush-mounted electric hobs with a base plate depth of 501 mm. The intermediate support kit H63789 (contains two intermediate supports) is required.

Dimensions table for hobs

Combinations	Cut-out width E	Cut-out width C	Intermediate support position G1	Intermediate support position G2
30+30 cm	571 mm	554 mm	285.5 mm	-
30+40 cm	674 mm	657 mm	285.5 mm	-
40+40 cm	777 mm	760 mm	388.5 mm	-
30+30+30 cm	855 mm	838 mm	285.5 mm	569.5 mm
30+60 cm	861 mm	844 mm	285.5 mm	-
40+60 cm	964 mm	947 mm	388.5 mm	-
30+70 cm	981 mm	964 mm	285.5 mm	-
30+40+40 cm	1061 mm	1044 mm	285.5 mm	672.5 mm
40+70 cm	1084 mm	1067 mm	388.5 mm	-
40+40+40 cm	1164 mm	1147 mm	388.5 mm	775.5 mm
30+90 cm	1187 mm	1170 mm	285.5 mm	-
30+40+60 cm	1248 mm	1231 mm	285.5 mm	672.5 mm
40+90 cm	1290 mm	1273 mm	388.5 mm	-
40+40+60 cm	1351 mm	1334 mm	385.5 mm	775.5 mm

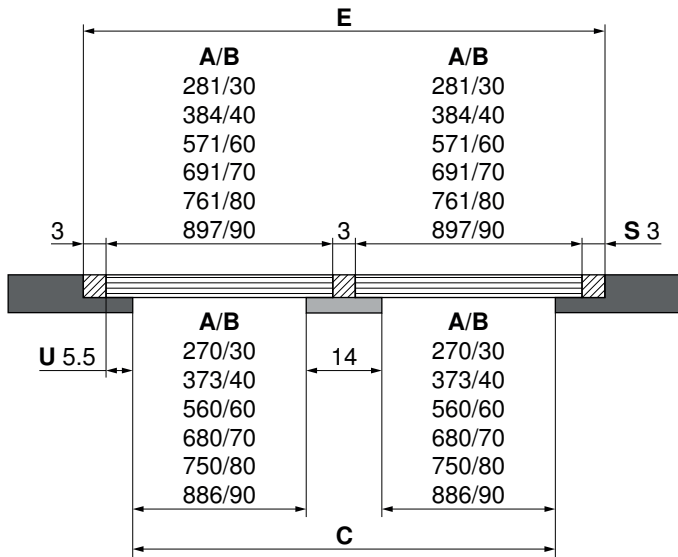


- I ≥41.5 mm
- J ≥41.5 mm
- D 490±1 mm
- F 507±1 mm
- Ra 5 mm

10.4 Examples of flush combinations

Worktop	Hobs	Intermediate support	Silicone joint

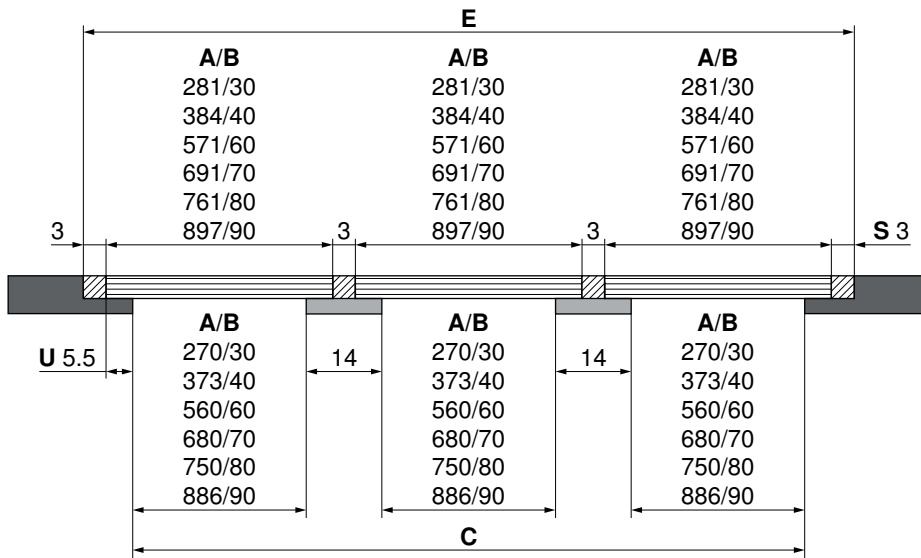
Double flush combination



Example for cut-out width **E** with 40+40 cm: $3+384+3+384+3 = 777$ mm

Example for cut-out width **C** with 40+40 cm: $373+14+373 = 760$ mm

Triple flush combination



Example for cut-out width **E** with 40+40+40 cm: $3+384+3+384+3+384+3 = 1164$ mm

Example for cut-out width **C** with 40+40+40 cm: $373+14+373+14+373 = 1147$ mm

A	B	C/E	S	U
Cut-out in mm	Hob size in cm	Cut-out width	Silicone joint	Hob/worktop overlap



11 CombiCookTop induction hob with hood

11.1 Electrical connection data



General information on the electrical connections and an overview of the positions can be found in section Overview of connections, ranges and dimensions (see page 5).

Type	Country group *	Mains connection	Fuse	Rated load	Mains cable
CombiCookTop V2000/V4000	A, E	380–415 V 2N~ 50–60 Hz	16 A	7400 W	1.7 m, without plug
	B, C, D, F	220–240 V~ 50–60 Hz	32 A		

* Country group (see page 2)



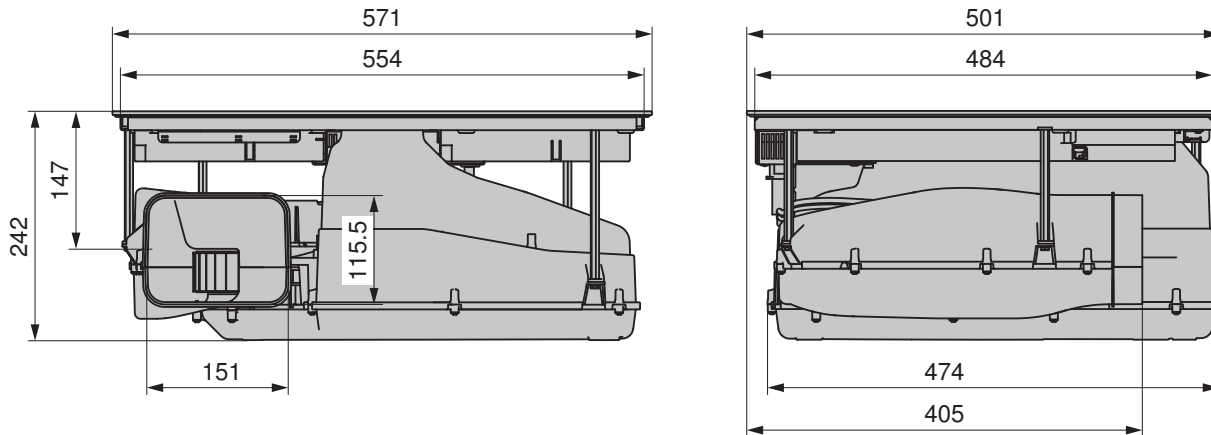
The fixed adapter (article no. 1245010) must be used in conjunction with the type K socket to ensure the safety of the product (earthing). Is supplied with appliances for Denmark (see page 151).

11.2 Dimensions

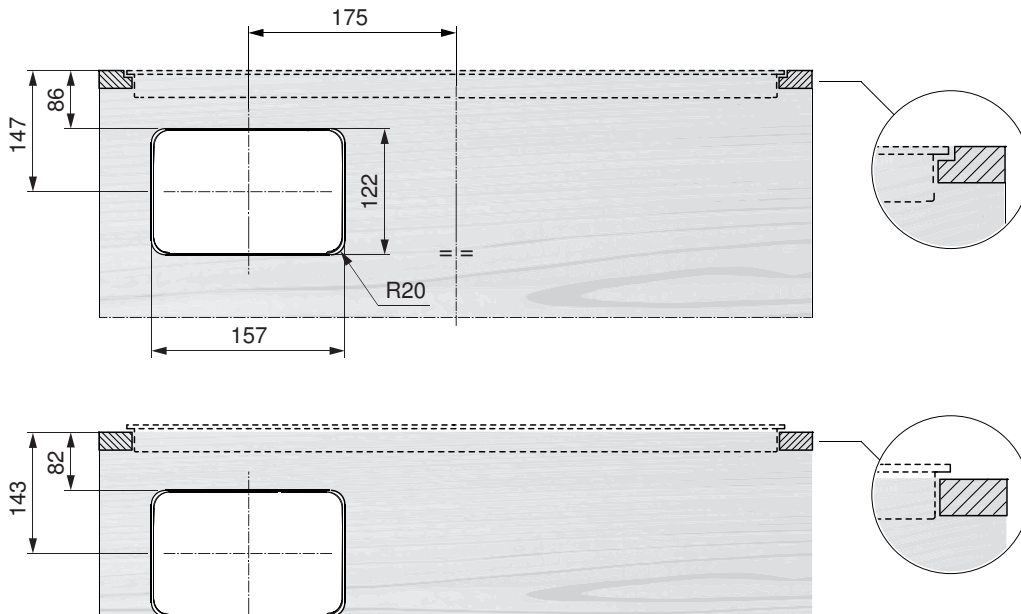


All plastering, plasterboarding, wall papering and painting work is to be carried out prior to installing the appliance. Ensure that the material is sufficiently stable. For the recirculation mode, ensure sufficient ventilation so that moisture can escape. Plan in suitable material/wood.

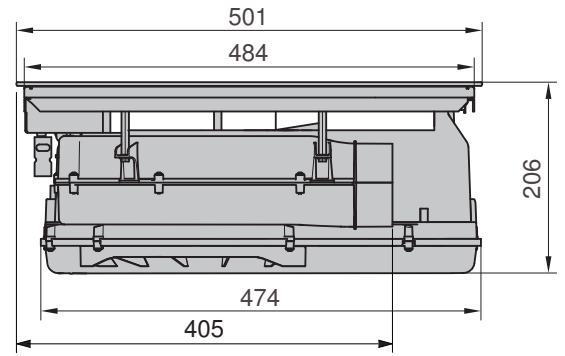
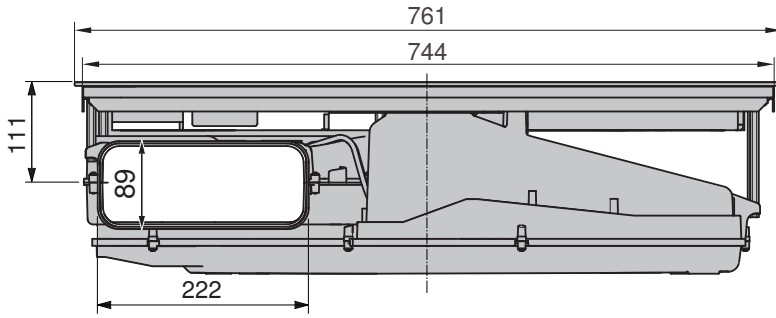
CombiCookTop V2000 I604 (31175/31176)



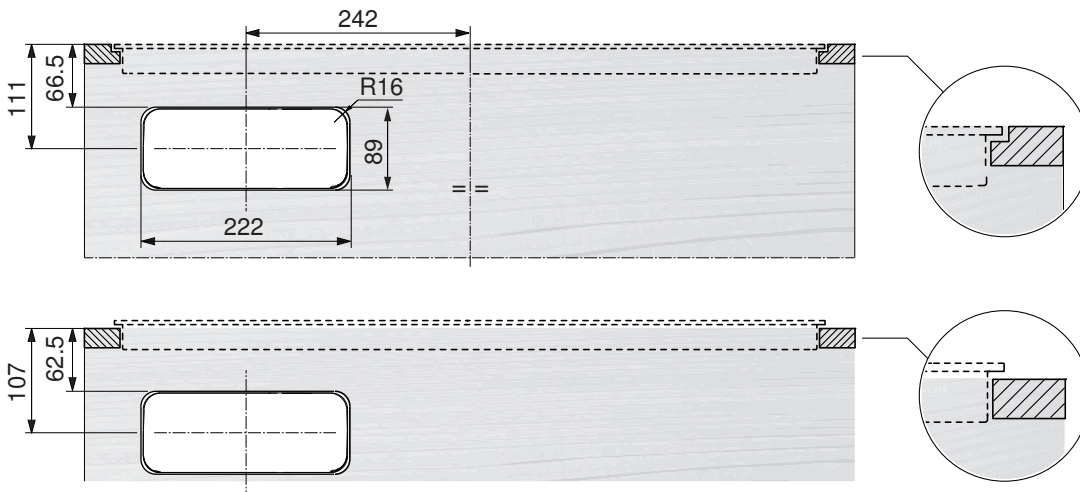
Installation for recirculation operation, unguided



CombiCookTop V2000 I804 (31095), CombiCookTop V4000 I804 (31096)

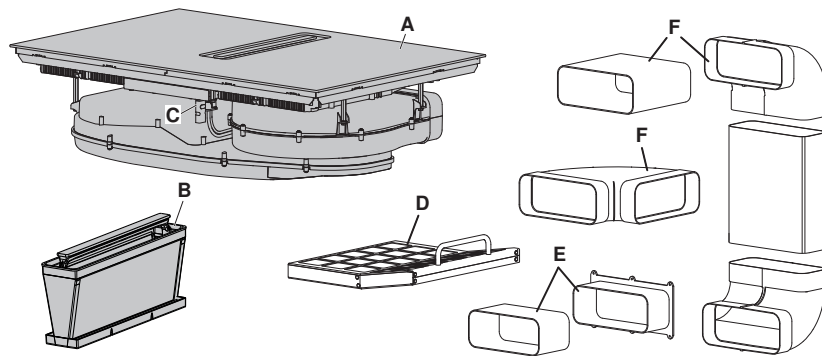


Installation for recirculation operation, unguided



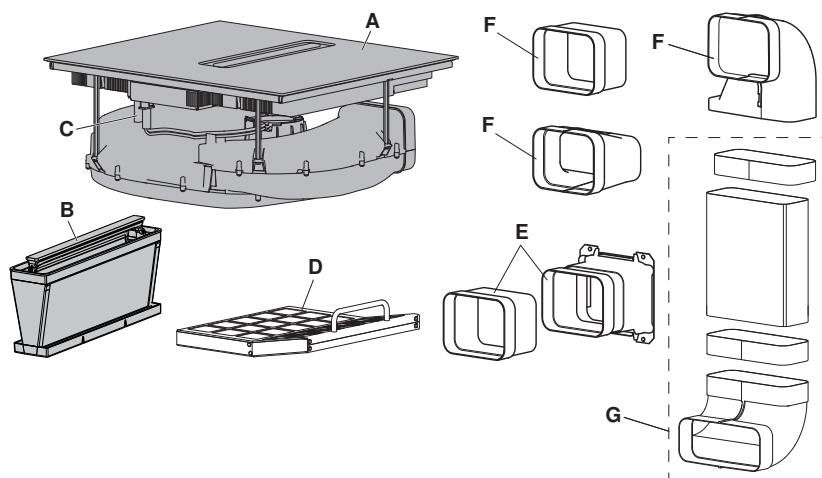
11.3 Scope of delivery

CombiCookTop V2000 I804, CombiCookTop V4000 I804



- A Hob
 - B Filter cassette with grease filter
 - C Potential-free switch contact (window contact switch)
- Not included in the scope of delivery, but available for order as accessories:**
- D Activated charcoal filter (recirculation operation only)
 - E Telescopic connection for recirculation operation, unguided
 - F Flat channels, elbow variants and transition pieces

CombiCookTop V2000 I604



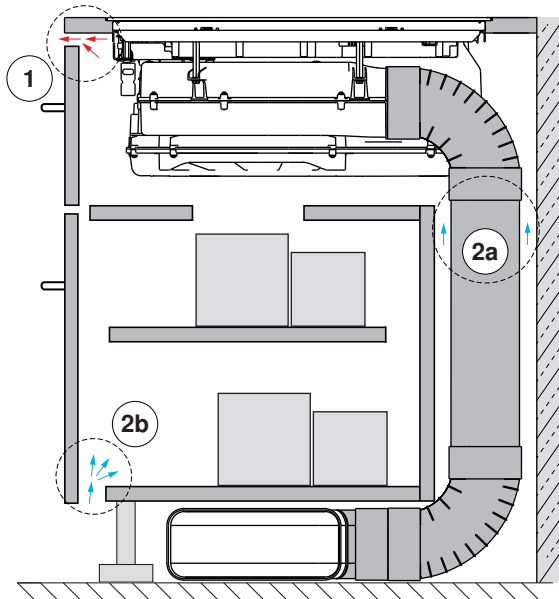
- A Hob
 - B Filter cassette with grease filter
 - C Potential-free switch contact (window contact switch)
- Not included in the scope of delivery, but available for order as accessories:**
- D Activated charcoal filter (recirculation operation only)
 - E Telescopic connection for recirculation operation, unguided
 - F Special duct, straight adapter and special 90° elbow
 - G Flat channels, universal connectors and elbows

11.4 Ventilation of the hob

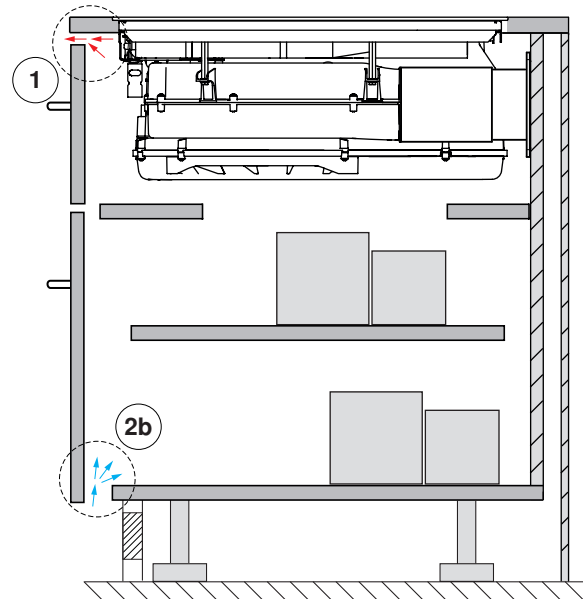
For installation of hobs with integrated range hood, the following minimum requirements apply:

1. The hot air exhaust should be provided by a ventilation slit of $\geq 2 \text{ mm}$ at the front.
2. Not only exhaust air but also replacement air in the cabinet should be taken into account. There are different ways to do this, including:
 - a) The rear panel of the base unit must be open around the work surface cut-out to guarantee continuous air circulation through the ventilation slits. The air must be drawn in from outside the cabinet and be able to circulate freely from inside the cabinet to the hob. The lower plinth must not be hermetically sealed. This can be achieved through a shadow gap at the plinth panel or through the use of a ventilation grille.
 - b) Alternatively, a concealed fresh air supply can ensure air circulation inside the cabinet. In order that enough cold air can be drawn in, there must be a continuous circulation of fresh air that extends outside the cabinet. The lower drawer panel should therefore not hermetically seal the cabinet.

Extraction or recirculation operation with flat channel system



Recirculation operation without flat channel system



For recirculation operation without flat channel system, the exhaust air from the range hood and the ventilation (supply air for hob) must not mix in this installation variant. These areas must be kept separate (see supply air option 2b above)!

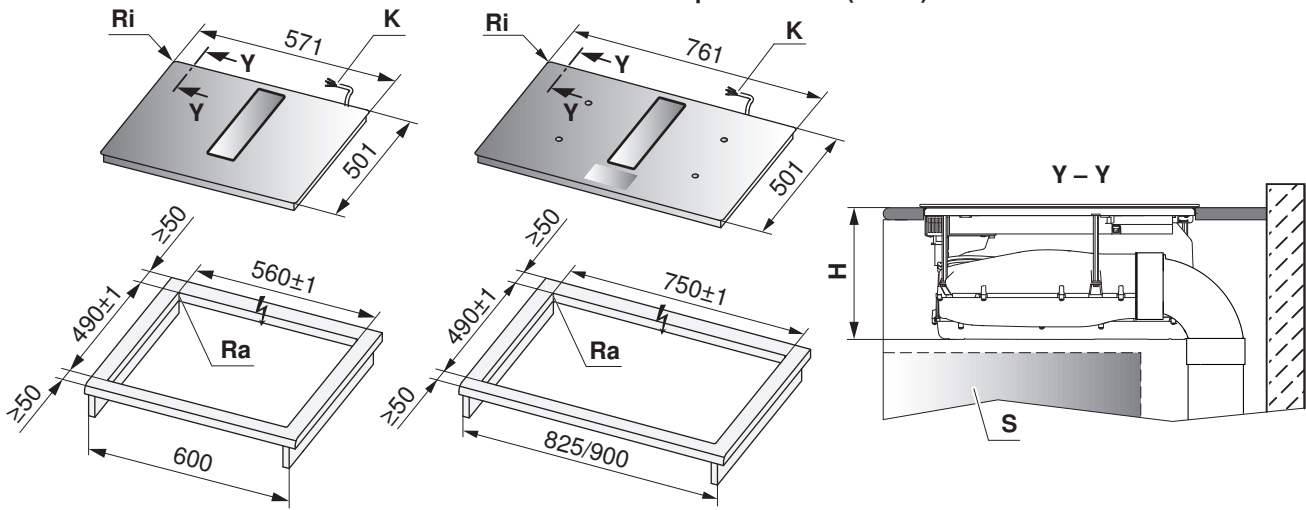
Inadequate ventilation will affect the performance of the appliance. Ventilation slit should extend across the entire width where possible.

11.5 Surface-mounted installation

The layout of the hob to be fitted may differ from the hob illustrated!

CombiCookTop V2000 I604 (31175/31176)

CombiCookTop V2000 I804 (31095),
 CombiCookTop V4000 I804 (31096)



Model designation	H	Corner radius Ra/Ri
CombiCookTop V2000 I604	238 mm	5/2 mm
CombiCookTop V2000 I804, CombiCookTop V4000 I804	202 mm	

- H** Dimension from the top of the work surface to the underside of the hob
- S** Drawer
- K** Cable length 170 cm
- Ri** Corner radii of appliance
- Ra** Outer corner radii of cut-out



Ensure access from below for service and maintenance work across the entire width of the cabinet. Where an intermediate base is to be provided between the drawer and the appliance, it must be removable from below.

Installation

- ▶ Create an accurate installation cut-out.
- ▶ Carefully put the appliance in the installation cut-out and press against the worktop with sufficient overlap.



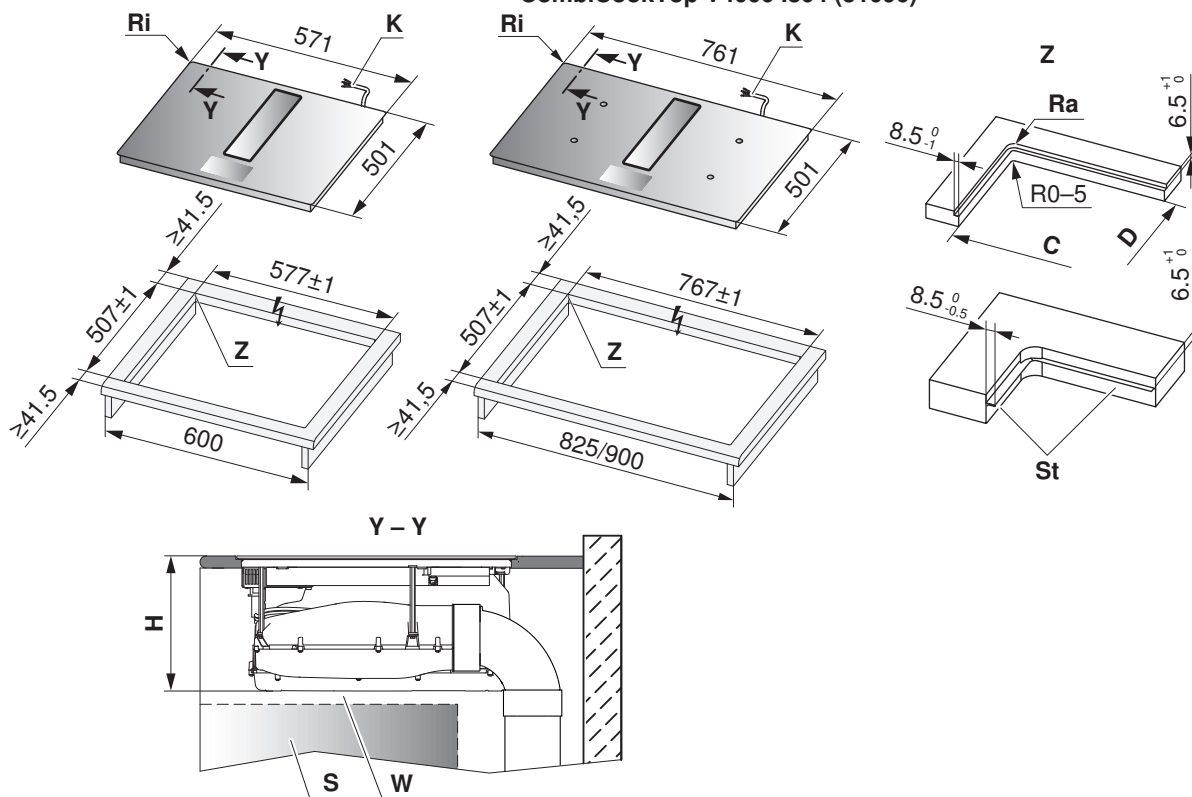
Access to the appliance from below via the entire cut-out area must be guaranteed. For servicing purposes, the induction generator can be removed from below with the mounting plate. It must be possible to unscrew the contact-proof covers from below.

11.6 Flush installation

The layout of the hob to be fitted may differ from the hob illustrated!

CombiCookTop V2000 I604 (31175/31176)

CombiCookTop V2000 I804 (31095),
 CombiCookTop V4000 I804 (31096)



Model designation	C/D	H	Corner radius Ra/Ri
CombiCookTop V2000 I604	560/490	242 mm	5/2 mm
CombiCookTop V2000 I804, CombiCookTop V4000 I804	750/490	206 mm	

- H** Dimension from the top of the work surface to the underside of the hob
- St** Steel angle bonded or screw mounted
- S** Drawer
- W** Side panel
- K** Cable length 170 cm
- Ri** Corner radii of appliance
- Ra** Outer corner radii of cut-out



Ensure access from below for service and maintenance work across the entire width of the cabinet. Where an intermediate base is to be provided between the drawer and the appliance, it must be removable from below.

Installation

► Create an accurate installation cut-out.

- The mounting surface can be reamed out or created by installing wood/stone supports or using the steel angle set (see Accessories).



Access to the appliance from below via the entire cut-out area must be guaranteed. For servicing purposes, the induction generator can be removed from below with the mounting plate. It must be possible to unscrew the contact-proof covers from below.

- Prepare the cut-out and appliance in accordance with the specifications in the enclosed cementing-in instructions.
- Carefully cement the appliance in and leave the silicone sealant to dry for at least 24 hours.
- Connect to the electrical mains connection before inserting the appliance, if necessary.

11.7 Installation overview for base

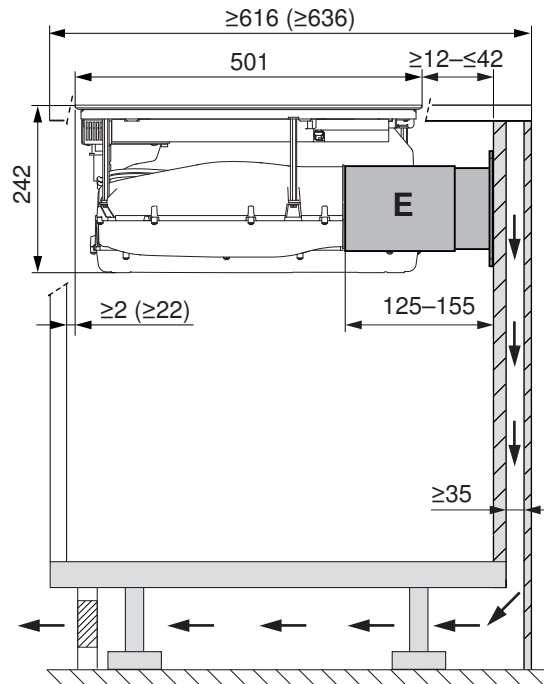


Observe local regulations on pipework RF1 (metal) and RF3 (plastic)!

CombiCookTop V2000 I604 (31175/31176)

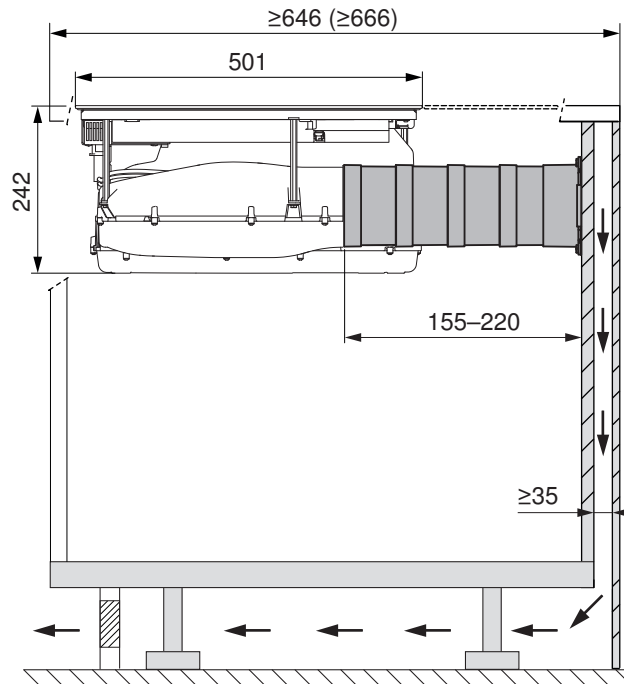
Dimensions in brackets are for installation of a hob with dials (available as an option).

Recirculation operation, unguided, with telescopic connection E

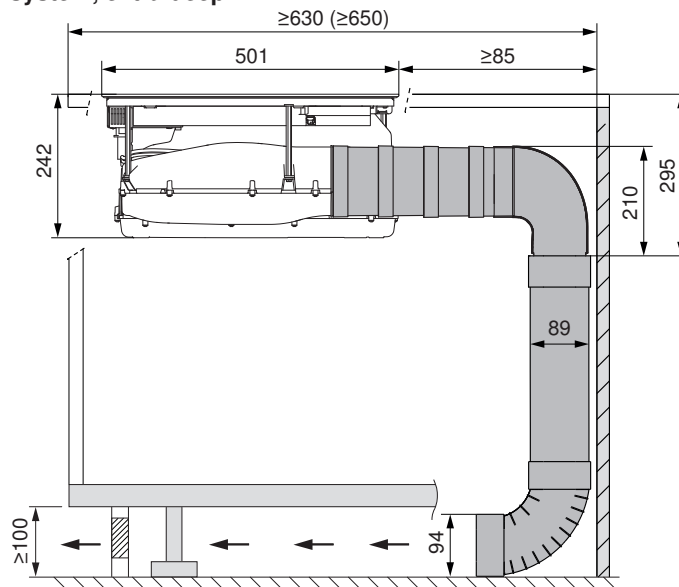
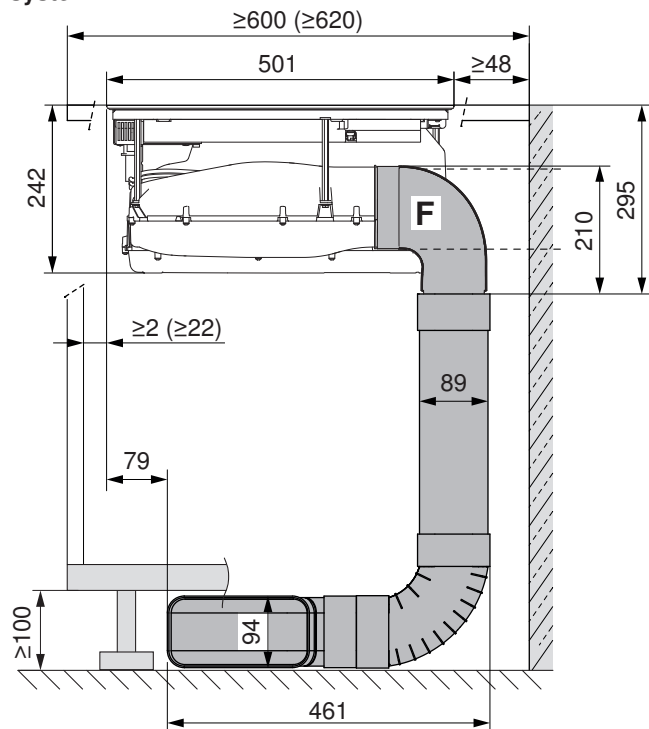


Extraction or recirculation operation with flat channel system

Recirculation operation, unguided, long

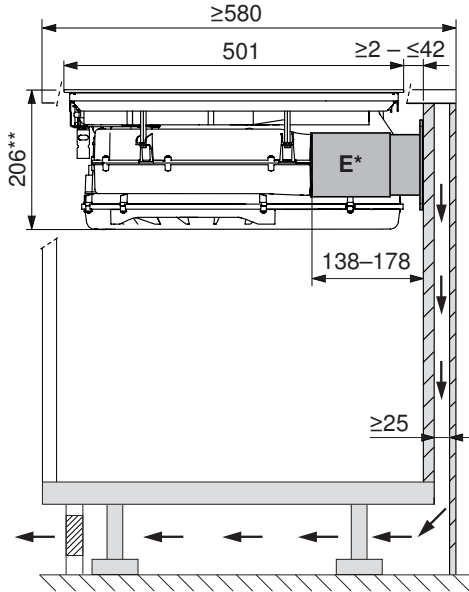


Extraction or recirculation operation with flat channel system, extra deep

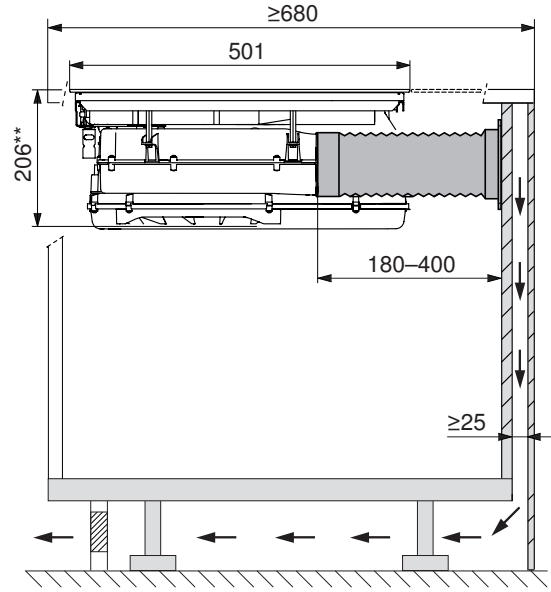


CombiCookTop V2000 I804 (31095), CombiCookTop V4000 I804 (31096)

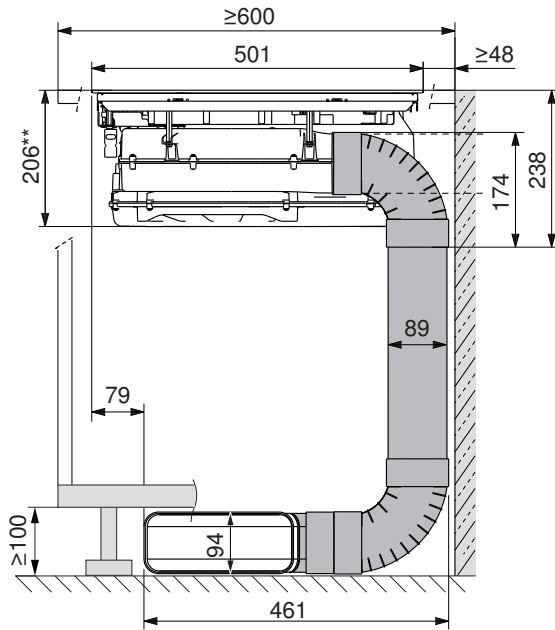
Recirculation operation, unguided, with telescopic connection (E*)



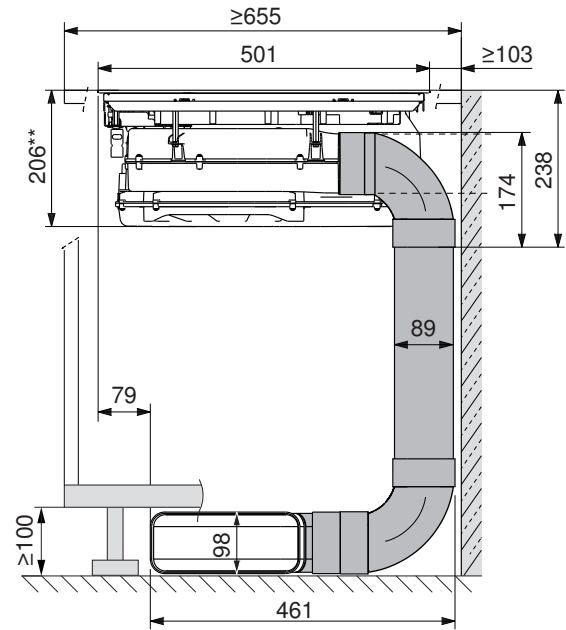
Recirculation operation, unguided, long



Extraction or recirculation operation with flat channel system, plastic

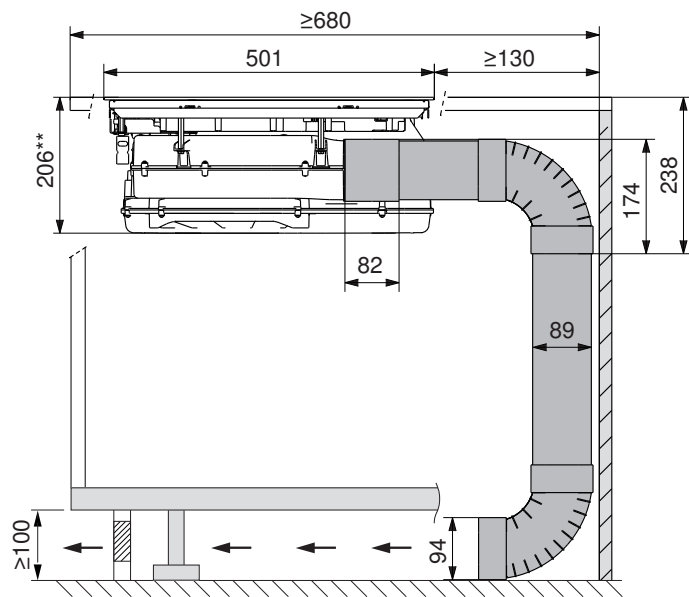


Extraction operation with flat channel system, metal



** = Flush installation (surface-mounted installation: 202 mm)

Extraction or recirculation operation with flat channel system, extra deep



** = Flush installation (surface-mounted installation: 202 mm)

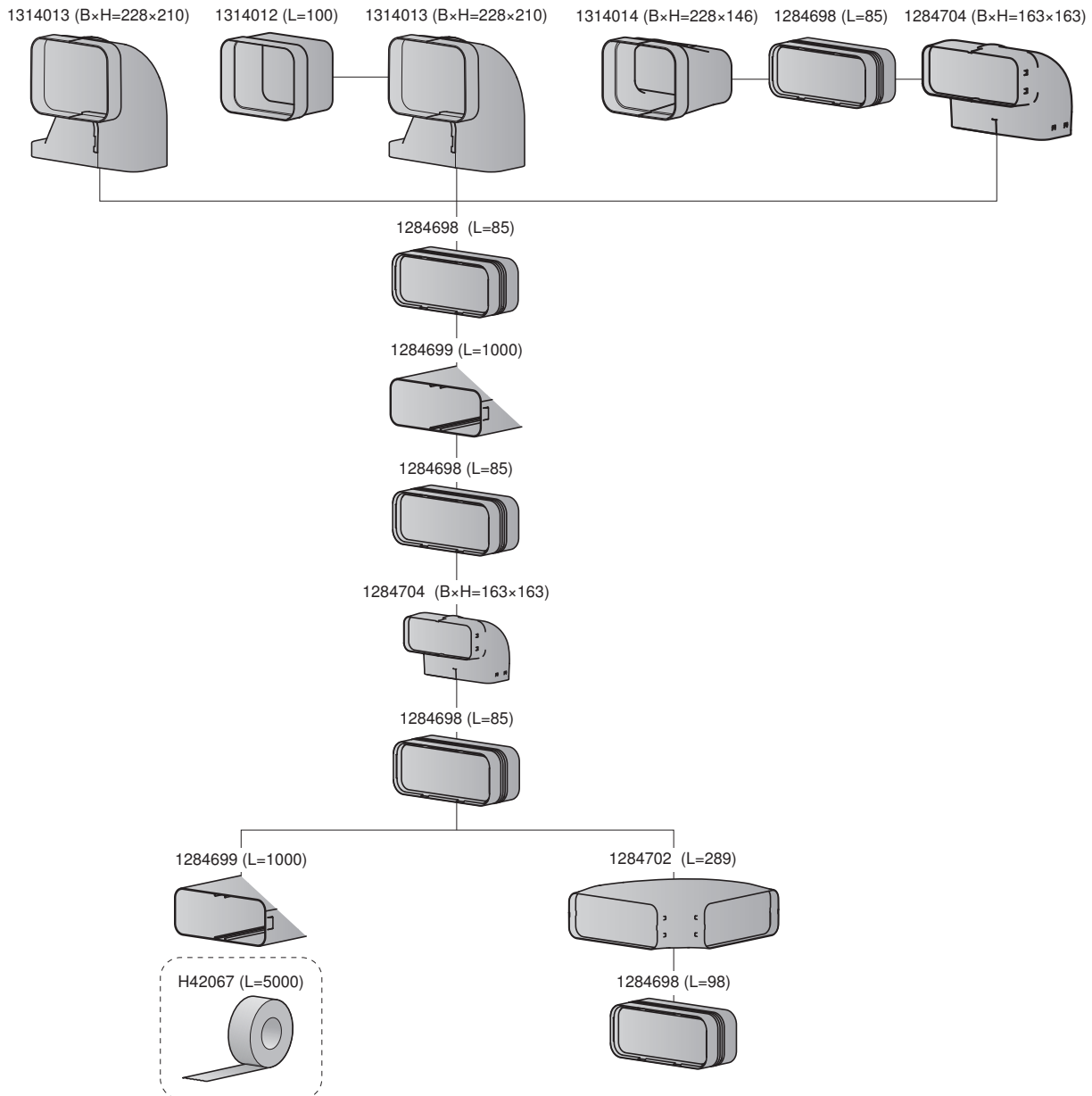
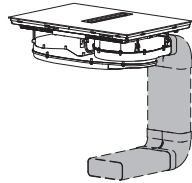


Flat channels, elbow variants and transition pieces are not included in the scope of delivery, but are available for order as accessories. The individual components required must be taken into account during planning.

11.8 Flat channel systems made of plastic (PRIME) for the CombiCookTop I604



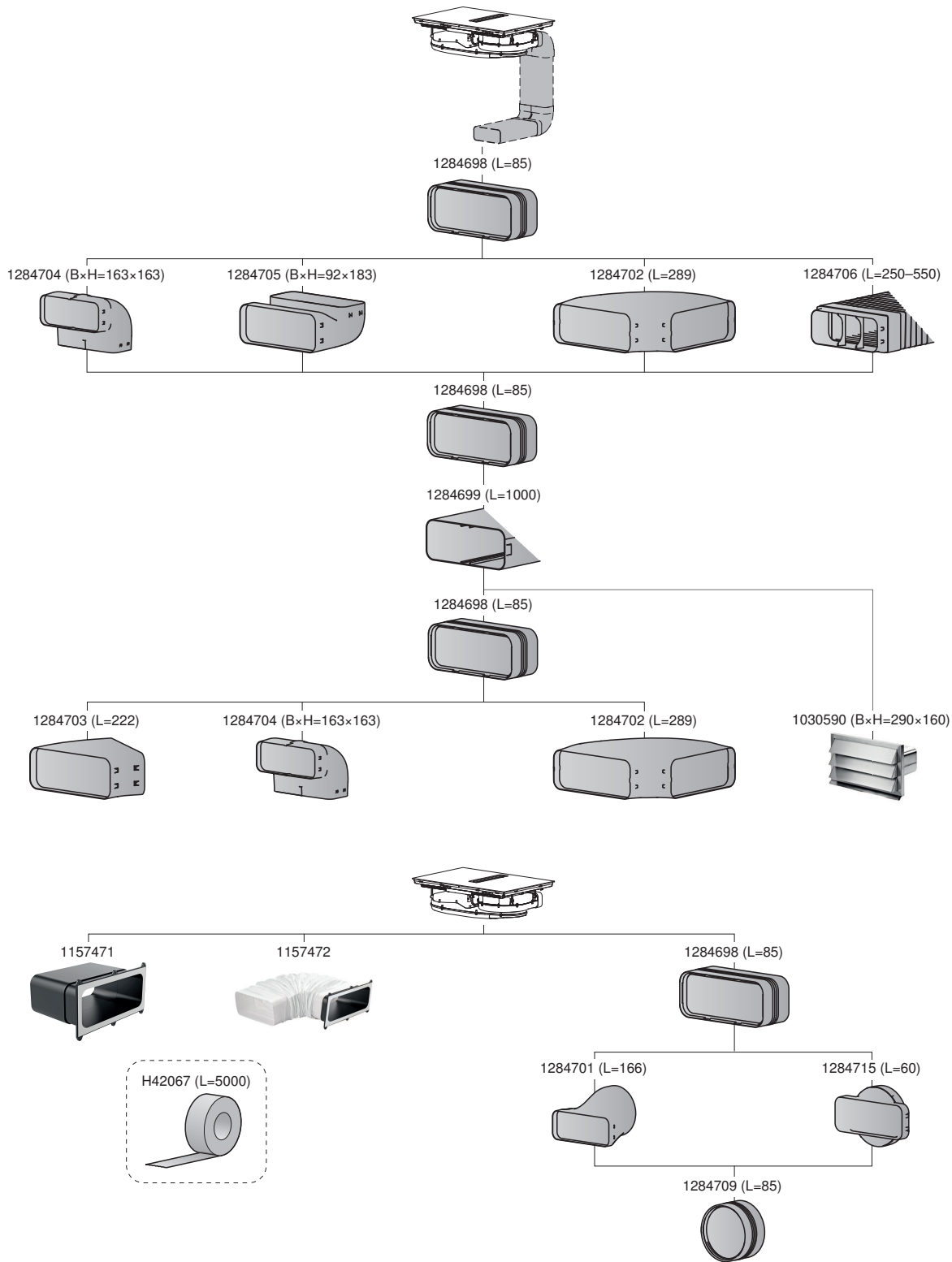
Plastic accessories are not made of fireproof material.



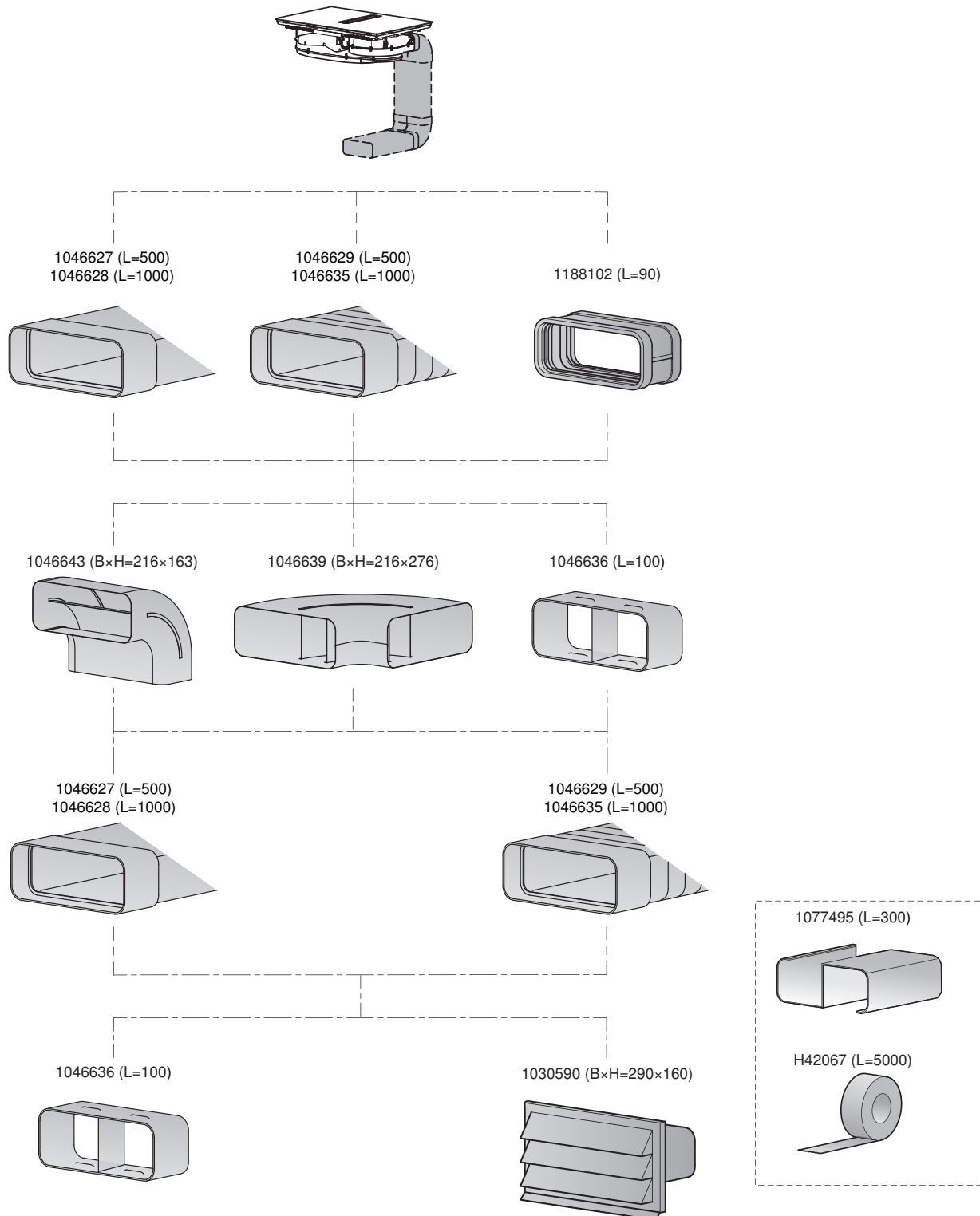
11.9 Flat channel systems made of plastic (PRIME) for the CombiCookTop I804



Plastic accessories are not made of non-flammable material.



11.10 Flat channel systems made of metal (RF1) for the CombiCookTop I804



The duct spacers 1077495 prevent the narrowing or compression of the air duct. Hence the use of duct spacers is necessary if accessory 1046627/1046628 is embedded in concrete.

11.11 Recirculation mode



An air outlet of $\geq 500 \text{ cm}^2$ at the exhaust duct of the range hood is recommended. During operation, the air outlet from the exhaust duct of the range hood must not be obstructed. This can be achieved through a shadow gap at the plinth panel or the use of a ventilation grille.



For CombiCookTop I804: Dedicated accessories that need to be fitted to operate the appliance in the recirculation mode: long-life-Plus activated charcoal filter 1155757!

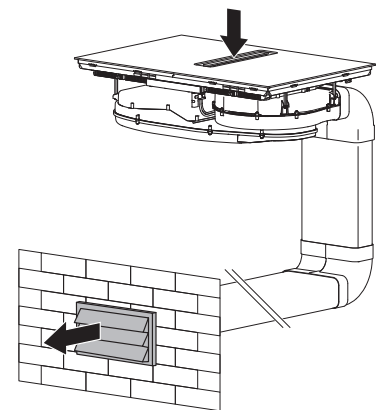
For CombiCookTop I604: The long-life-Plus activated charcoal filter (1225994) or standard activated charcoal filter (1312930) is a dedicated accessory that needs to be fitted in order to operate the appliance in the recirculation mode!

11.12 Extraction mode

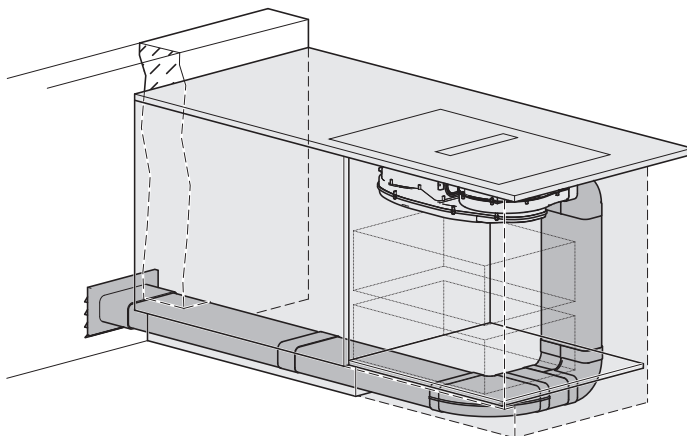


There is a danger of toxic fumes developing if the range hood is operated at the same time as an ambient air-dependent firing system!

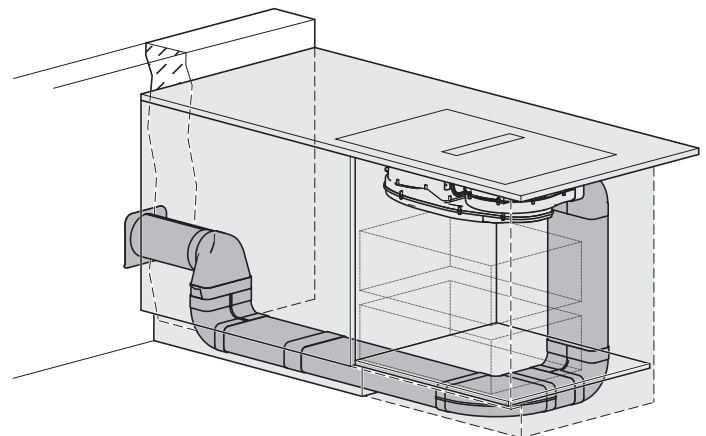
- If possible, only use pipes with a smooth inner surface for exhaust ductwork.
- Length of flat channel system to air outlet: 6 m channel section with six 90° elbows, 8 m with four 90° elbows or 10 m with two 90° elbows are realizable. If the exhaust duct is to be routed outdoors, we recommend installing a suitable wall box (accessory available for order).
- To achieve the greatest possible air extraction with the lowest noise levels, please observe the following:
 - Use 222 × 89 mm flat channel or pipe with $\geq \text{ø}150 \text{ mm}$ (accessory available for order).
 - The exhaust ducting should be as short and straight as possible and must not be kinked or compressed.
 - Only use connection elbows with large radii.
 - Ensure all pipe connections are secure and airtight.



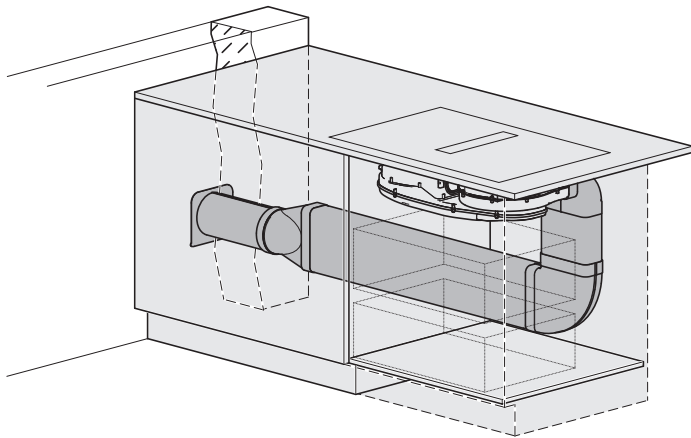
Lateral exhaust air outlet via plinth



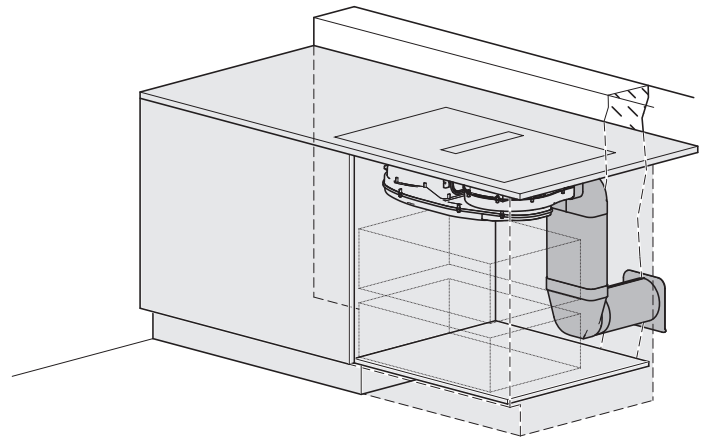
Lateral exhaust air outlet via plinth



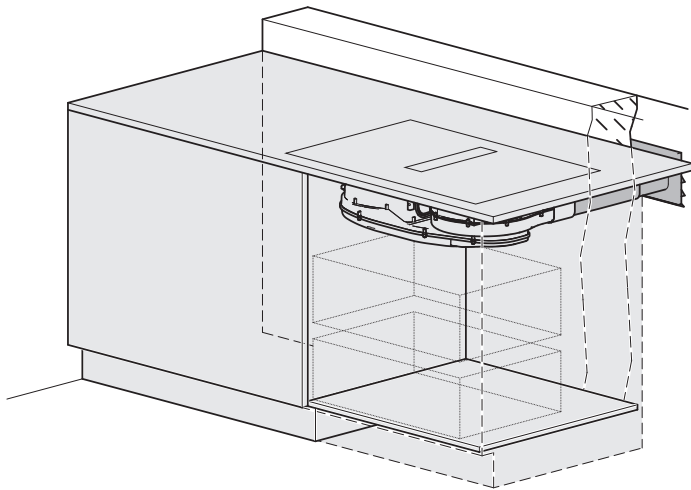
Lateral exhaust air outlet



Rear exhaust air outlet with elbow

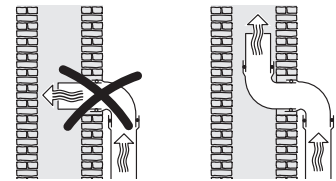


Rear exhaust air outlet straight without elbow

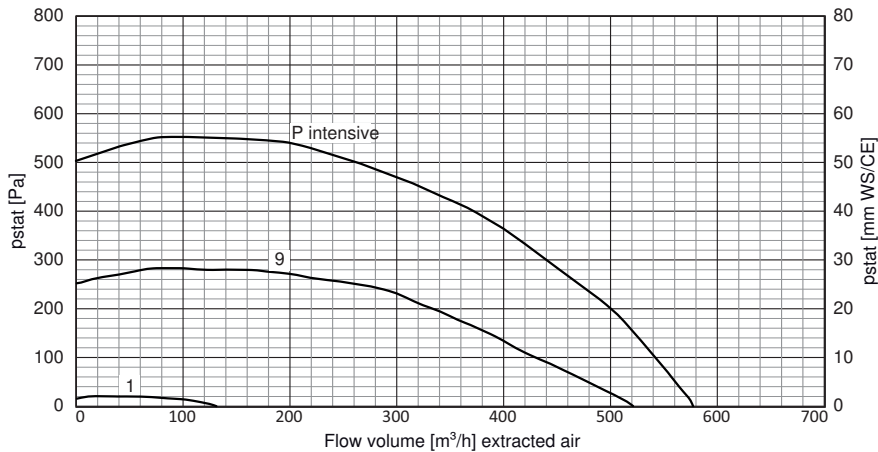


Any constriction of the airflow will reduce extraction performance and increase operating noise.

- If the exhaust duct is to be routed outdoors, we recommend installing a wall box (available as an accessory).
- If the exhaust air is to be ducted into a chimney flue, the intake piece must be aligned with the flow direction of the flue.
- If the exhaust duct runs through cool rooms, lofts, etc., there may be sharp variations in temperature in individual areas. Vapour and condensation is to be expected. This makes it therefore necessary to insulate the exhaust ducting / air duct.



Performance diagram: Exhaust air flow volume



12 Range hoods



Technical information on the range hoods can be found in document «TechInfo for range hoods» under J32836 (EN), 1007182 (IT), 1008408 (DE), 1008409 (FR).

12.1 General notes



If other firing systems are being used at the same time (e.g. wood, gas, oil or coal fired heating appliances), safe operation is only possible providing a room negative pressure of 4 Pa (0.04 mbar) is not exceeded at the location of the appliance.

Risk of toxic fumes! An adequate flow of fresh air must be guaranteed e.g. via non-closable openings in doors or windows and in combination with an air-intake/exhaust-air wall box or by other technical means. Local fire protection regulations must be observed. V-ZUG offers exhaust ducts made of plastic (construction material category RF3) and metal (construction material category RF1).



If the appliance has an options connection, it can be used to open and close an automatic exhaust air / supply air flap. See also Accessories: Control set option, for external roof ventilation fans, room fans and other applications.



Efficient repairs can only be guaranteed if it is possible to uninstall the whole appliance at any time without causing any damage.

Minimum distance to the hob



If a V-ZUG appliance is being combined with a third-party brand (hob or range hood) and the stipulated minimum distance between the combined appliances is different, then the greater of the two must be observed. The minimum distance is measured between the bottom edge of the range hood and the bottom of the pot or pan. If the appliance is installed over gas hobs, each cooking zone must be fitted with an ignition fuse.

Extraction mode



The air must not be discharged into a flue that is used for exhausting fumes from appliances burning gas or other fuels.
Observe the local fire safety regulations.

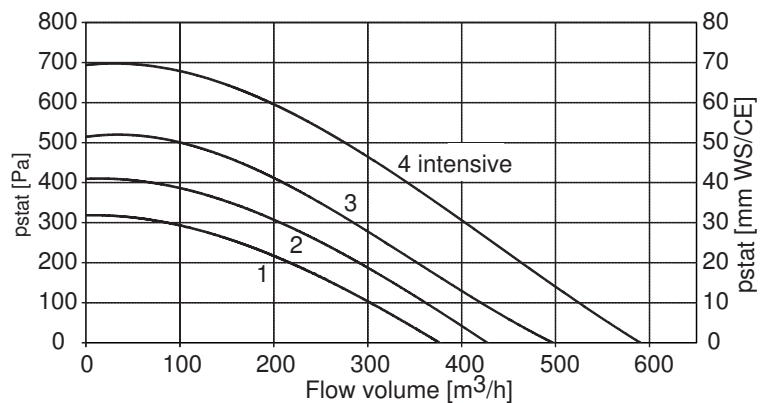
Installation notes

- In addition to the correct dimensioning of the exhaust duct, it is also necessary to ensure a sufficient inflow of fresh air. **to replace the air that is being extracted.**
- Avoid routing the exhaust duct to the side through the chimney casing.
- Planning features for non-destructive de-installation and maintenance of the appliance:
 - Do not route telescopic casing in suspended ceilings.
 - Avoid silicone joints between the telescopic casing and the appliance.
 - All plastering, plasterboarding, wall papering and painting work is to be carried out prior to installing the appliance.

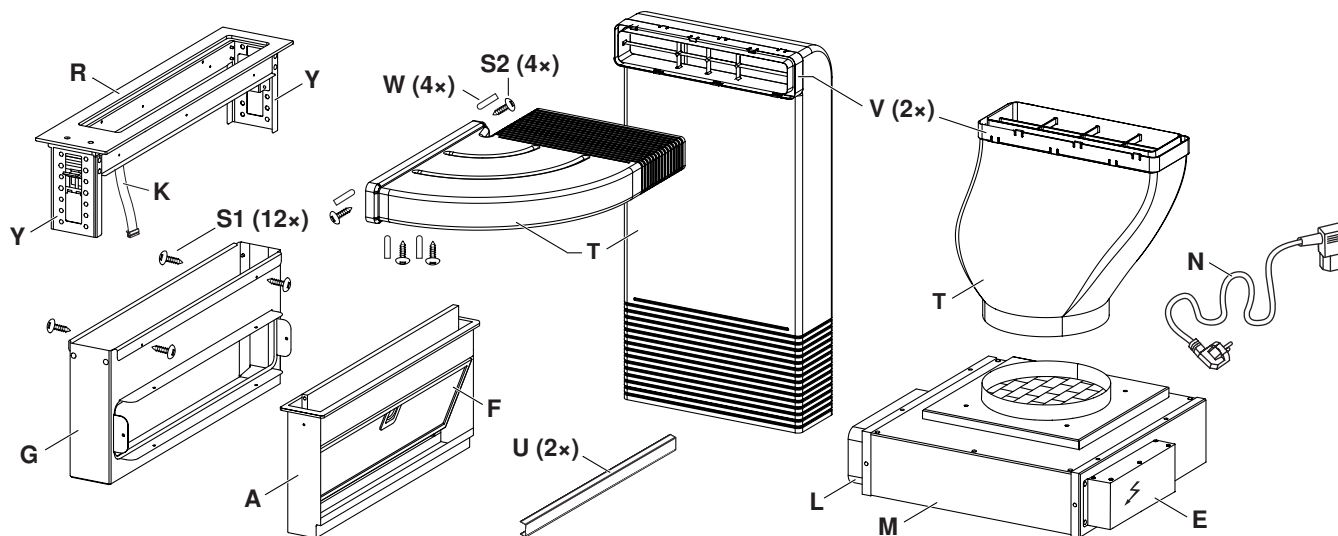
12.2 Electrical connection data



The fixed adapter (article no. 1245010) must be used in conjunction with the type K socket to ensure the safety of the product (earthing). Is supplied with appliances for Denmark (see page 151).



Scope of delivery



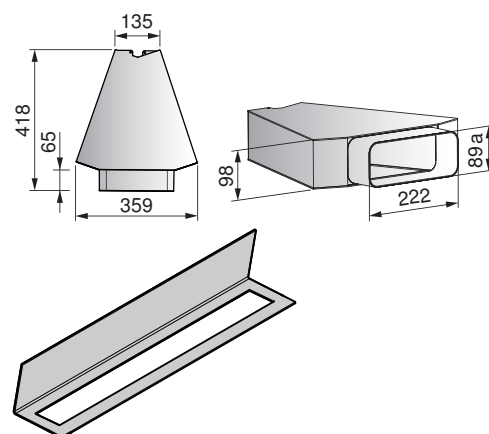
- | | |
|------------------------------|--|
| A Drip tray frame | N Mains cable length 1.8 m |
| E Control unit | Q Flat channel system |
| F Metal grease filter | R Frame |
| G Appliance housing | T Exhaust air duct |
| K Control cable | U Spacer profile |
| L Ventilation outlet | V Connecting elements |
| M Fan motor | W Plastic covers |
| | Y Mounting angle (surface-mounted installation) |

Accessories:

Recirculation box 1157470

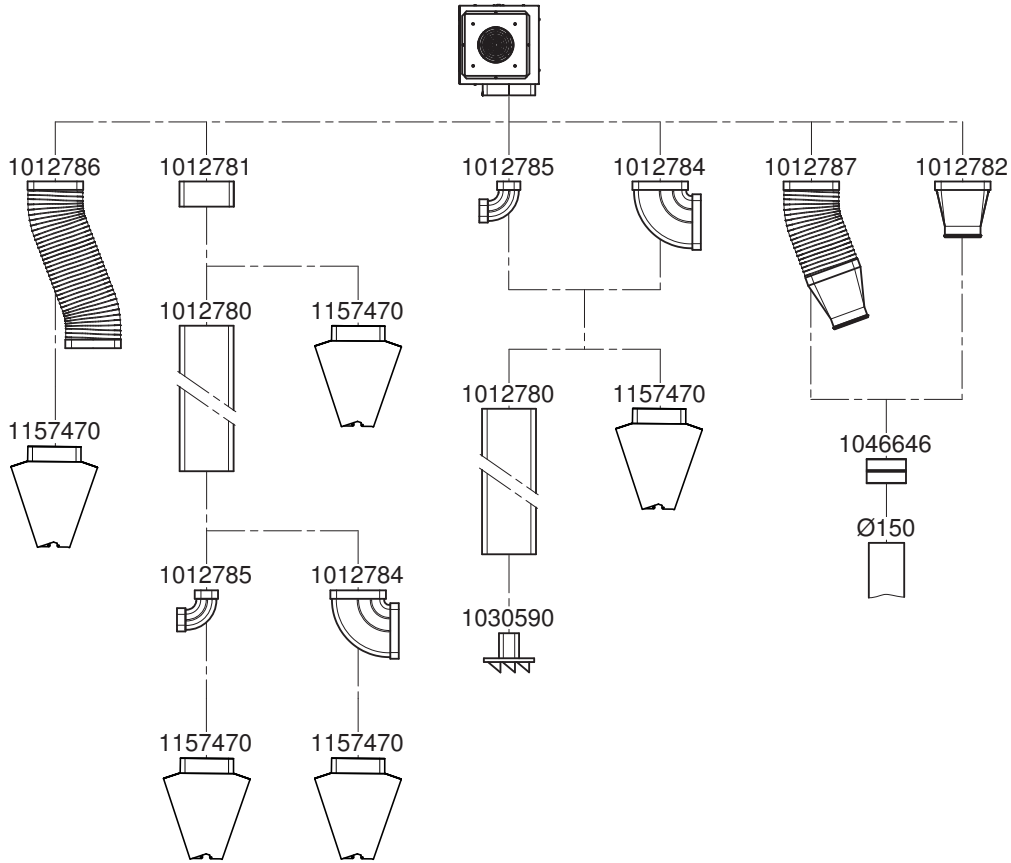
A flat channel system can be used for the installation (see the following pages and Accessories).

Gas deflector 1031218, required accessory when using a permitted V-ZUG gas hob. Operating a gas appliance without the gas deflector is not permitted!

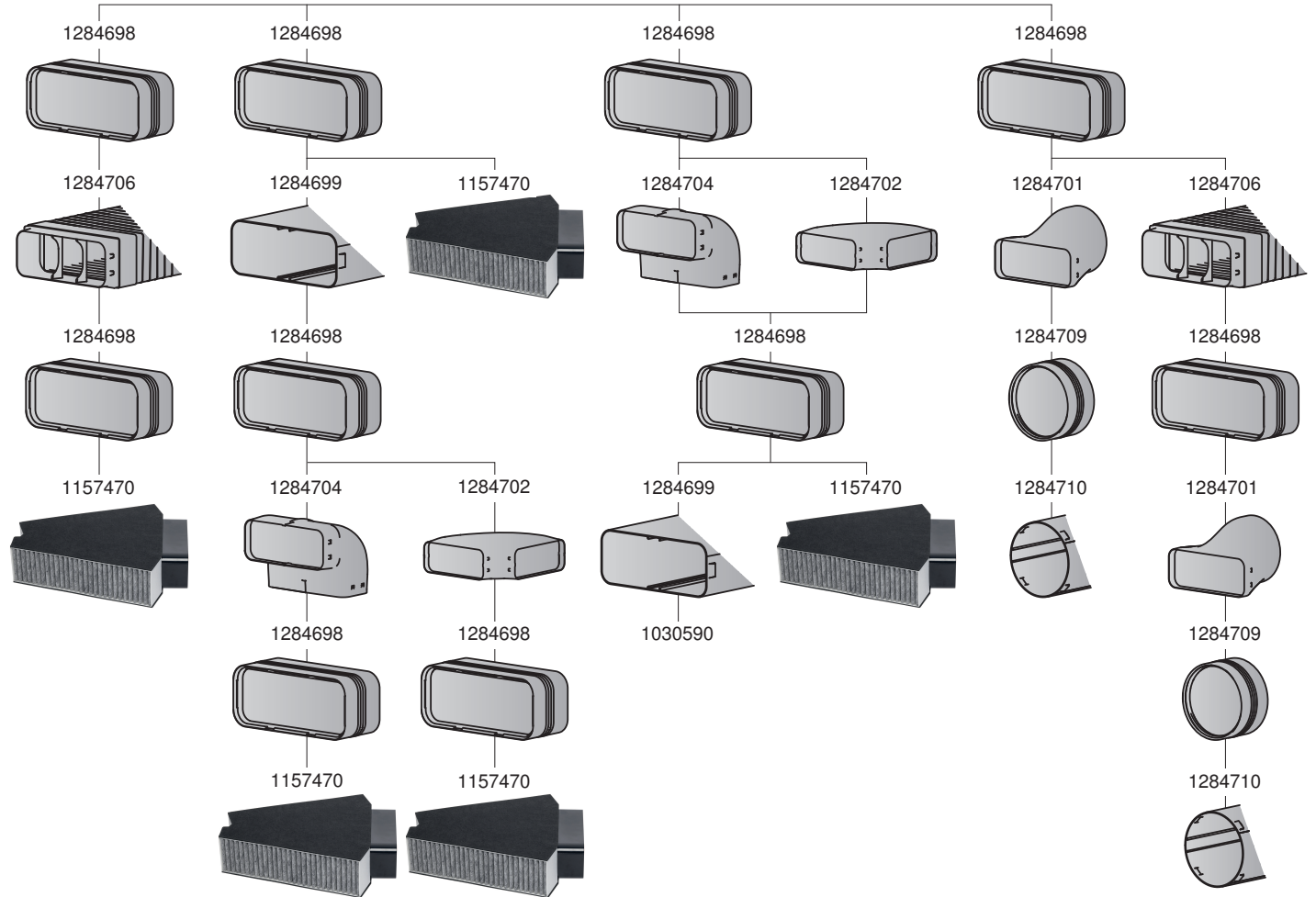
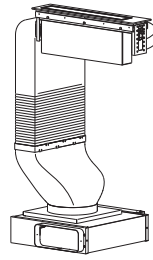




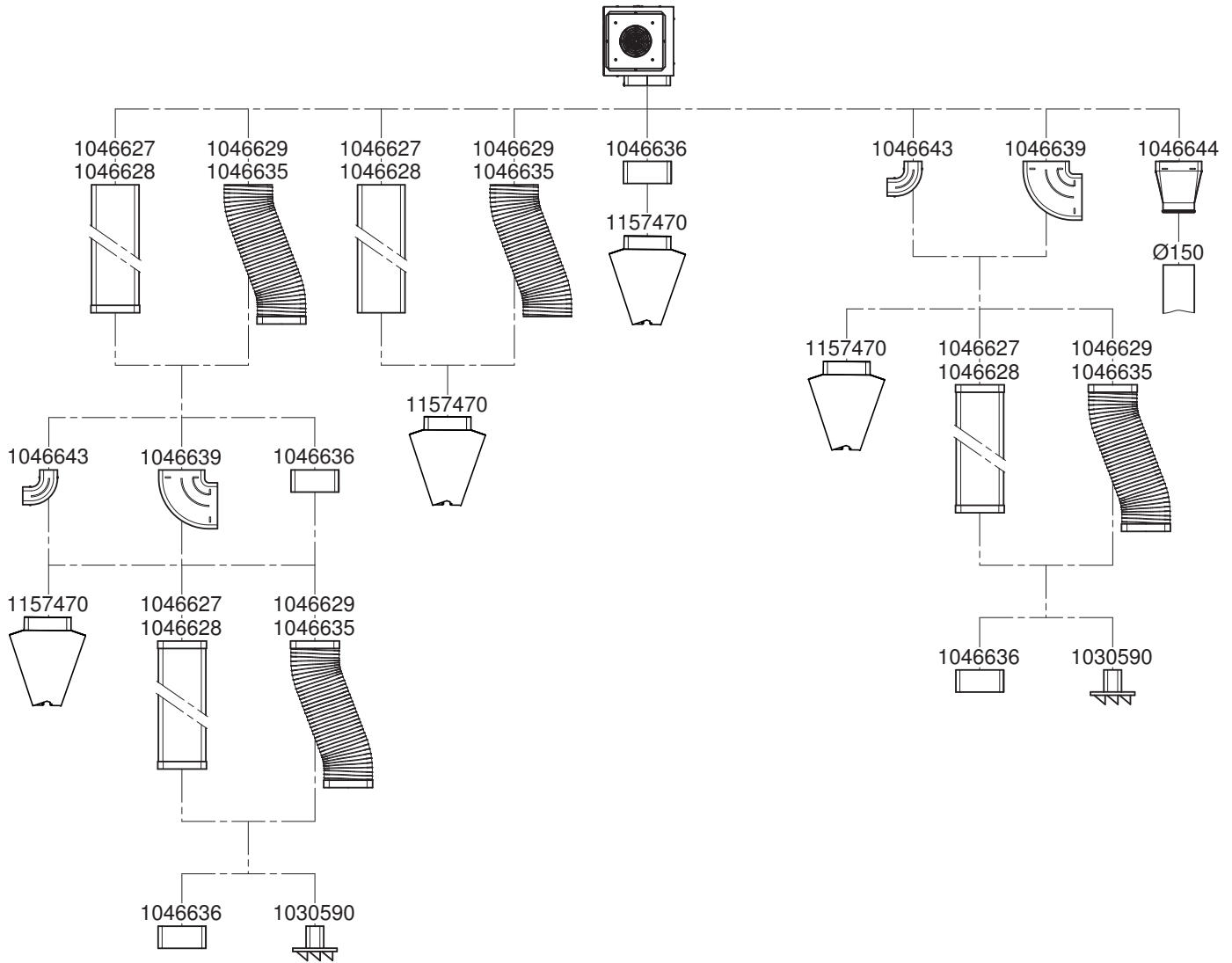
Plastic accessories



Flat channel systems made of plastic (PRIME)



Metal accessories



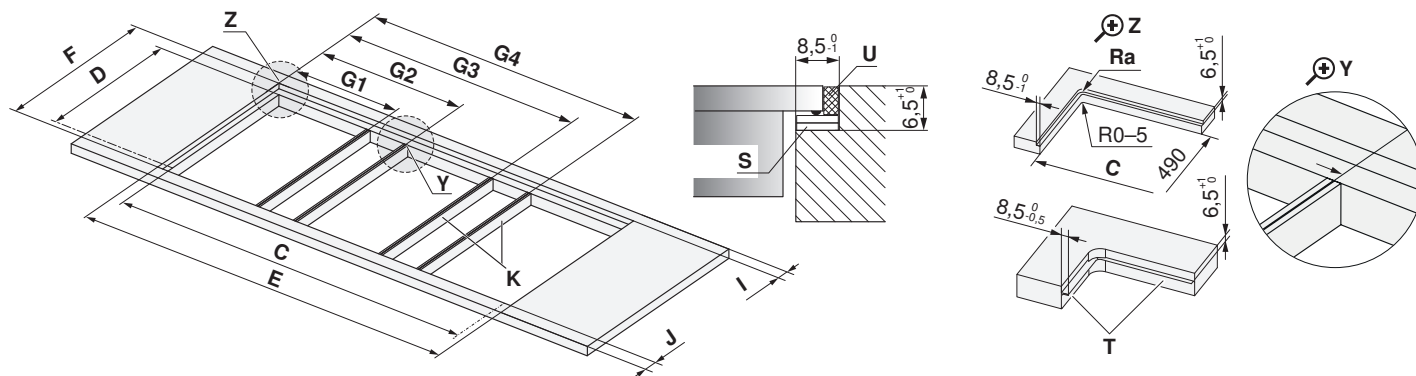
Combination installation

Flush installation

Flush-mounted installation with additional intermediate supports **K** requires the accessory **intermediate support set H63789** (contains two intermediate supports). Flush-mounted combination installation is described in document 1014378.



A WOK glass ceramic hob cannot be surface mounted!
Reason: Glass thickness is 6 mm.



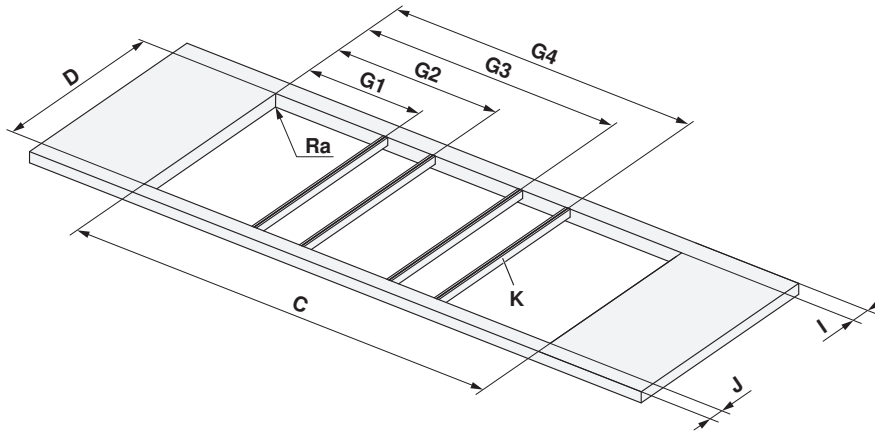
- F** 507±1 mm
- D** 490±1 mm
- I** ≥41.5 mm
- J** ≥41.5 mm
- Ra** 5 mm

- Ra** Outer corner radii of cut-out
- K** Intermediate support
- S** Spacer plates
- T** Steel angle bonded or screw mounted
- U** Silicone joints

Combinations	Cut-out width E	Cut-out width C	Intermediate support position G1	Intermediate support position G2	Intermediate support position G3	Intermediate support position G4
30+11+30 cm	684 mm	667 mm	285.5 mm	398.5 mm	-	-
30+11+40 cm	787 mm	770 mm	285.5 mm	398.5 mm	-	-
40+11+40 cm	890 mm	873 mm	388.5 mm	501.5 mm	-	-
11+80+11 cm	993 mm	976 mm	114.5 mm	878.5 mm	-	-
40+11+40+11+40 cm	1390 mm	1373 mm	388.5 mm	501.5 mm	888.5 mm	1001.5 mm
40+11+60+11+40 cm	1577 mm	1560 mm	388.5 mm	501.5 mm	1075.5 mm	1188.5 mm
40+11+70+11+40 cm	1697 mm	1680 mm	388.5 mm	501.5 mm	1195.5 mm	1308.5 mm
40+11+80+11+40 cm	1767 mm	1750 mm	388.5 mm	501.5 mm	1265.5 mm	1378.5 mm

Surface-mounted installation

Surface-mounted installation requires the accessory **side strip set 1028587** and either the intermediate support **K 1019199** (black) or **1014361** (stainless steel). Articles are available for order as accessories. Surface-mounted combination installation is described in document 1013770.

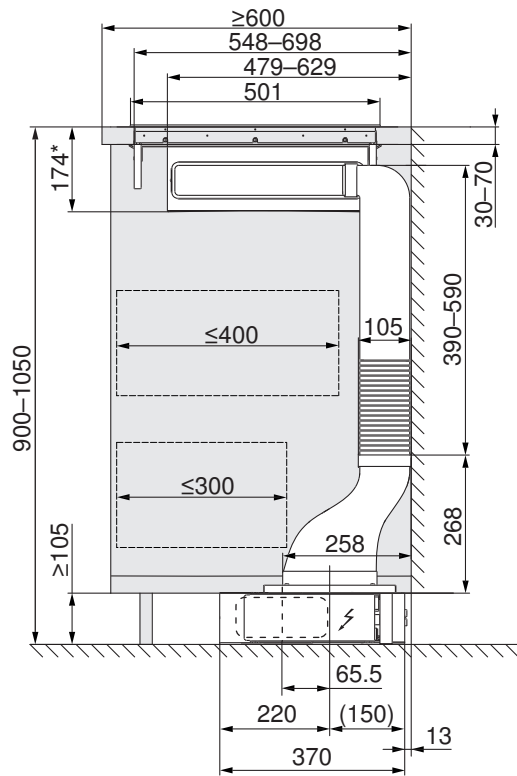


- D** 490±1 mm
- I** ≥50 mm
- J** ≥50 mm
- Ra** 0–5 mm
- Ra** Outer corner radii of cut-out

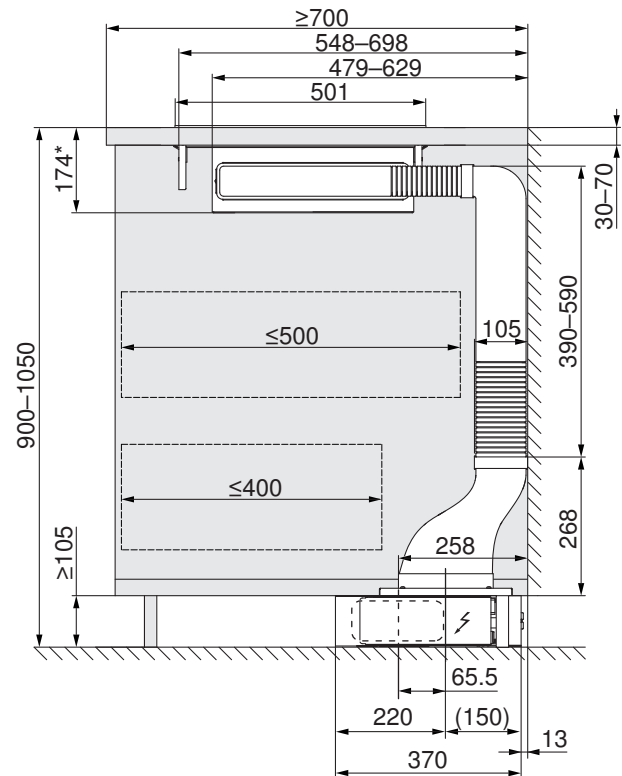
Combinations	Cut-out width C	Intermediate support position G1	Intermediate support position G2	Intermediate support position G3	Intermediate support position G4
30+11+30 cm	667 mm	277 mm	390 mm	-	-
30+11+40 cm	770 mm	277 mm	390 mm	-	-
40+11+40 cm	873 mm	380 mm	493 mm	-	-
40+11+40+11+40 cm	1373 mm	380 mm	493 mm	880 mm	993 mm
40+11+60+11+40 cm	1560 mm	380 mm	493 mm	1067 mm	1180 mm

Installation overview for base

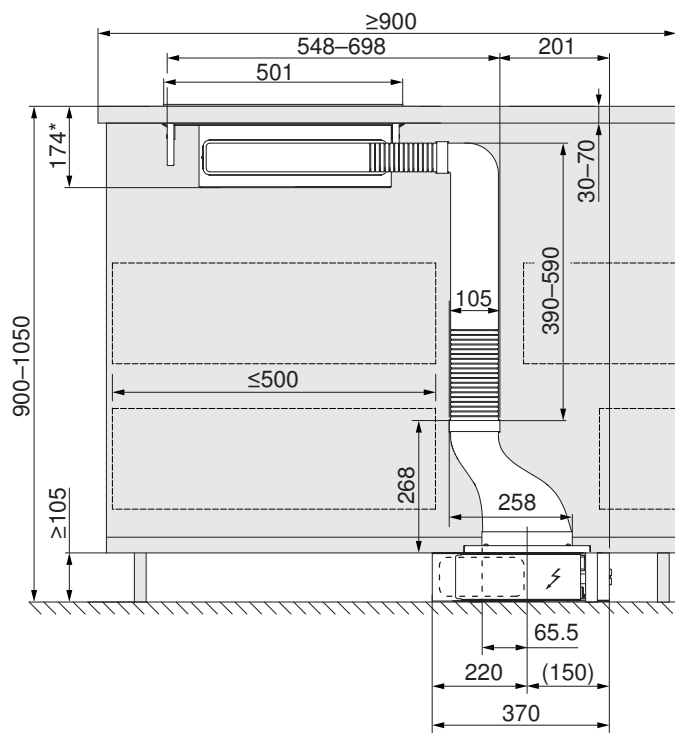
Wall installation, depth ≥ 600 mm



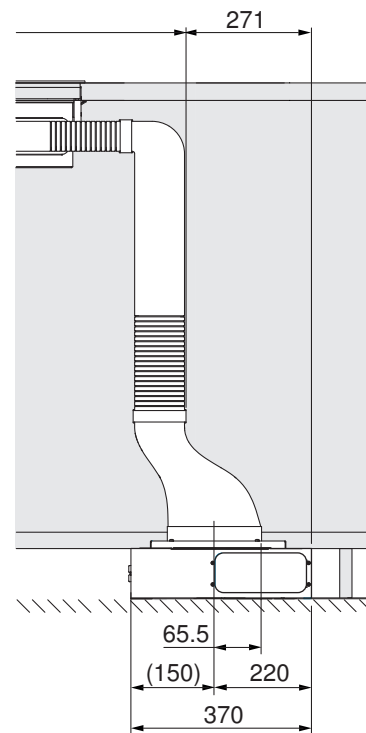
Wall/Island installation, depth ≥ 700 mm



Island installation, depth ≥ 900 mm



Variant with rotated fan motor



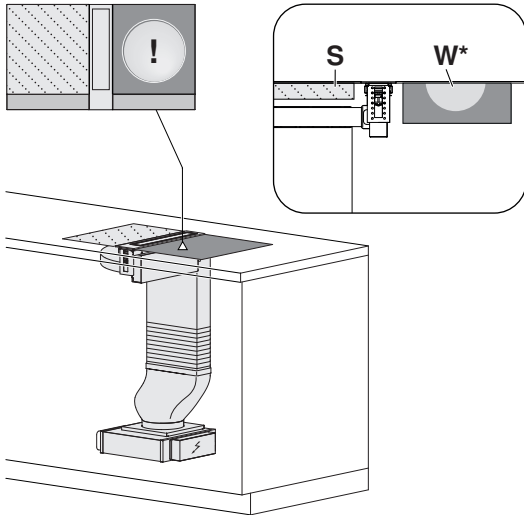
* Flush installation. Surface-mounted installation: 170 mm.


Appliance selection and combination possibilities

1. Planning example: Two hobs

Air duct in base to left/right.

The WOK glass ceramic hob / gas hob **W** is **always** positioned on the opposite side of the exhaust air duct. Standard hob **S**.

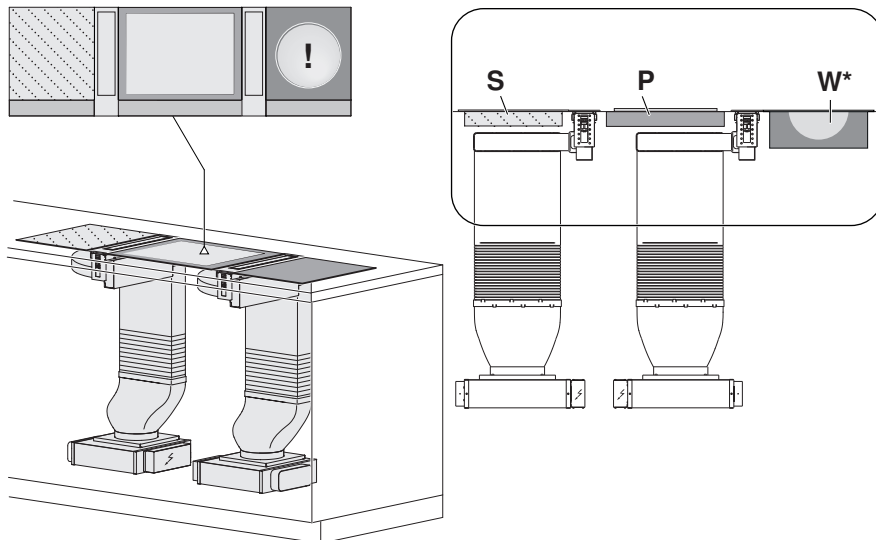


 **A WOK glass ceramic hob and gas hob may not be combined! In general, the use of a gas wok, in any combination, is not permitted.**

2. Example: Three hobs

Air duct in base on both sides to left/right.

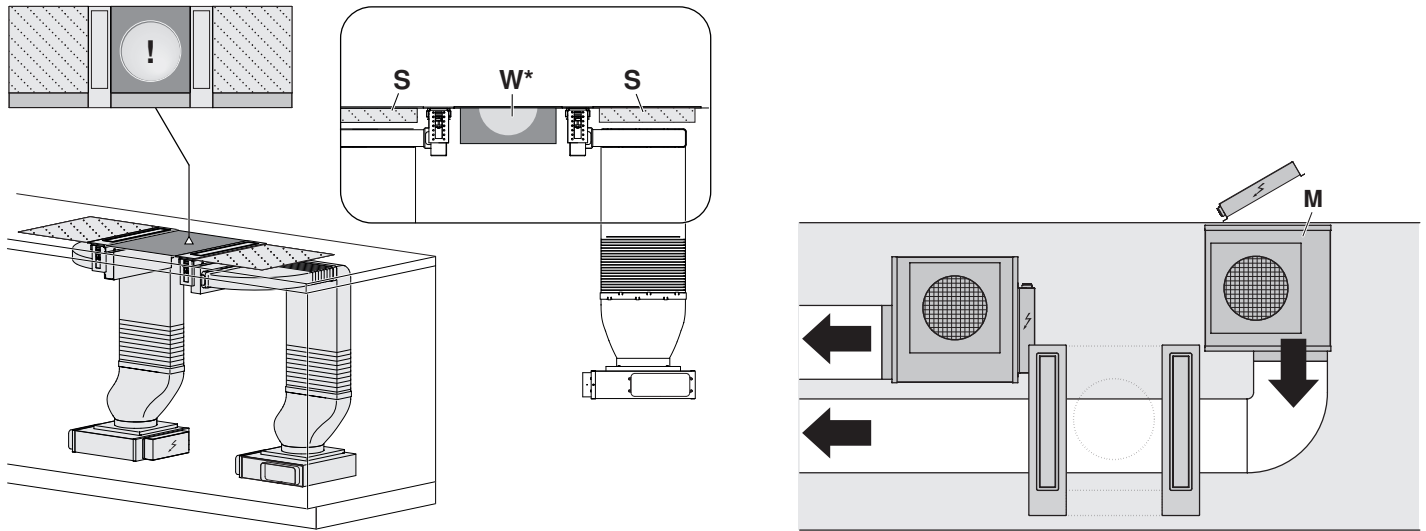
The Teppan Yaki hob **P** (600 mm) is positioned in the middle. The WOK glass ceramic hob / gas hob **W** is **always** positioned on the opposite side of the exhaust air duct. Standard hob **S**.



3. Example: Three hobs

Air duct in base on both sides to outside.

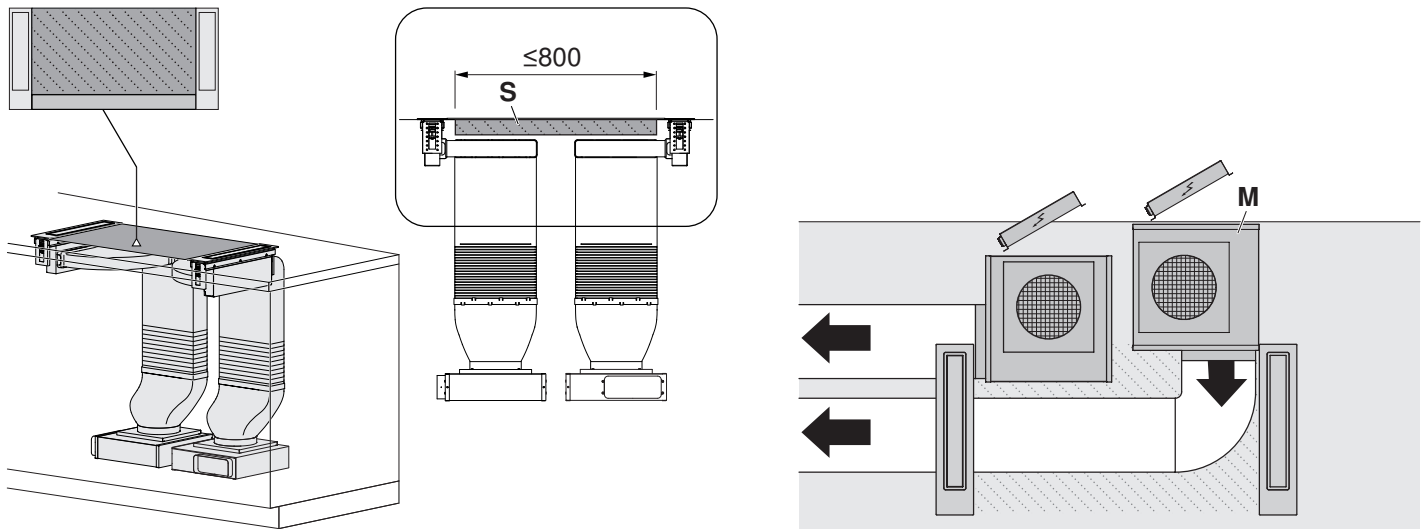
The WOK glass ceramic hob / gas hob **W** (400 mm) is positioned in the middle. Standard hob **S**. Possible position of 2 fan motors **M**.



4. Example: Large hob positioned in the middle

Air duct in base on both sides to inside for space economy.

Allows standard hob **S** with ≤ 800 mm installation width to be positioned in the middle. The WOK glass ceramic hob / gas hob **W** can **not** be positioned in the middle. Possible position of 2 fan motors **M**.



For use with a gas appliance



The hob hood may only be used with the dedicated gas deflector 1031218 (accessory) with one of the gas appliances listed below. Operating the hob hood without the gas deflector is not permitted!

**Permitted gas appliances for use with the hob hood:**

V-ZUG gas hob type: **GAS321x**, **GAS421x**, **GAS641x**, observing the permitted combination installation variants.



Combining the hob hood with two gas hobs is not permitted!



Using another gas appliance type/model or manufacturer is not permitted and can cause lasting damage to the hob hood.

Failure to observe the above instruction can cause lasting bodily harm and lasting damage to property and the appliance. In such a case, any and all liability, guarantee and goodwill claims will be rejected, now and in the future!

**Risk of burns!**

The appliance and surrounding components get hot during operation! Allow the fan flap, gas deflector and other components to cool down before touching them.

**Fire hazard!**

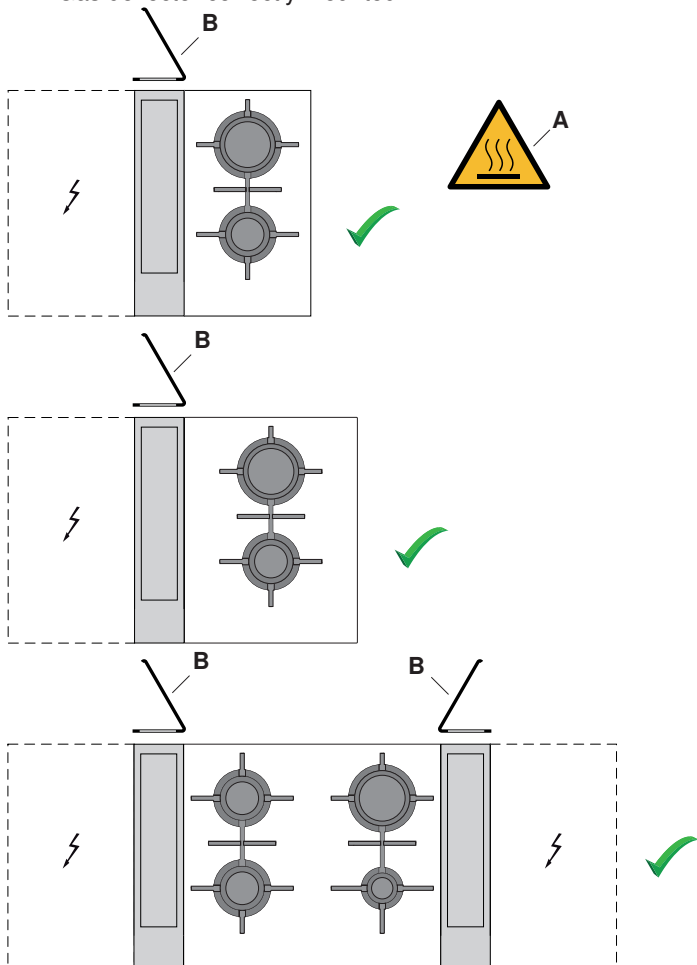
Grease deposits can build up in the grease filter and catch fire. Clean the grease filter regularly. Only operate the appliance with the gas deflector.

Permitted installation variants (V-ZUG gas hob only)

As a variant may also be installed on either side of the appliance.

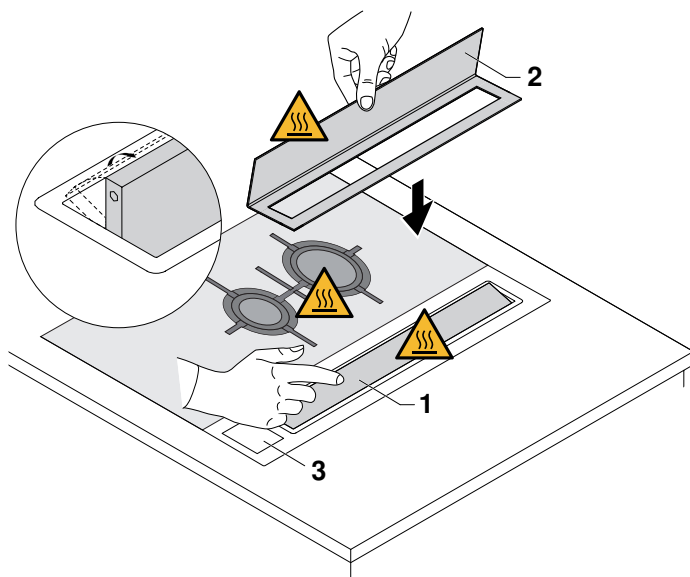
A Caution: Hot surface!

B Gas deflector correctly mounted.



The gas deflector 1031218 (required accessory) reduces the deflection/disturbance of the gas flame at the burner and prevents it being extinguished by a draft.

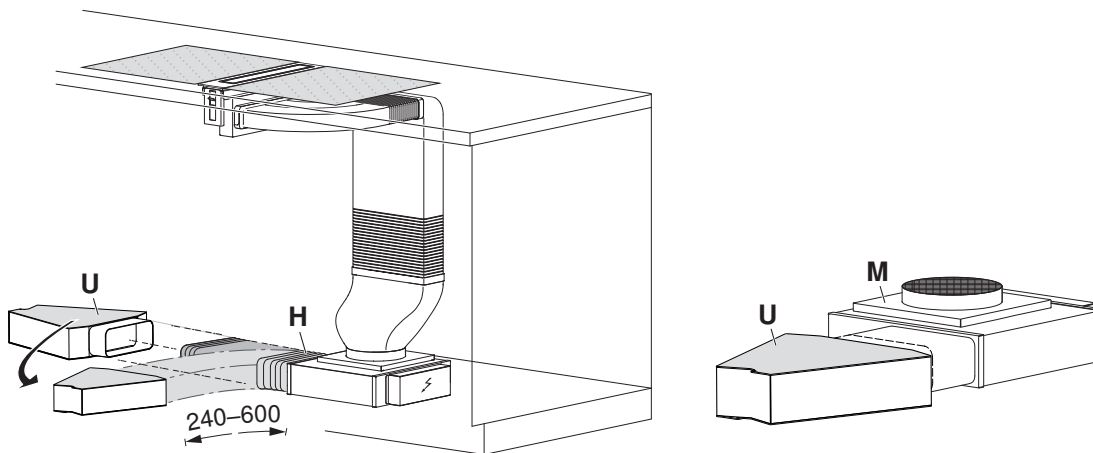
- ▶ Open fan flap 1.
- ▶ Set the gas deflector 2 in the correct position relative to the gas appliance.
- ▶ Switch on hob hood 3.



Installation variant for recirculation hob hood with «recirculation box»

Example: Recirculation mode with recirculation box

Flat flexible elbow **H**, article no. **1012786**, with flexible length (240–600 mm) easy installation/access to fan motor **M** and recirculation box **U**.



Plan in enough space for maintenance work and ensure access to the fan motor and the recirculation box (for replacing the activated charcoal filters)! Exhaust air outlet cross section: plan min. 500 cm² for exhaust air in base area.

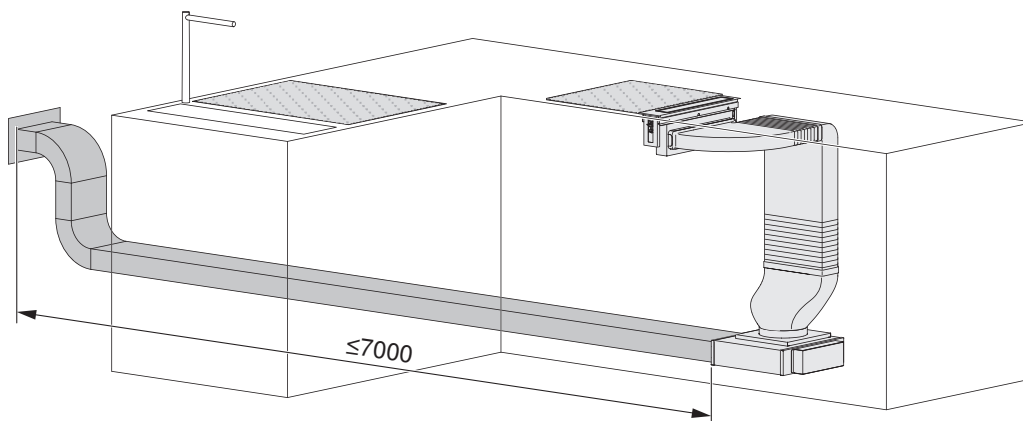


Dedicated accessories that need to be fitted to operate the appliance in the recirculation mode: article no. 1157470 recirculation box with activated charcoal filters!

Installation variant for extraction hob hood

Example: Extraction mode with flat channel (round channel also possible).

Plan in length of flat channel system to air outlet of **max. 7000 mm**. If the exhaust duct is to be routed outdoors, we recommend installing a telescopic wall box (accessory available for order).

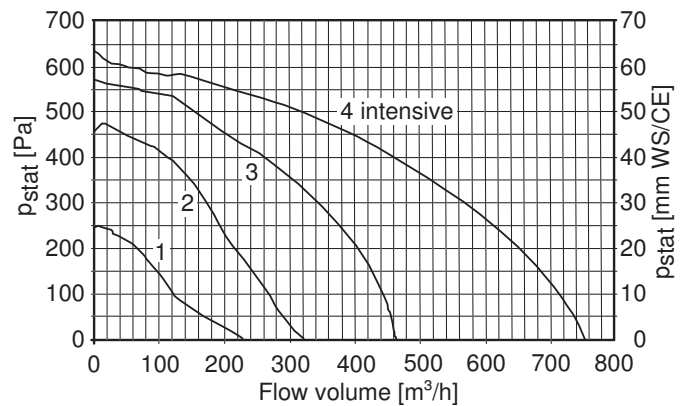
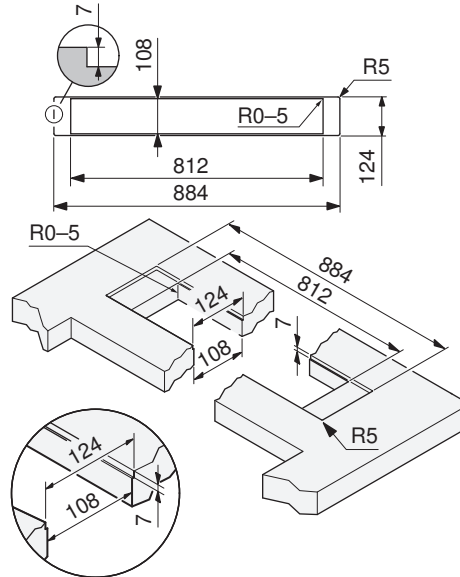
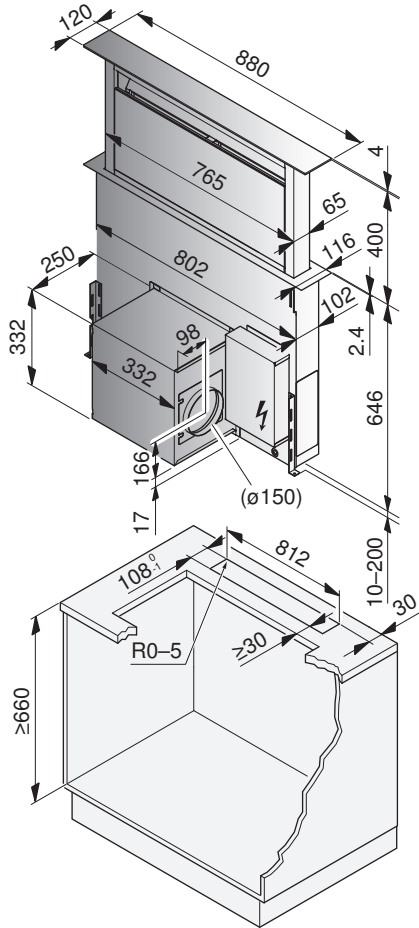


Ensure enough space for maintenance work and access to the fan motor and flat channel system!

DSTS downdraft hood (64015)

Operating mode	Extraction/Recirculation
Noise level	43–68 dB (A) / 42–69 dB (A)
Illumination	1 × 5 W
Motor	1 × 250 W
Surface-mounted installation variant	

Mains connection	220–240 V~ 50–60 Hz, 255 W
Fuse	10 A
Fan speeds	4
Weight	~35 kg
Flush installation variant	

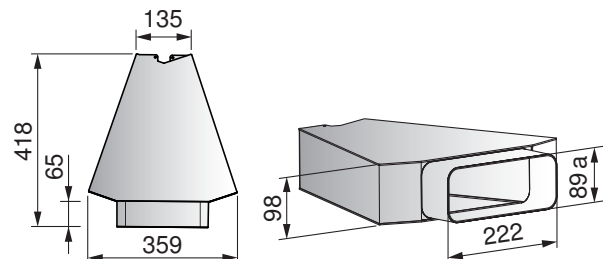


Recommendation: Hobs of the construction type «Panorama» and «Domino».

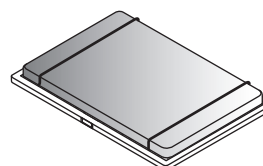
- As an alternative, the motor housing may be planned and mounted to the range hood from the back, though access must be guaranteed from the front for service and installation.
- The exhaust connection can be positioned to point in one of four directions.
- If using recirculation box 1157470, a transition piece 1012782 or H42078 is needed for its installation. A flat channel system can be used for the installation (see Accessories).

Accessories:

Recirculation box with activated charcoal filters 1157470



or
 Long-life activated charcoal filter 1012163



Exhaust air outlet cross section: plan min. 500 cm² for exhaust air in base area.

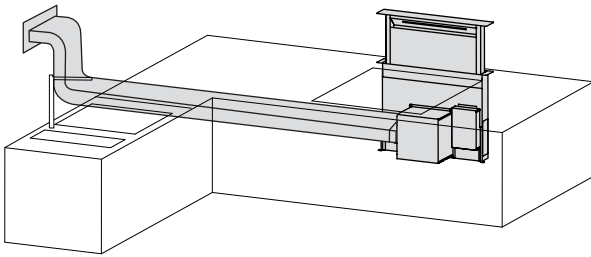
Downdraft hood

The fan can be rotated for mounting. The exhaust air can thus be extracted upwards, left, right or downwards. The fan can also be mounted in the same position at the back of the appliance. If the fan is to be mounted at the back of the appliance, then the rear panel of the cabinet has to be cut out where the fan is to be mounted and ensure sufficient installation space behind the cabinet. Access must be guaranteed from the front for service and installation. The electricians can, if required, be positioned to the left of the fan, on the hood body or in the cabinet. Variants with external motor as an option are also possible.

Installation variants

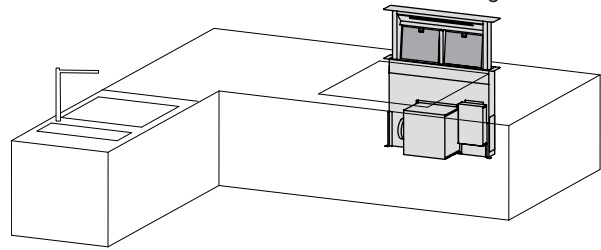
Downdraft extraction hoods

For this installation variant, the base fan feeds the exhaust air through the exhaust air pipe or in a space-saving way through a flat channel through the wall.



Downdraft recirculation hoods with «activated charcoal filters»

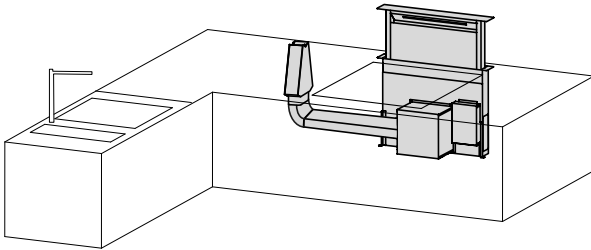
The activated charcoal filters are placed at the front, behind the grease filter, for this installation variant. For example, the exhaust air can be fed back into the room through a shadow gap.



Exhaust air outlet cross section: plan min. 500 cm² for exhaust air in base area.

Downdraft recirculation hoods with «recirculation box»

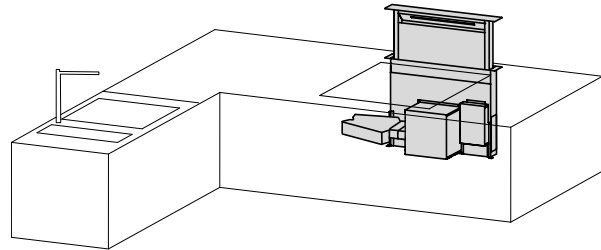
The recirculation box is connected to the flat channel in an upright position for this installation variant. For example, the exhaust air can be fed back into the room through a shadow gap. Plans must include an inspection opening for replacing the filter in the recirculation box for this construction variant.



Exhaust air outlet cross section: plan min. 500 cm² for exhaust air in base area.

Downdraft recirculation hoods with «recirculation box»

The recirculation box is connected to the base fan for this installation variant. For example, the exhaust air can be fed back into the room through a shadow gap. Plans must include an inspection opening for replacing the filter in the recirculation box for this construction variant.



Exhaust air outlet cross section: plan min. 500 cm² for exhaust air in base area.

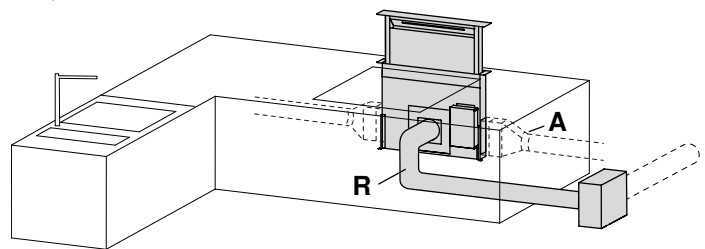
Downdraft hood with external motor

The motor can be placed externally for this installation variant, e.g. in an adjacent cabinet. A maximum distance of 4 m is recommended. The external motor must be installed on the inside.

External conversion kit, fan 1012164

R Piping is available for order as an accessory

A The conversion kit contains a three-part rectangular to round adapter, ø150.





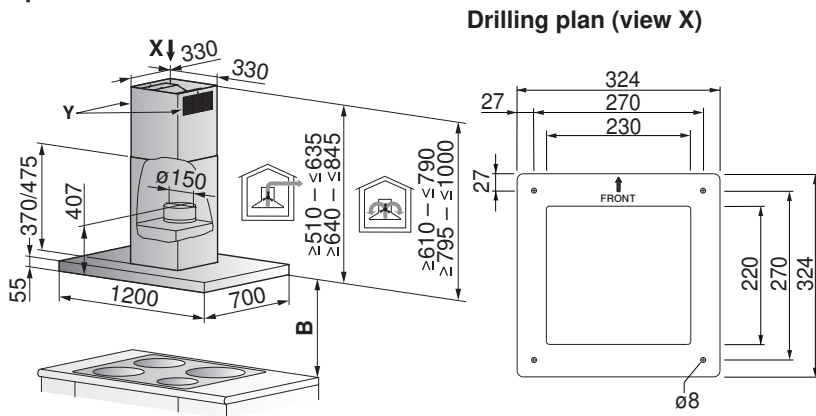
12.4 Island hoods

Applicable to the following hoods:

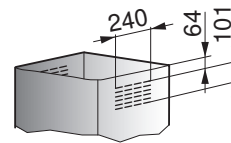
- Telescopic casing (adjustable) is available in various basic heights.
- Mains connection directly above range hood, connection cable 1.2 m with plug.
- For recirculation mode: Ensure that the air outlet is symmetrical and unobstructed on both sides.

AiroClearIsland V6000 (63020), [DIPQ12 (63016)]

Operating mode	Extraction/Recirculation	Mains connection	220–240 V~ 50–60 Hz, 138 W, [238 W]
Noise level	38–63 dB(A) / 41–68 dB(A); [49–70 dB(A)]	Fuse	10 A
Illumination	4 × 2 W	Fan speeds	4
Motor	1 × 130 W, [1 × 230 W]	Weight	~32 kg, [~35 kg]
Options connection	Max. 180 W		



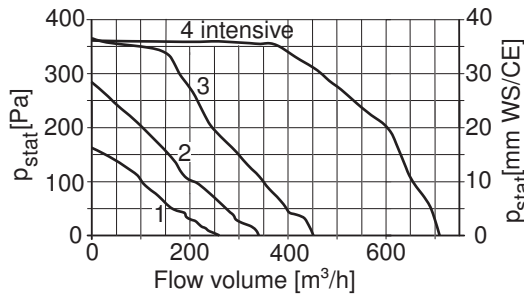
Air outlet for recirculation air (detail Y)



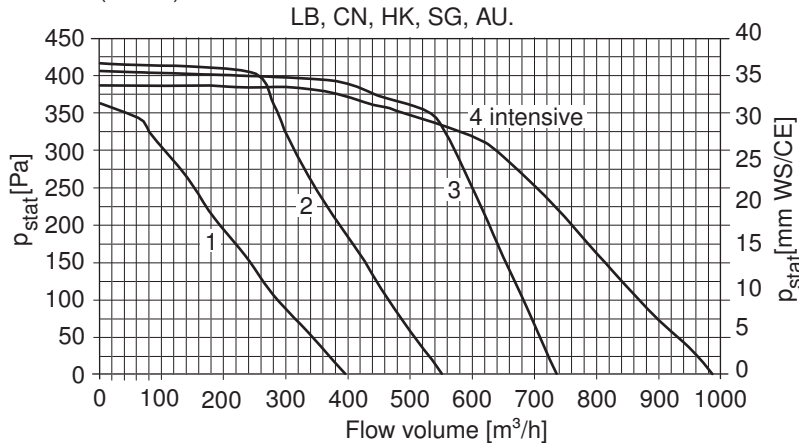
Telescopic casing for extraction/recirculation:
 Height is adjustable.
 Available in 2 basic heights.

For recirculation air (see detail Y):
 Air outlet left/right and front/back possible.

Minimum distance B above hob:
 For electric hob: 500 mm
 For gas hob: ≥650 mm
 Details: Gas hobs (see page 57)
 General notes (see page 85)

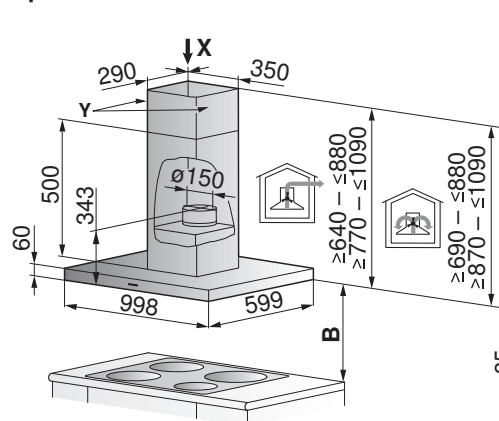


DIPQ12 (63016)

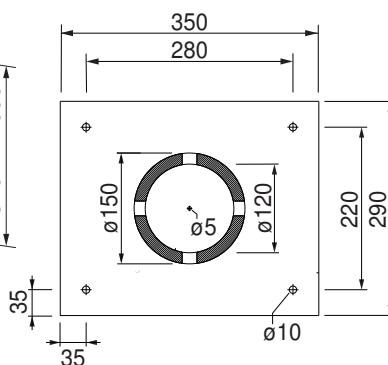


DIQS10 (63014)

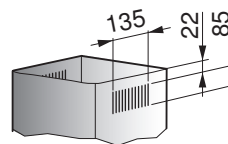
Operating mode	Extraction/Recirculation	Mains connection	220–240 V~ 50/60 Hz, 274 W
Noise level	52–69 dB (A) / 69–76 dB (A)	Fuse	10 A
Illumination	4 × 1 W	Fan speeds	4
Motor	1 × 270 W	Weight	~32.7 kg
Options connection	Max. 200 W		



Drilling plan (view X)



Air outlet for recirculation air (detail Y)



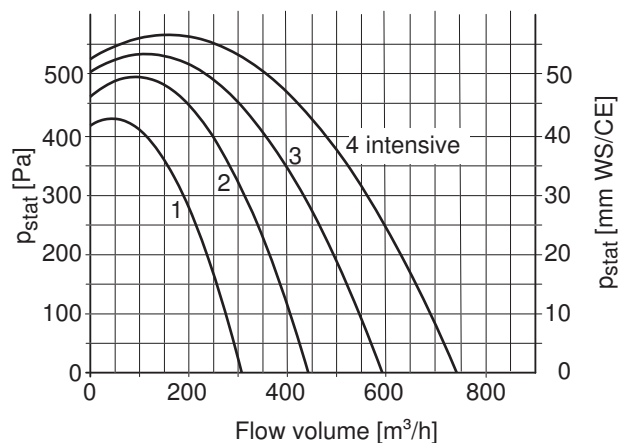
Telescopic casing for extraction/recirculation:

Height is adjustable.
 Available in 2 basic heights.

For recirculation air (see detail Y):
 - Air outlet left/right and front/back possible.

Minimum distance B above hob:

For electric hob: 650 mm
 For gas hob: ≥650 mm
 Details: Gas hobs (see page 57)
 General notes (see page 85)



12.5 Wall hoods

Applicable to the following hoods:

- Consider type of piping (straight or elbow).
- Telescopic casing (adjustable) is available in various basic heights.
- Mains connection above wall hood behind the chimney cover / telescopic casing.
- Connection cable 1.5 m, with plug (except for model 62019/62021 = 1.2 m, with plug).
- For recirculation mode: Ensure that the air outlet is symmetrical and unobstructed on both sides.

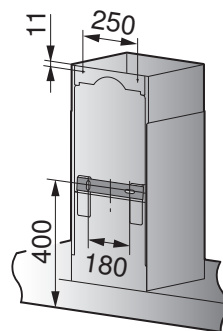
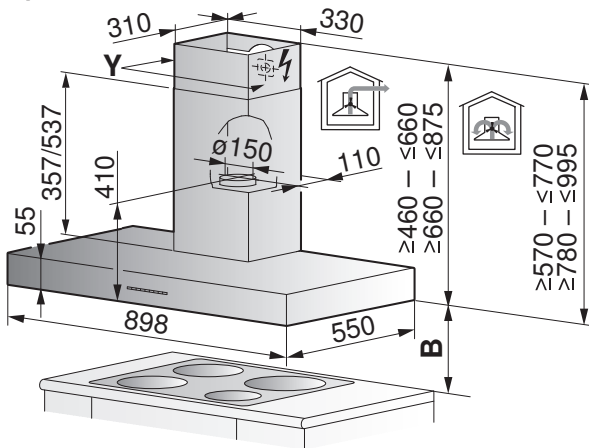
Positions of electrical connections

The specified dimensions are valid for straight exhaust air piping. If exhaust air piping with an elbow are used, the dimensions must be adapted accordingly.

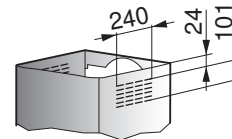
Appliance	Connection from lower part of appliance	Connection from centre	Type of connection
AiroClearWall V6000	495 mm	80 mm	Flush power socket 230 V
DWPQ	495 mm	80 mm	

AiroClearWall V6000 (62028)

Operating mode	Extraction/Recirculation	Mains connection	220–240 V ~ 50–60 Hz, 134 W
Noise level	38–63 dB (A) / 41–68 dB (A)	Fuse	10 A
Illumination	2 × 2 W	Fan speeds	4
Motor	1 × 130 W	Weight	~25.5 kg
Options connection	Max. 180 W		

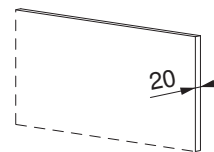


Air outlet for recirculation air (detail Y)



Use of stone cladding

20 mm thick wall panels (granite, marble) are possible.

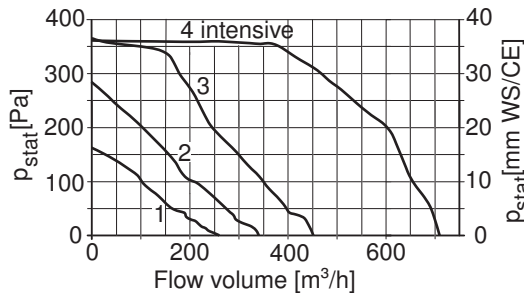


Telescopic casing for extraction/recirculation:

Height is adjustable.
 Available in 2 basic heights.

Minimum distance B above hob:

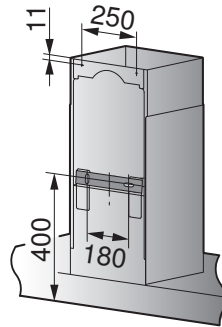
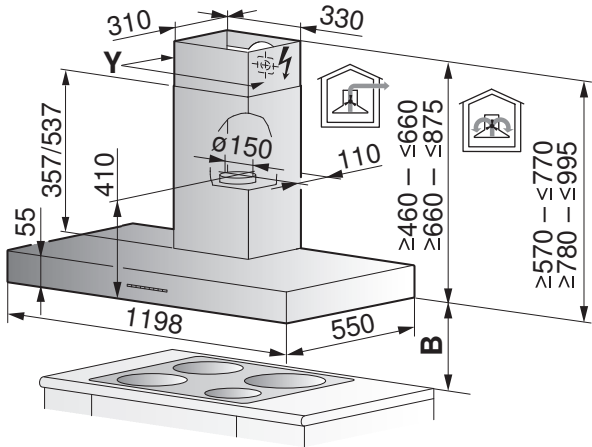
For electric hob: 500 mm
 For gas hob: ≥650 mm
 Details: Gas hobs (see page 57)
 General notes (see page 85)



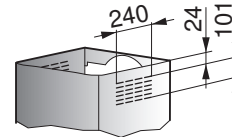


AiroClearWall V6000 (62029), [DWPQ12 (62023)]

Operating mode	Extraction/Recirculation	Mains connection	220–240 V~ 50–60 Hz, 136 W, [236 W]
Noise level	38–63 dB(A) / 41–68 dB(A) [50–70 dB(A)]	Fuse	10 A
Illumination	3 × 2 W	Fan speeds	4
Motor	1 × 130 W, [1 × 230 W]	Weight	~29 kg
Options connection	Max. 180 W		

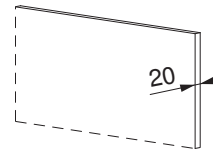


Air outlet for recirculation air (detail Y)



Use of stone cladding

20 mm thick wall panels (granite, marble) possible.

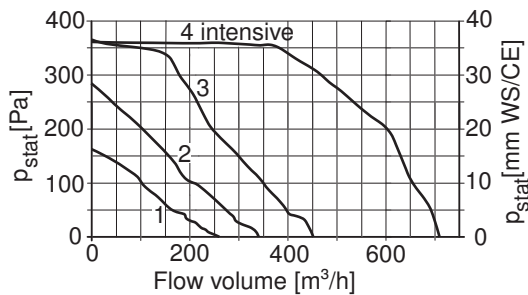


Telescopic casing for extraction/recirculation:

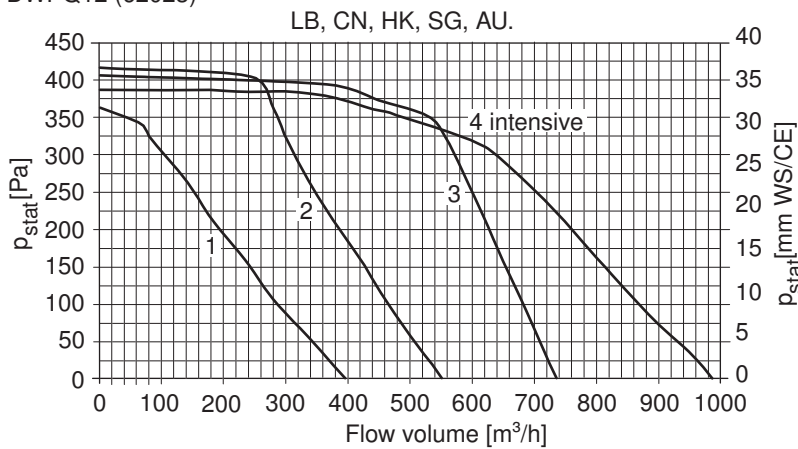
Height is adjustable.
 Available in 2 basic heights.

Minimum distance B above hob:

For electric hob: 500 mm
 For gas hob: ≥650 mm
 Details: Gas hobs (see page 57)
 General notes (see page 85)



DWPQ12 (62023)

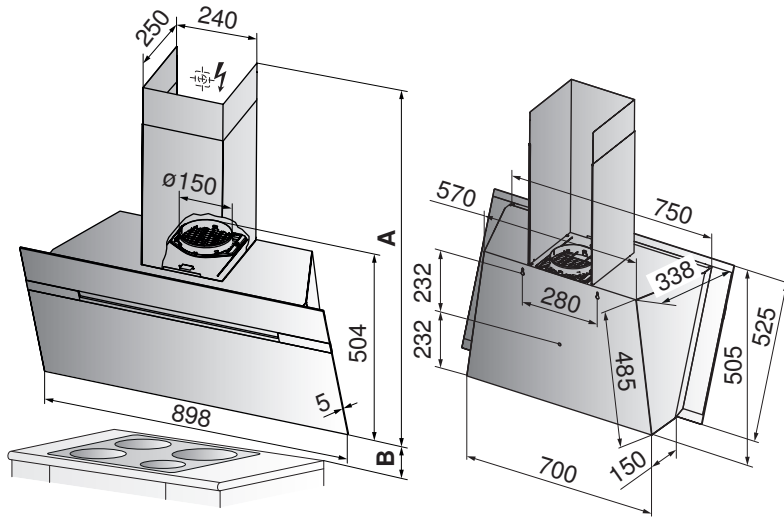
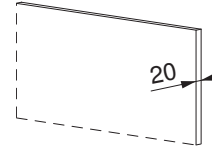


AiroClearWall V2000 V90 (62032)

Operating mode	Extraction/Recirculation	Mains connection	220–240 V~ 50/60 Hz, 255 W
Noise level	53–72 dB (A) / 70–75 dB (A)	Fuse	10 A
Illumination	2 × 2.5 W, 12 V~	Fan speeds	4
Motor	1 × 250 W	Weight	19 kg

Use of stone cladding

20 mm thick wall panels (granite, marble) are possible.



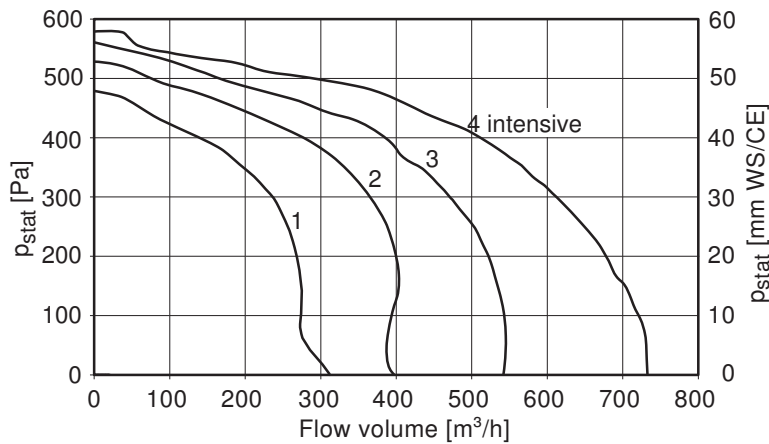
Telescopic casing for extraction

Available in basic height **A**:
 1045–1465 mm (standard)

Minimum distance B above hob:

For electric hob: 400 mm
 For gas hob: 500 mm
 Note on minimum distance (see page 85)

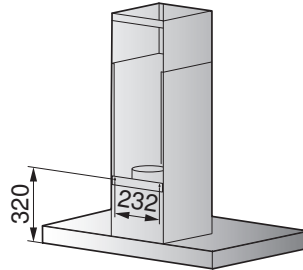
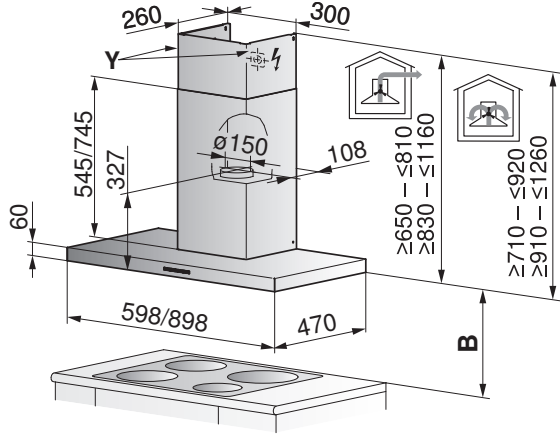
Standard version recirculation air:
 without telescopic casing, with protective guard for fan opening



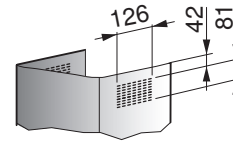


DWQS6 (62019), DWQS9 (62021)

Operating mode	Extraction/Recirculation	Mains connection	220–240 V~ 50/60 Hz, 272 W
Noise level	52–69 dB (A) / 69–76 dB (A)	Fuse	10 A
Illumination	2 × 1 W	Fan speeds	4
Motor	1 × 270 W	Weight	~15.6/22 kg
Options connection	Max. 200 W		

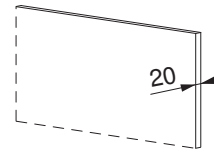


Air outlet for recirculation air (detail Y)



Use of stone cladding

20 mm thick wall panels (granite, marble) are possible.

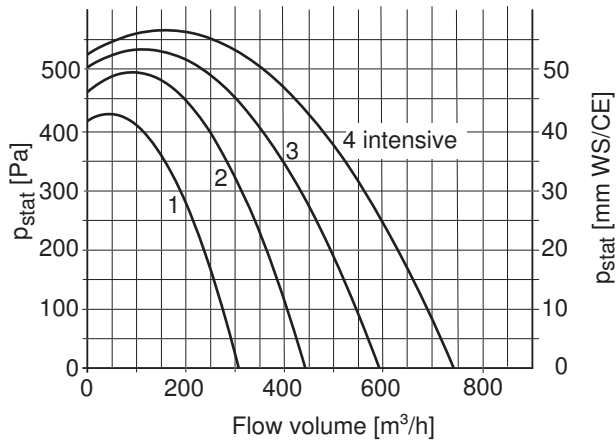


Telescopic casing for extraction/recirculation:

Height is adjustable.
 Available in 2 basic heights.

Minimum distance B above hob:

For electric hob: 650 mm
 For gas hob: ≥650 mm
 Details: Gas hobs (see page 57)
 General notes (see page 85)

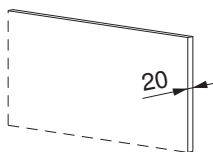
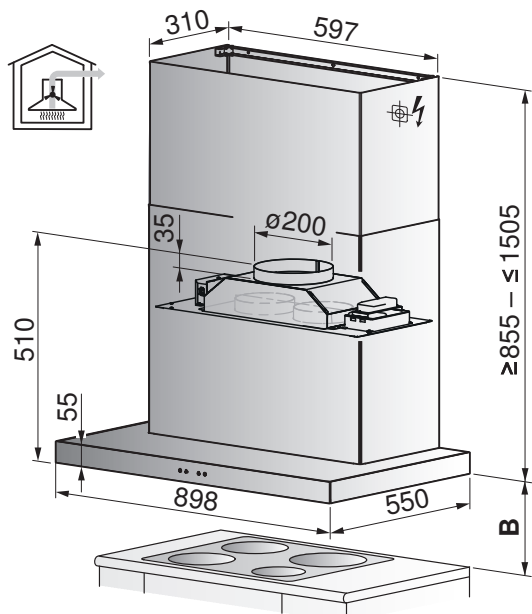


AiroClearWall V4000 Twin Blower (62026)

Operating mode	Extraction	Mains connection	220–240 V~ 50 Hz, 534 W
Noise level	57–71 dB (A)	Fuse	10 A
Illumination	2 × 2 W	Fan speeds	4
Motor	2 × 265 W	Weight	46 kg

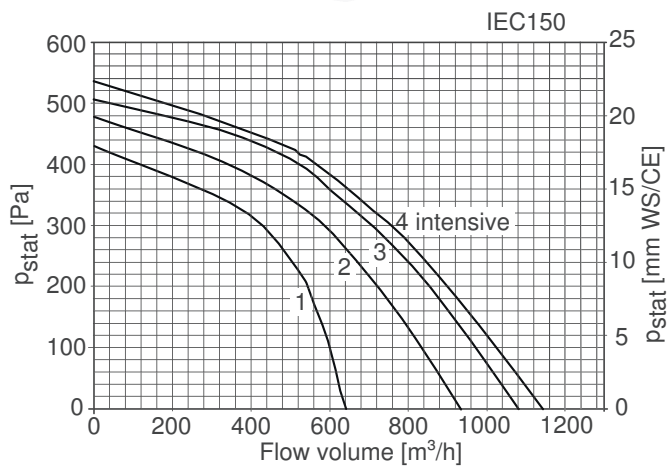
Use of stone cladding

20 mm thick wall panels (granite, marble) are possible.



Minimum distance B above hob:

For electric hob: 500 mm
 For gas hob: ≥650 mm
 Details: Gas hobs (see page 57)
 General notes (see page 85)

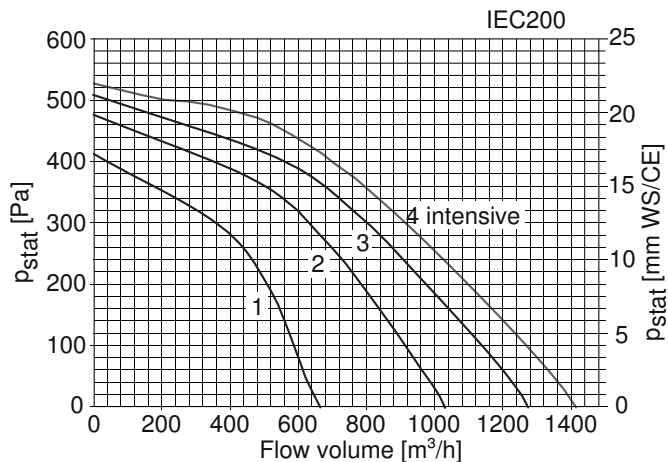


Telescopic casing for extraction:

Height is adjustable.
 Available in 1 basic height.

Best possible extraction performance

To ensure the best possible performance, piping of ø200 mm (IEC200) is recommended.



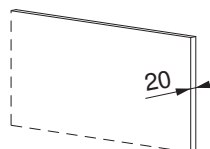
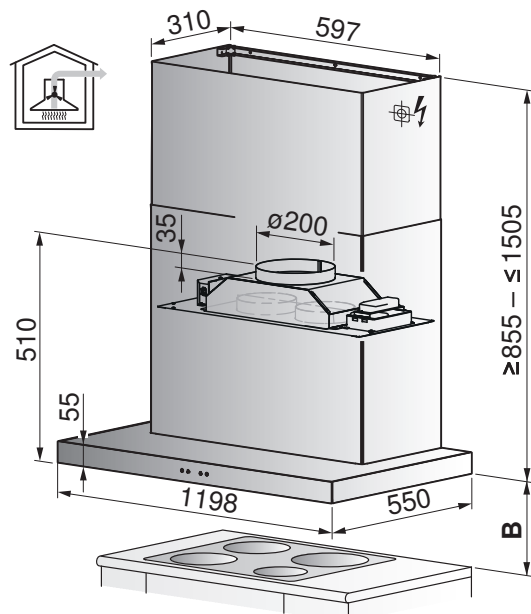
AiroClearWall V4000 Twin Blower Q120 (62031)

Operating mode	Extraction
Noise level	57–71 dB (A)
Illumination	3 × 2 W
Motor	2 × 265 W

Mains connection	220–240 V~ 50 Hz, 534 W
Fuse	10 A
Fan speeds	4
Weight	52 kg

Use of stone cladding

20 mm thick wall panels (granite, marble) are possible.



Minimum distance B above hob:

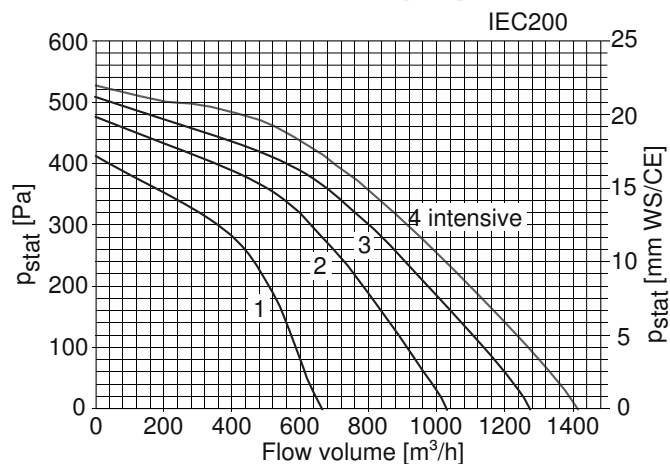
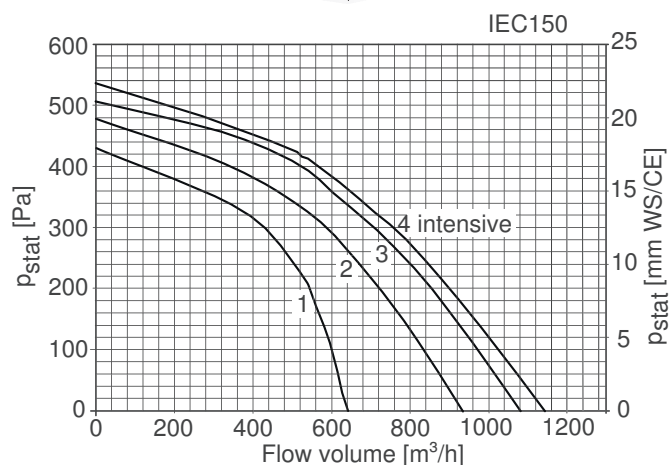
For electric hob: 500 mm
 For gas hob: ≥650 mm
 Details: Gas hobs (see page 57)
 General notes (see page 85)

Telescopic casing for extraction:

Height is adjustable.
 Available in 1 basic height.

Best possible extraction performance

To ensure the best possible performance, piping of $\varnothing 200$ mm (IEC200) is recommended.





12.6 Built-in range hoods

Applicable to the following hoods:

- Connection cable min. 1.2 m, with plug.

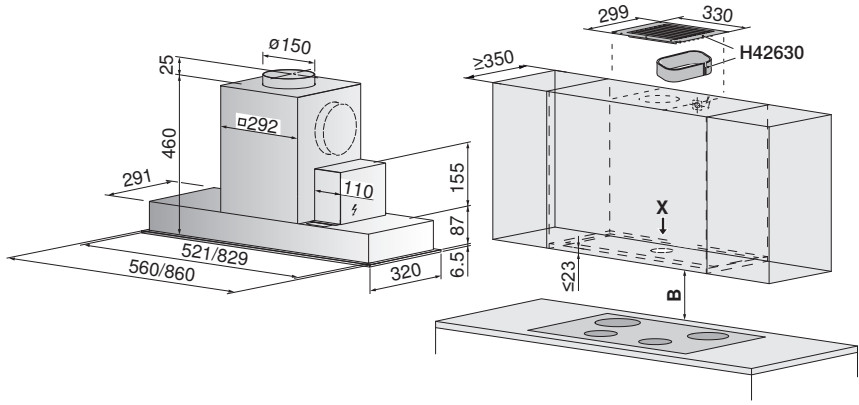
Positions of electrical connections

The specified dimensions are valid for straight exhaust air piping. If exhaust air piping with an elbow are used, the dimensions must be adapted accordingly.

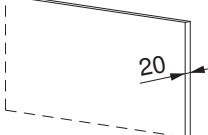
Appliance	Connection from floor (plinth height 100 mm)	Connection in niche (from centre to connection)	Type of connection
All models	2050 mm	180 mm	Flush power socket 230 V

AiroClearCabinet V4000 (64009/64010)

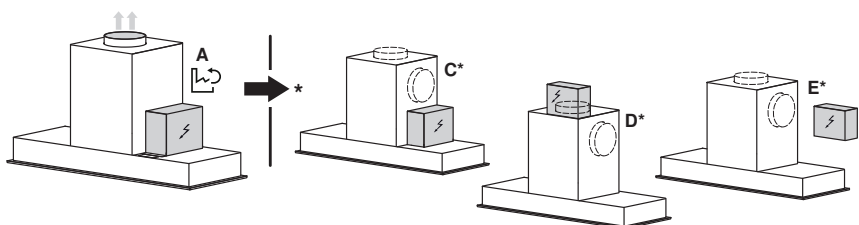
Operating mode	Extraction/Recirculation	Mains connection	220–240 V~ 50 Hz, 269 W
Noise level	49–67 dB (A)	Fuse	10 A
Illumination	2 × 2 W	Fan speeds	4
Motor	265 W	Weight	19.6 kg / 22.9 kg



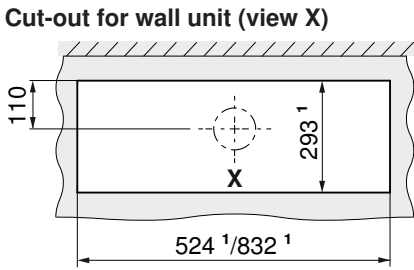
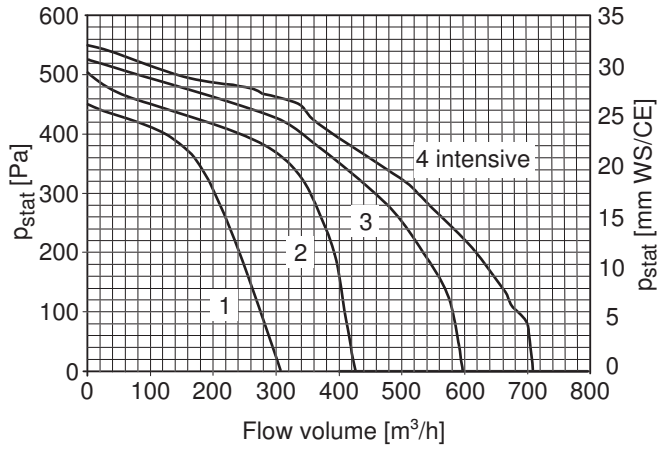
Use of stone cladding
20 mm thick wall panels (granite, marble) are possible.



Minimum distance B above hob:
For electric hob: 500 mm,
600 mm (AU/NZ)
For gas hob: ≥650 mm
Details: Gas hobs (see page 57)
General notes (see page 85)



Ex works A
(*) Options C/D/E: Not available for future planning. Options for positioning elec. box and air outlet.



¹ Cut-out measurements



AiroClearCabinet V4000 Twin Blower (64011)

Operating mode
Noise level
Illumination
Motor

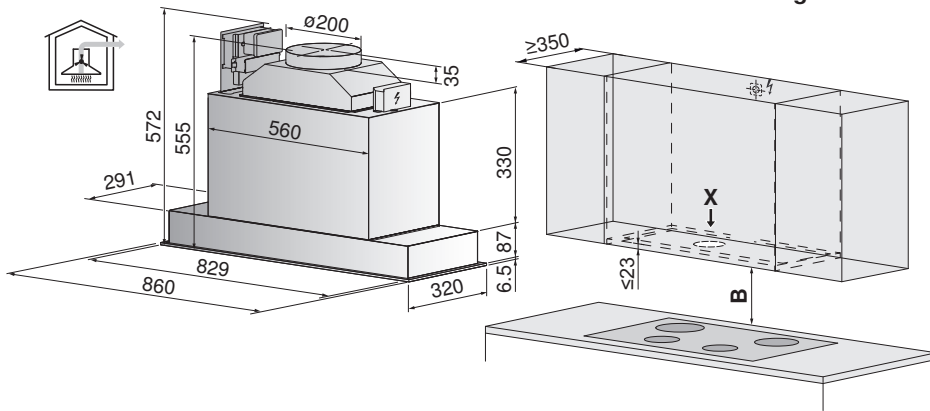
Extraction
 56–71 dB (A)
 2 × 2 W
 2 × 265 W

Mains connection
Fuse
Fan speeds
Weight

220–240 V~ 50 Hz, 534 W
 10 A
 4
 27 kg

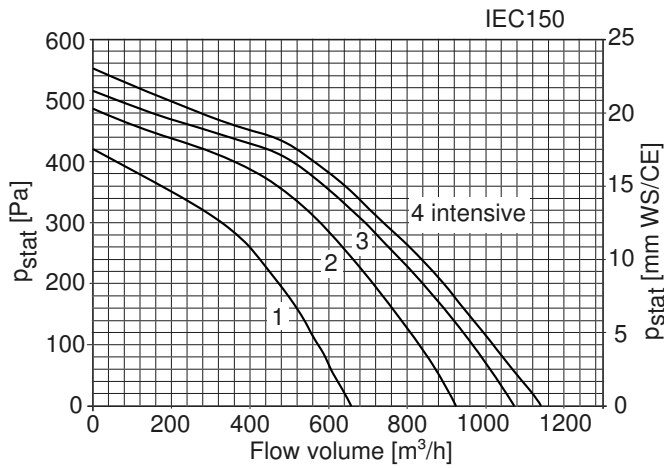
Use of stone cladding

20 mm thick wall panels (granite, marble) are possible.

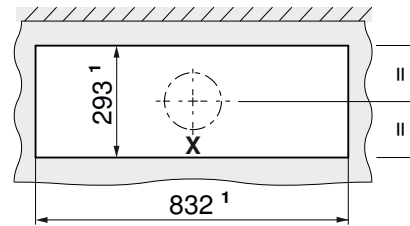


Minimum distance B above hob:

For electric hob: 500 mm,
 600 mm (AU/NZ)
 For gas hob: ≥650 mm
 Details: Gas hobs (see page 57)
 General notes (see page 85)



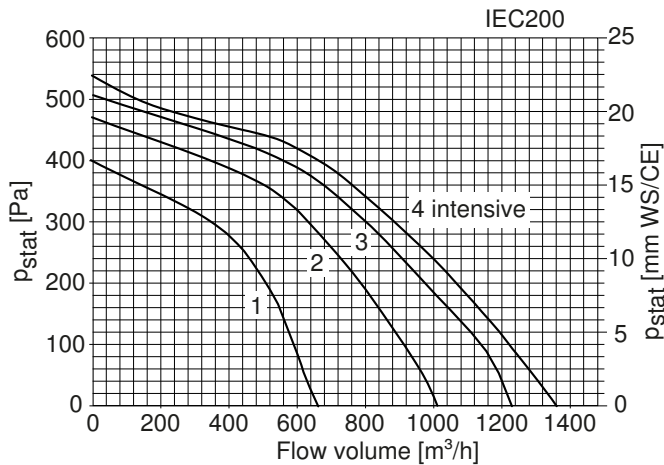
Cut-out for wall unit (view X)



¹ Cut-out measurements

Best possible extraction performance

To ensure the best possible performance, piping of ø200 mm (IEC200) is recommended.

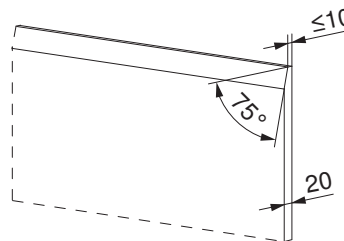
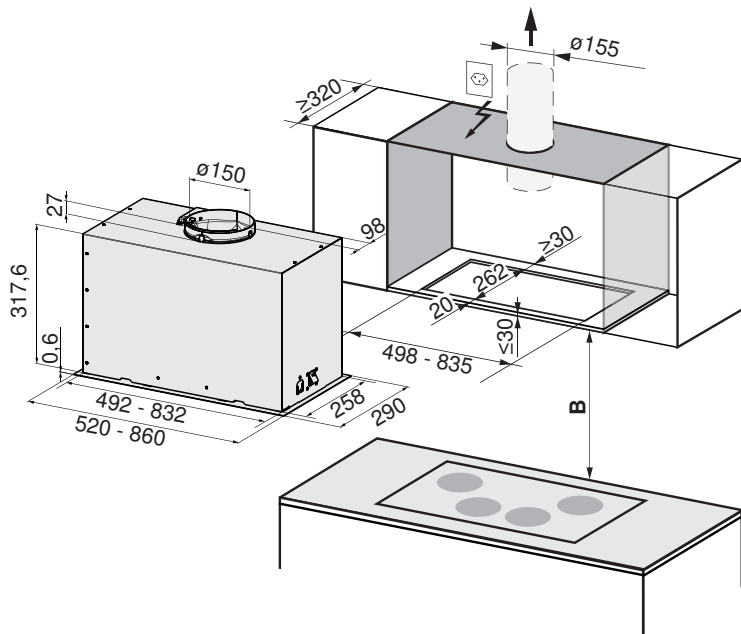


AiroClearCabinet V600 H60/ H90 (61083/61084) – integrated range hood

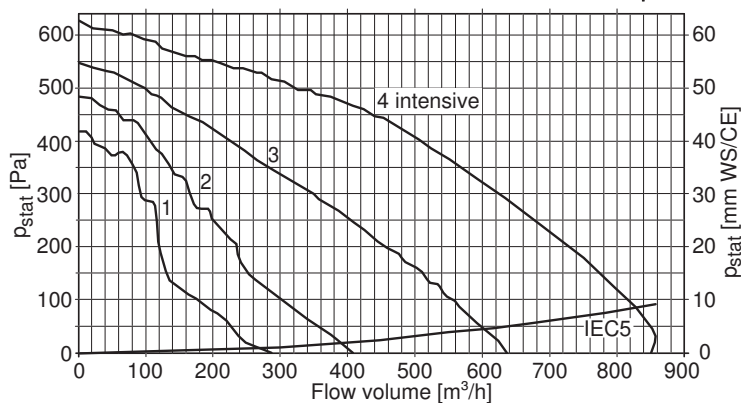
Operating mode	Extraction/Recirculation
Noise level	41–68 dB / 44–69 dB (A)
Illumination	2 x 1 W
Motor	170 W

Mains connection	220–240 V~ 50/60 Hz, 172 W
Fuse	10 A
Fan speeds	4
Weight	7.5/9.5 kg

Use of stone cladding 20 mm thick wall panels (granite, marble) possible.



Minimum distance B above hob:
 For electric hob: ≥ 430 mm,
 for gas hob: ≥ 650 mm,
 For electric hob, recommended distance: ≥ 600 .
 Note on minimum distance (see page 85)



Note: The appliance can be used for different cabinet widths. Requires a correctly sized cut-out in a stable base plate (up to 30 mm). Very simple to install. Model H90 (61084) is recommended in combination with hobs with a width of 70 cm or more.

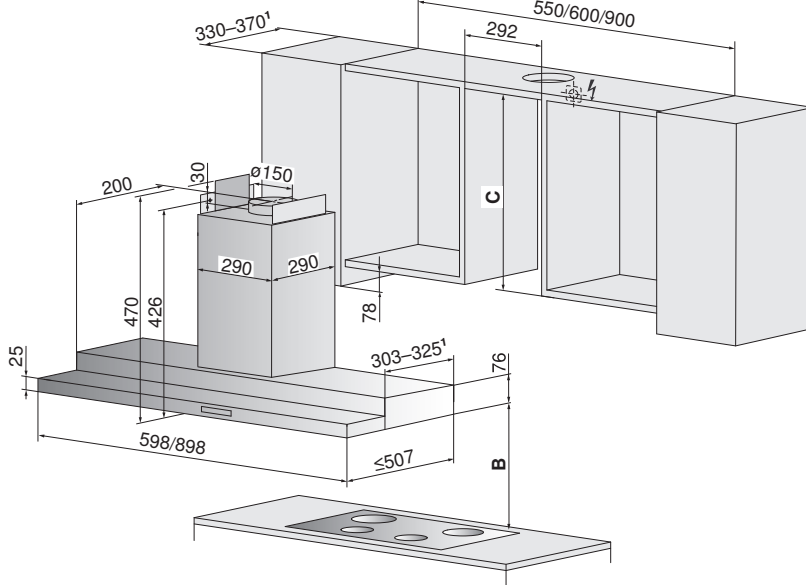
Accessories: Recirculation air		
Model	Article no.	Designation
61083/61084	1315647	Support frame V600H
61083/61084	1315230	Long-life-Plus activated charcoal filter unit
61083/61084	1315229	Standard activated charcoal filter unit (pleated filter insert incl. housing)
61083/61084	-	Pipe section $\varnothing 150$ mm

For recirculation mode: Maintain a distance of ≥ 200 mm to the ceiling.

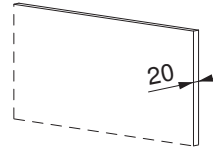


AiroClearCabinet V6000 (61058/61060), [DFQSL6/9 (61037/61038)] Drawer

Operating mode	Extraction/Recirculation	Mains connection	220–240 V~ 50–60 Hz, 134 W, [234 W]
Noise level	38–64 dB(A) / 42–69 dB(A) [49–66 dB(A)/-]	Fuse	10 A
Illumination	2 × 2 W	Fan speeds	4
Motor	1 × 130 W, [1 × 230 W]	Weight	21.8/27.1 kg
Options connection (optional)	Max. 180 W		



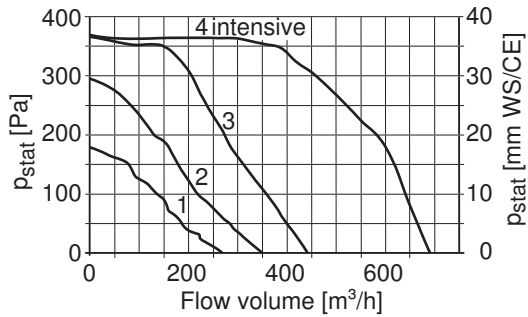
Use of stone cladding
 20 mm thick wall panels (granite, marble) possible.



Minimum distance B above hob:
 For electric hob: 500 mm
 For gas hob: ≥ 650 mm
 Details: Gas hobs (see page 57)
 General notes (see page 85)

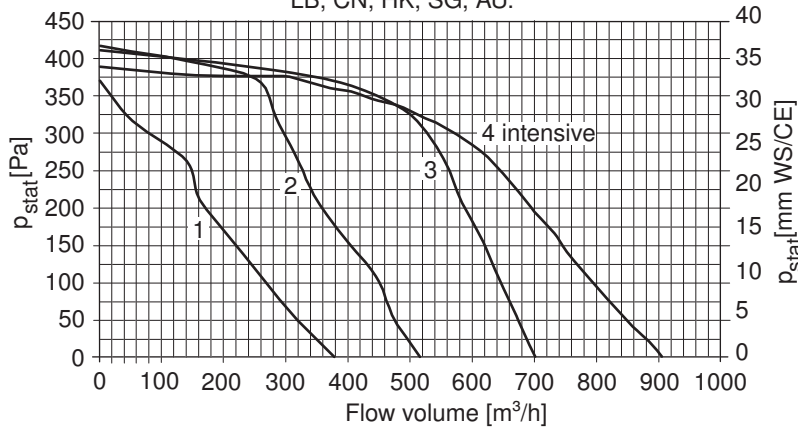
¹ For wall unit depth of 351–370 mm: Additional finished profile required.

Note: A minimum distance of 50 mm between the air outlet and ceiling must be observed.

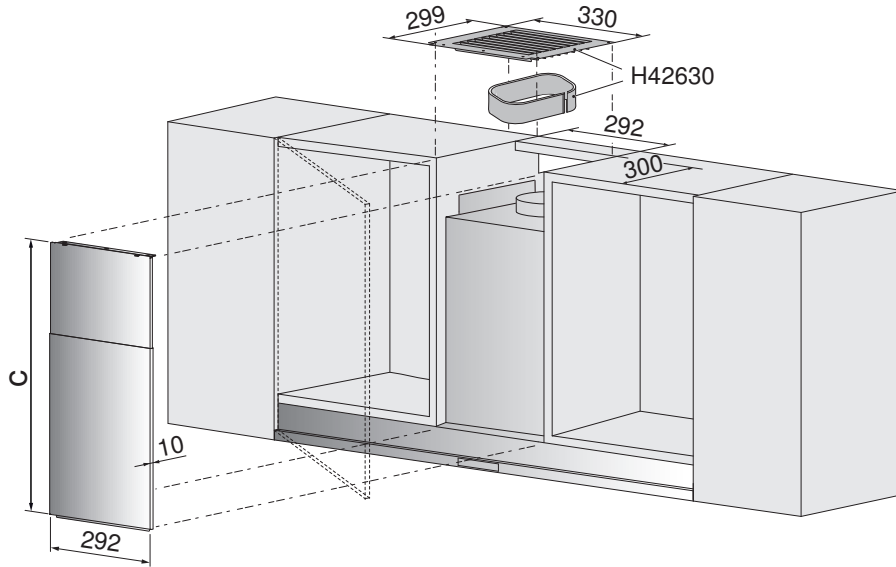


DFQSL6/9 (61037/61038)

LB, CN, HK, SG, AU.



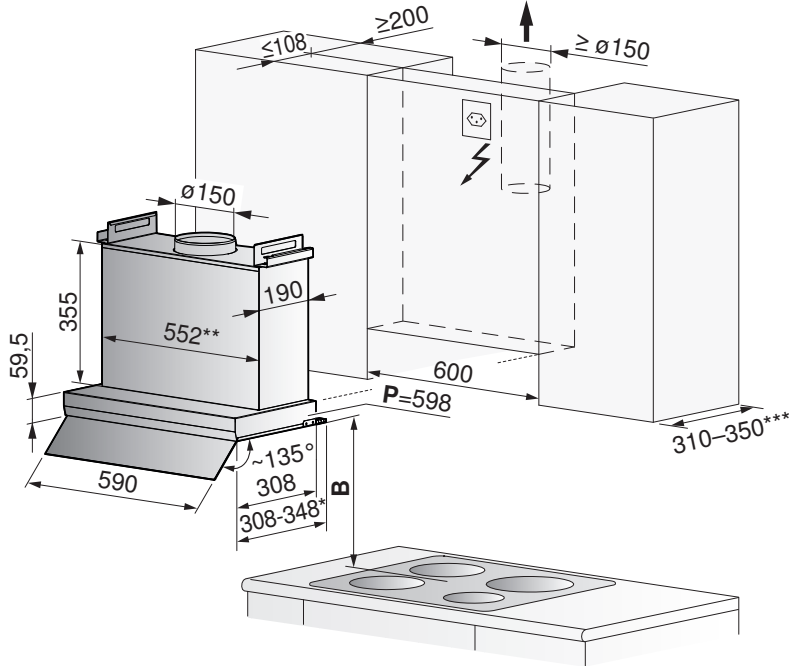
Finished profile included in scope of delivery:			Available as option:			
Model	Width	Wall unit depth	Model	Width	Wall unit depth	Article no.
61058, 61037	598 mm	330–350 mm	61058, 61037	598 mm	351–370 mm	1046979
61060, 61038	898 mm	330–350 mm	61060, 61038	898 mm	351–370 mm	1046980
Front cover available as option			Recirculation air set for wall unit without panel, available as option, can be combined with 1046971 and 1046972			
Type	Material	Height C	Article no.	Type	Material	Article no.
All	ChromeClass	410–790 mm	1046971	All	ChromeClass	H42630
All	ChromeClass	791–1150 mm	1046972			





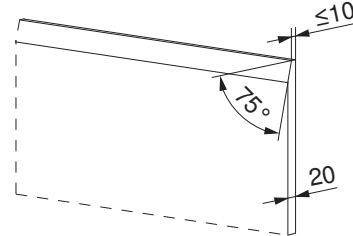
AiroClearCabinet V600 S60 (61077) Swivel panel

Operating mode	Extraction/Recirculation	Mains connection	220–240 V~ 50/60 Hz, 167 W
Noise level	43–68 dB (A)	Fuse	10 A
Illumination	1 × 7 W	Fan speeds	4
Motor	1 × 160 W	Weight	~13.5 kg



Use of stone cladding

20 mm thick wall panels (granite, marble) with a chamfer are possible.



Minimum distance B above hob:

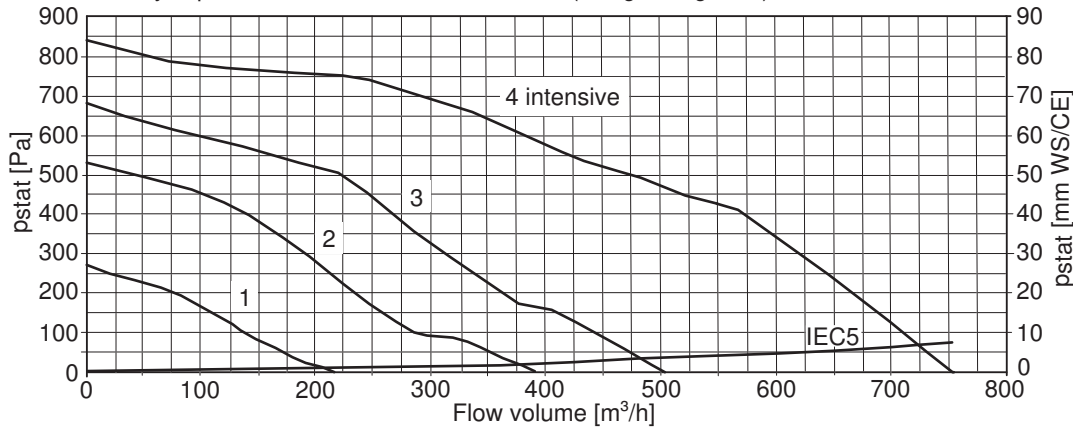
For electric hob: ≥ 430 mm
 For gas hob: ≥ 650 mm,
 For electric hob, recommended distance: 650 mm.
 Note on minimum distance (see page 85)

P = width of hood body, * = with adapter profile **A**.

** = net dimension. Gross dimension 559 (incl. 3.5 mm outward-facing embossing on both sides).

*** = Cabinet depth (dimension without cabinet door).

The hood body is positioned behind the cabinet door (design integrated).



Accessories: Recirculation air		
Model	Article no.	Designation
61077	1300903	Installation plate for recirculation air 60/90
61077	1300905	Long-life-Plus activated charcoal filter unit (incl. filter housing)
61077	1300904	Standard activated charcoal filter unit (pleated filter insert incl. housing)
61077	-	Pipe section $\varnothing 150$ mm

Further accessories:		
Model	Article no.	Designation
61077	Scope of delivery	Adapter profile 10–40 mm

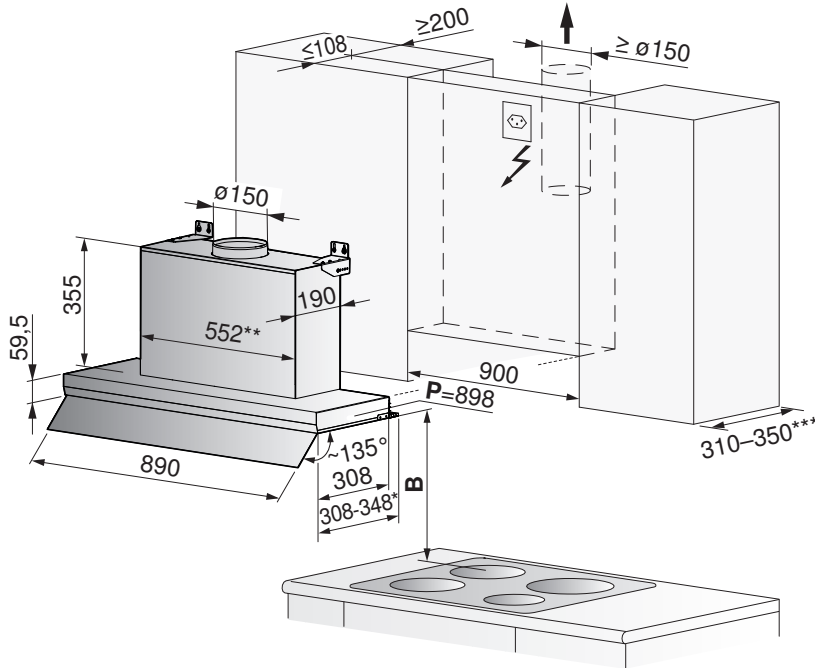
AiroClearCabinet V600 S90 (61078) Swivel panel

Operating mode
Noise level
Illumination
Motor

Extraction/Recirculation
 43–68 dB (A)
 1 × 7 W
 1 × 160 W

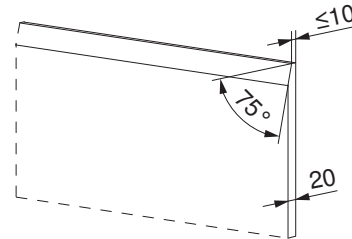
Mains connection
Fuse
Fan speeds
Weight

220–240 V~ 50/60 Hz, 167 W
 10 A
 4
 ~15.5 kg



Use of stone cladding

20 mm thick wall panels (granite, marble) with a chamfer are possible.



Minimum distance B above hob:

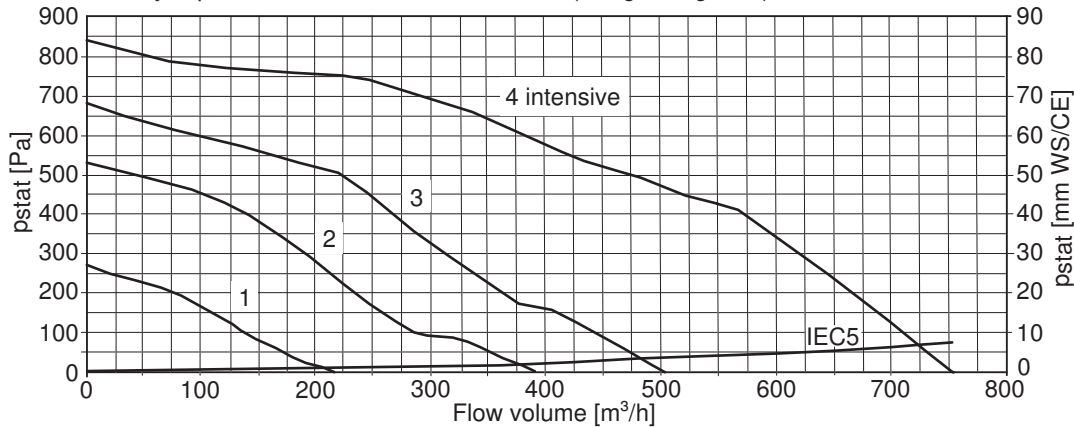
For electric hob: ≥ 430 mm
 For gas hob: ≥ 650 mm,
 For electric hob, recommended distance:
 650 mm. Note on minimum distance (see
 page 85)

P = width of hood body, * = with adapter profile **A**.

** = net dimension. Gross dimension 509/559 (incl. 3.5 mm outward-facing embossing on both sides).

*** = Cabinet depth (dimension without cabinet door).

The hood body is positioned behind the cabinet door (design integrated).



Accessories: Recirculation air		
Model	Article no.	Designation
61078	1300903	Installation plate for recirculation air 60/90
61078	1300905	Long-life-Plus activated charcoal filter unit (incl. filter housing)
61078	1300904	Standard activated charcoal filter unit (pleated filter insert incl. housing)
61078	-	Pipe section $\varnothing 150$ mm

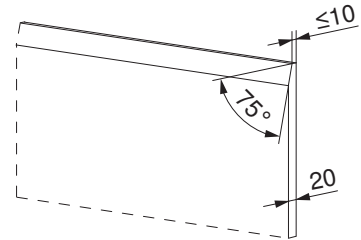
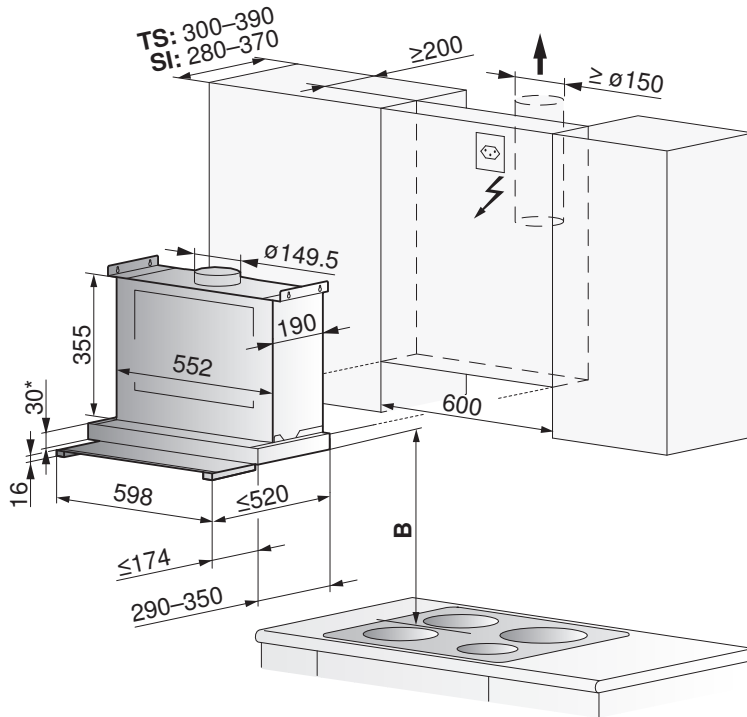
Further accessories:		
Model	Article no.	Designation
61078	Scope of delivery	Adapter profile 10–40 mm



DFSG6 (61031)

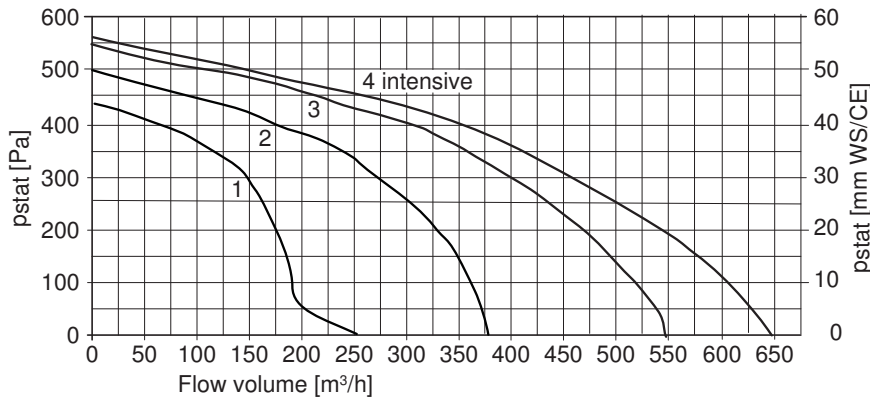
Operating mode	Extraction/Recirculation	Mains connection	220–240 V~ 50–60 Hz, 207 W
Noise level	46–66 dB (A)	Fuse	10 A
Illumination	1 × 7 W, 230 V~	Fan speeds	4
Motor	1 × 200 W	Weight	~16.5 kg

Use of stone cladding
 20 mm thick wall panels (granite, marble) with a chamfer possible.

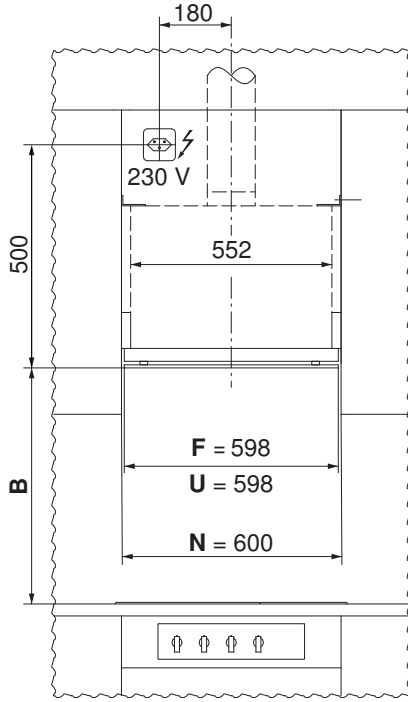


Installation variants: Partially visible (TS), visible (SI)
 * If the range hood is built in on a level with the bottom of the unit, another 2 mm must be planned in due to the upper hood cover.

Minimum distance B above hob:
 For electric hob: 430 mm
 For gas hob: ≥650 mm
 Details: Gas hobs (see page 57)
 General notes (see page 85)

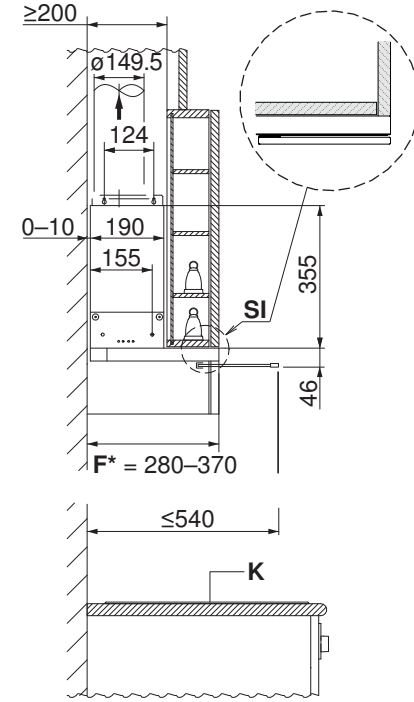


Installation variants:



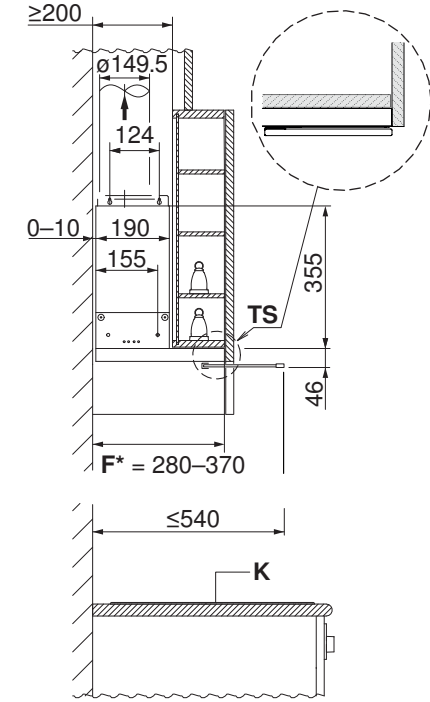
- F** Front panel
- U** Base unit
- N** Niche

Visible (SI)



- F*** Front panel adjustment range
- K** Hob

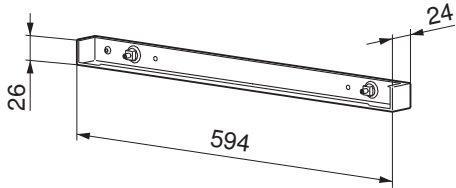
Partially visible (TS)



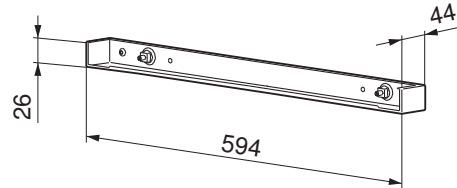
- F*** Front panel adjustment range
- K** Hob

Finished profile	Type	Width	Wall unit depth	Colour	Scope of delivery	Article no.
Narrow	DFSG6 (61031)	594 mm	280–300 mm	ChromeClass	No/Option	H42225
Medium			290–320 mm		Yes	H42226
Wide			321–350 mm		Yes	H42281
Extra wide			350–370 mm		No/Option	1077316

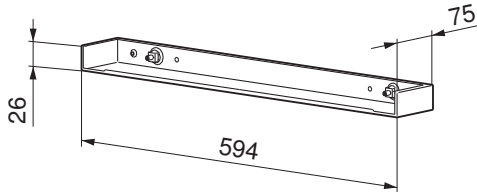
Narrow profile section 280–300 mm available as option



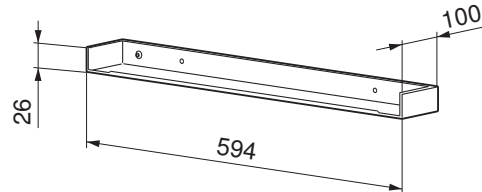
Medium profile section 290–320 mm included in scope of delivery



Wide profile section 321–350 mm included in scope of delivery



Extra wide profile section 350–370 mm available as option



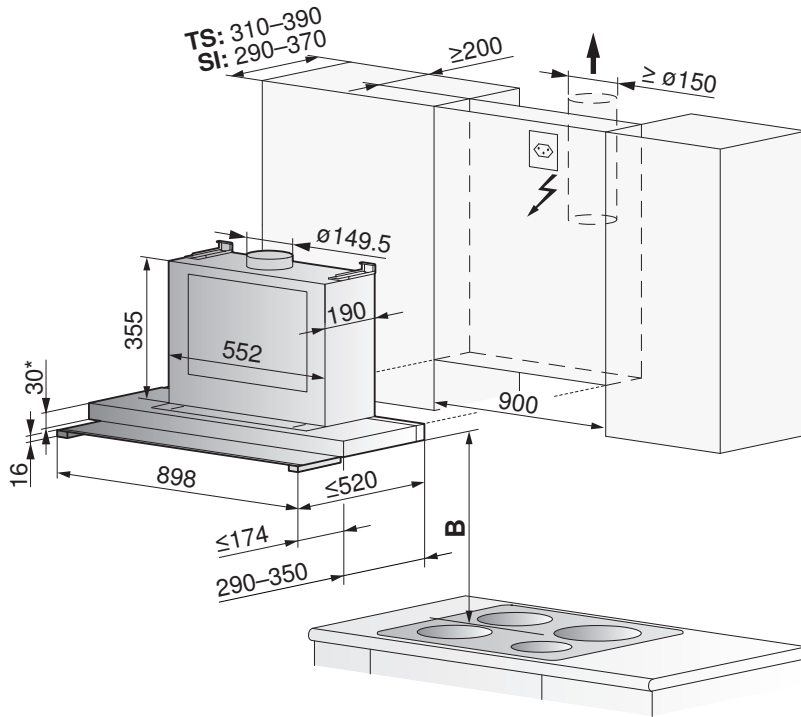
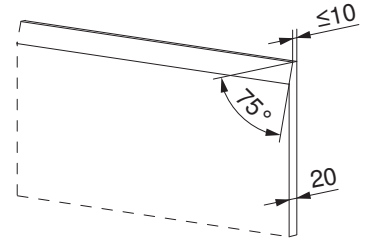


DFSG9 (61033)

Operating mode	Extraction/Recirculation	Mains connection	220–240 V~ 50–60 Hz, 207 W
Noise level	46–66 dB (A)	Fuse	10 A
Illumination	1 × 7 W, 230 V~	Fan speeds	4
Motor	1 × 200 W	Weight	~19 kg

Use of stone cladding

20 mm thick wall panels (granite, marble) with a chamfer are possible.

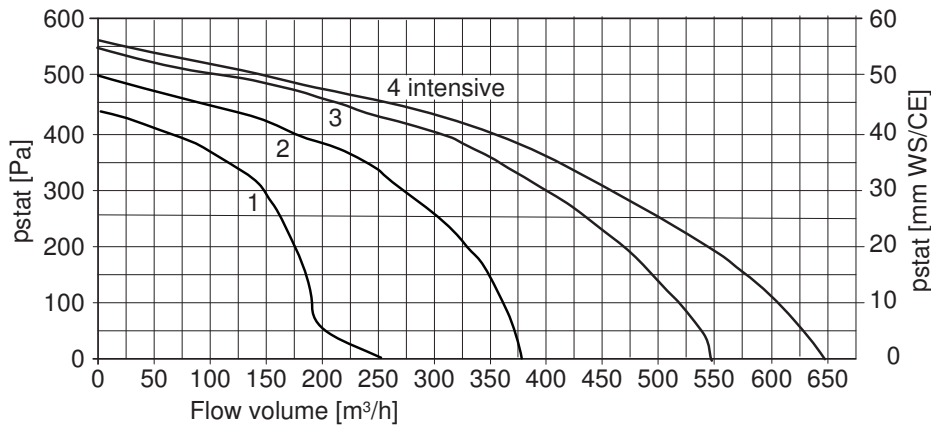


Installation variants: Partially visible (TS), visible (SI)

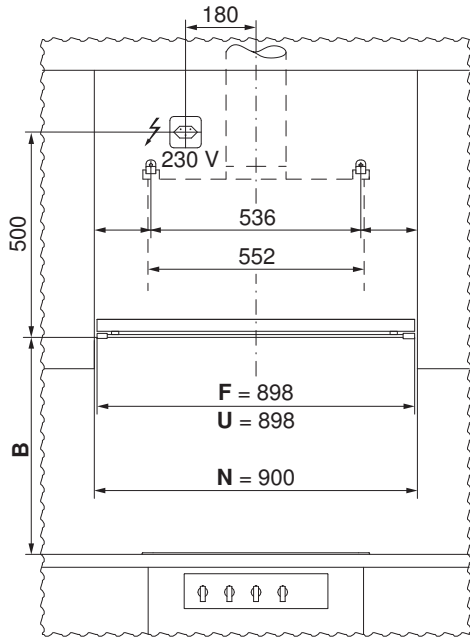
* If the range hood is built in on a level with the bottom of the unit, another 2 mm must be planned in due to the upper hood cover.

Minimum distance B above hob:

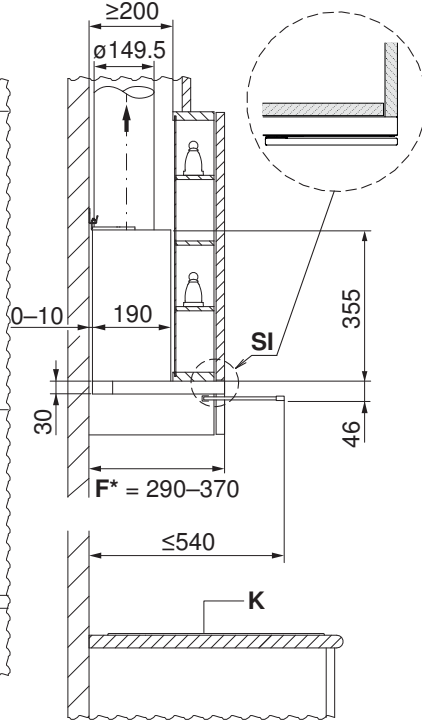
For electric hob: 430 mm
 For gas hob: ≥650 mm
 Details: Gas hobs (see page 57)
 General notes (see page 85)



Installation variants:

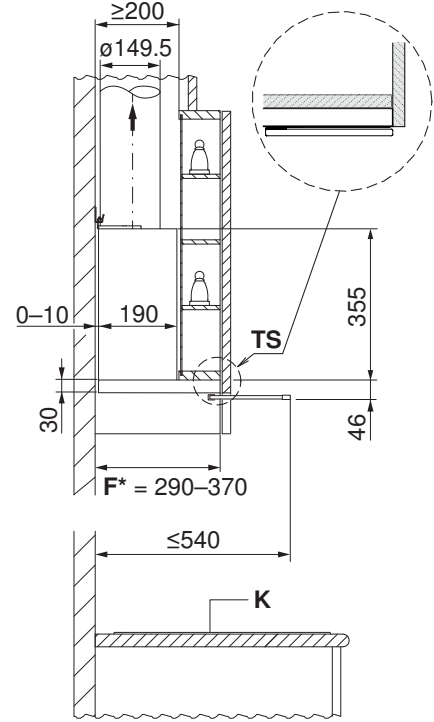


Visible (SI)



F* Front panel adjustment range
K Hob

Partially visible (TS)

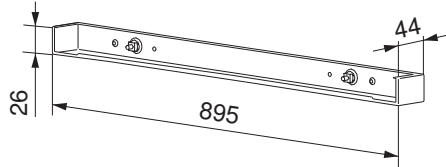


F* Front panel adjustment range
K Hob

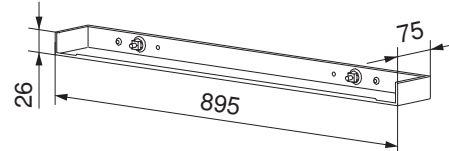
F Front panel
U Base unit
N Niche

Finished profile	Type	Width	Wall unit depth	Colour	Scope of delivery	Article no.
Medium	DFSG9 (61033)	895 mm	290–320 mm	ChromeClass	Yes	1056116
Wide			321–350 mm		Yes	H42294
Extra wide			350–370 mm		No/Option	1077318

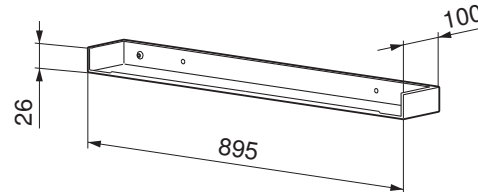
Medium profile section 290–320 mm included in scope of delivery



Wide profile section 321–350 mm included in scope of delivery



Extra wide profile section 350–370 mm available as option



13 Dishwashers

13.1 General notes



It must be possible to pull the appliance out of the niche horizontally at any time without dismantling any part of the cabinet.

- ▶ Screws and fasteners must be countersunk in the niche. There should be no protruding parts, screw heads, brackets, etc., otherwise parts of the appliance could become damaged (risk of water damage).
- ⇒ Efficient repairs can only be guaranteed if it is possible to uninstall the whole appliance at any time without causing any damage.



It must be ensured air gap remains in the shadow gap.



General operating conditions

Ambient temperature: from min. 10 °C to max. 35 °C

The appliances are designed for use up to a max. altitude of 2,000 m above sea level.

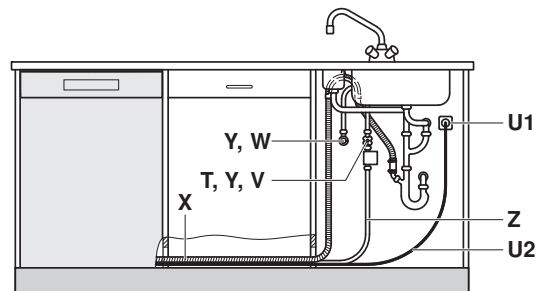
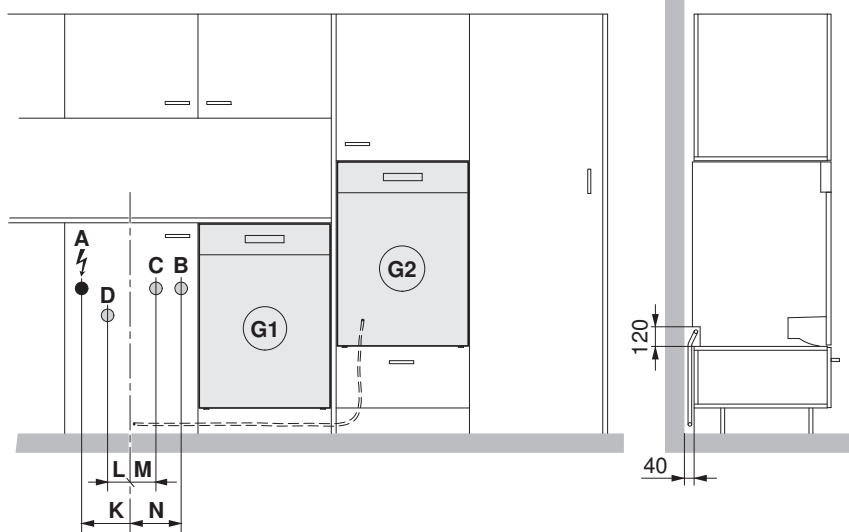
Validity

Model designation	Type	Model number
AdoraDish V2000	AS2T	41162, 41163
AdoraDish V4000	AS4T	41164, 41166, 41168
AdoraDish V6000	AS6T	41147, 41169, 41171, 41172, 41177

Dishwashers with heat pump (see page 130)

13.2 Electrical connection data / Plumbing-in data

Connection example



Designation		Connection from floor (plinth height 105 mm)	Connection in niche (from centre to connection)	Type of connection
A	Electrical connection	600 mm	K = 160 mm	Flush power socket 230 V
B	Cold water	600 mm	N = 170 mm	G ³ / ₄ "
C	Hot water *	600 mm	M = 70 mm	G ³ / ₄ "
D	Drain	400 mm	L = 110 mm	ø56 mm
G1	Dishwasher in base unit	Connection in adjacent compartment left or right		
G2	Dishwasher in tall unit	Connection in max. 2 compartments left or right		
T	Backflow preventer	Yes, ³ / ₄ "		
U1	Power socket	Yes		
U2	Connection cable	Length 1.50 m **		
V	Cold water connection	Yes		
W	Hot water connection *	Yes		
X	Drain hose	Length 1.55 m ** / internal diameter = 22 mm		
Y	Shut-off devices	Yes, ³ / ₄ "		
Z	Aquastop / water inlet with filter, G ³ / ₄ "	Length 1.55 m **		

* The hot water connection can be activated for a water flow temperature of at least 45 °C to maximum 60 °C. For the "No heating" function, a water flow temperature of 60 °C is recommended.

** If the standard connection length is not long enough, order the CS set with a longer connection length (AdoraDish (see page 170)).

**Special lengths must be connected directly to the appliance.
Conversion (AdoraDish (see page 170)) at a later point in time must be carried out by qualified personnel.**

Electrical connection data



General information on the electrical connections and an overview of the positions can be found in section Overview of connections, ranges and dimensions (see page 5).

Model designation	Type	Model number	Country group *	Rated load	Mains connection	Fuse	Mains cable
AdoraDish V6000	AS6T	41169, 41171, 41147	A, E, F	3200 W	220–240 V~ 50 Hz	16 A	1.5 m, with plug
			B, C, D	2200 W	220–240 V~ 50 Hz	10 A	
		41172	A, E	3200 W	220–240 V~ 50 Hz	16 A	
		41177	A, E	3200 W	220–240 V~ 50 Hz	16 A	
			B	2200 W	220–240 V~ 50 Hz	10 A	
AdoraDish V4000	AS4T	41164	F	2200 W	220–240 V~ 50 Hz	10 A	1.5 m, with plug
		41166	A, B, E	2200 W	220–240 V~ 50 Hz	10 A	
		41168	A, E	3200 W	220–240 V~ 50 Hz	16 A	
			B	2200 W	220–240 V~ 50 Hz	10 A	
AdoraDish V2000	AS2T	41162	B, C, D, F	2200 W	220–240 V~ 50 Hz	10 A	1.5 m, with plug
		41163	A, E	2200 W	220–240 V~ 50 Hz	10 A	

* Key (see page 2)



The fixed adapter (article no. 1245010) must be used in conjunction with the type K socket to ensure the safety of the product (earthing). Is supplied with appliances for Denmark (see page 151).

Plumbing-in data



For special cases with water hardness in excess of 50 °fH, an external water softener is recommended.



Due to a standards requirement, the appliances must be connected to the drinking water supply by means of the backflow preventer (1278183) supplied.

Value		Nominal value	Minimum	Maximum
Mains pressure (0.1 MPa = 1 bar)	Static	0.3–0.4 MPa	0.1 MPa	1.0 MPa
	Flowing	–	0.08 MPa	1.0 MPa
Water hardness		–	0.5 °fH	50 °fH
Water inlet temperature		–	5 °C	60 °C



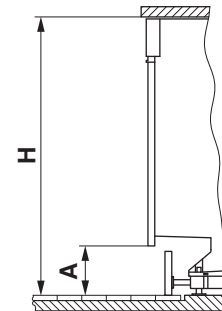
13.3 Installation overview

Depending on niche height **H**, either standard or extra height appliances or only one of the two can be installed.

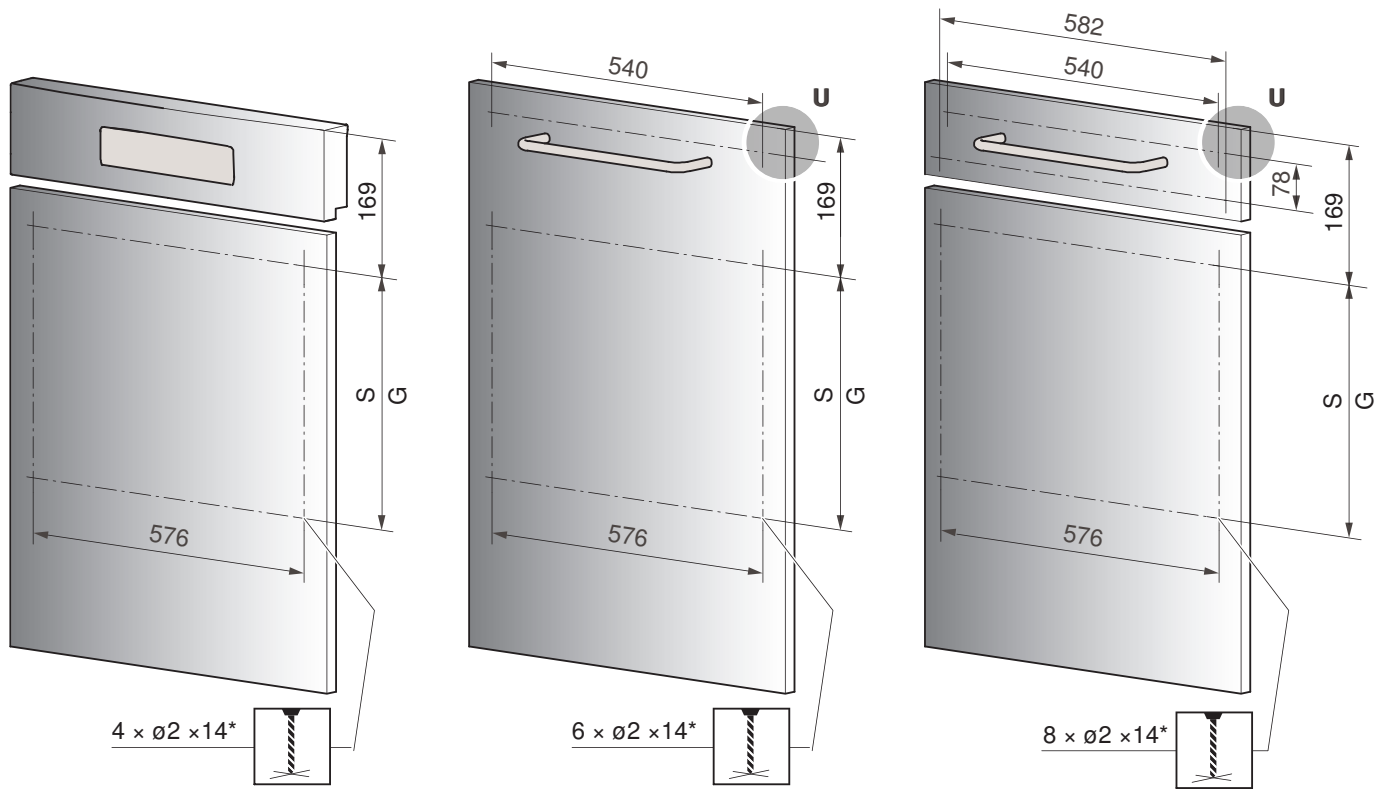
Niche height **H** in mm

	790	800	810	820	830	840	851	860	870	880	890	900	910	920	930	940	950	960
250												S						G
240											S	S					G	G
230										S	S	S				G	G	G
220									S	S	S	S			G	G	G	G
210								S	S	S	S	S		G	G	G	G	G
200							S	S	S	S	S	S	G	G	G	G	G	G
190						S	S	S	S	S	S	S/G	G	G	G	G	G	G
180					S	S	S	S	S	S	S/G	S/G	G	G	G	G	G	G
170				S	S	S	S	S	S	S/G	S/G	S/G	G	G	G	G	G	G
160			S	S	S	S	S	S	S/G	S/G	S/G	S/G	G	G	G	G	G	G
150		S	S	S	S	S	S	S/G	S/G	S/G	S/G	S/G	G	G	G	G	G	G
140	S	S	S	S	S	S	S/G	S/G	S/G	S/G	S/G	S/G	G	G	G	G	G	G
130	S	S	S	S	S	S	S/G	S/G	S/G	S/G	S/G	S/G	G	G	G	G	G	G
120	S	S	S	S	S	S	S/G	S/G	S/G	S/G	G	G	G	G	G	G		
110	S	S	S	S	S	S	S/G	S/G	S/G	G	G	G	G	G	G			
107	S	S	S	S	S	S	S/G	S/G	S/G	G	G	G	G	G				
100	S	S	S	S	S	S	S/G	S/G	G	G	G	G	G	G				
90	S	S	S	S	S	S	S/G	G	G	G	G	G	G					
80	S	S	S	S	S	S	G	G	G	G	G	G						
70	S	S	S	S	S		G	G	G	G	G							
60	S	S	S	S			G	G	G	G								
50	S	S	S				G	G	G									
40	S	S					G	G										
30	S						G											
23							G											

- S Standard
- G Extra height
- S/G Standard and extra height

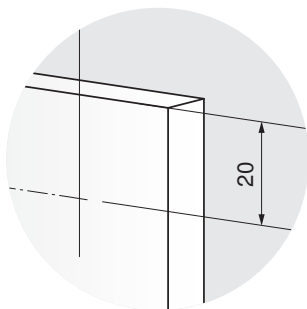


13.4 Drilling plans for decor panel 60 cm



S = Standard height	G = Extra height	*
350 mm	415 mm	Depth drilled from the back

Detail U

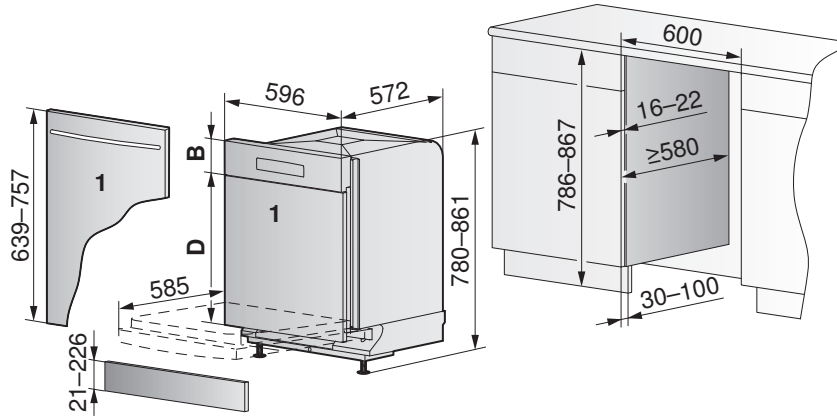


13.5 Dishwashers with niche width 60 cm



For worktops that are susceptible to moisture ingress, use worktop protection W70163.

Base unit «standard»



Appliance height		Niche height
780 - 825	2	786 - 831
816 - 861	3	822 - 867
851 - 896		857 - 902

The adjustable plinth **2** and the plinth runner **3** are included in the scope of delivery.

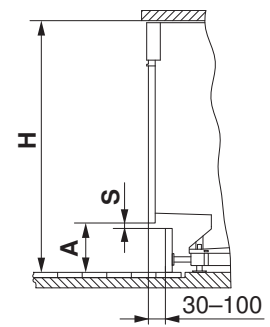
Additional plinth runners – to be ordered under Accessories.

► Front panel / decor system (wood) **1** must be cut to the required dimensions.

«Standard»	Integrated Nero, white, ChromeClass	Design integrated mirror glass
Operating panel B incl. compensator	124–146 mm	124–140 mm
Decor panel D	490–632 mm	496–632 mm



		Niche height H in mm												min. S in mm	
Dimension A in mm ↑	min.	790	800	810	820	830	840	850	860	870	880	890	900		
		27	37	47	57	67	77	87	97	107	117	127	137	137	2
		37	47	57	67	77	87	97	107	117	127	137	147	147	2
		47	57	67	77	87	97	107	117	127	137	147	157	157	2
		57	67	77	87	97	107	117	127	137	147	157	167	167	2
		67	77	87	97	107	117	127	137	147	157	167	177	177	2
		77	87	97	107	117	127	137	147	157	167	177	187	187	2
		87	97	107	117	127	137	147	157	167	177	187	197	197	2
		97	107	117	127	137	147	157	167	177	187	197	207	207	2
		107	117	127	137	147	157	167	177	187	197	207	217	217	5
		117	127	137	147	157	167	177	187	197	207	217	227	227	10
		127	137	147	157	167	177	187	197	207	217	227	237	237	15
		137	147	155	167	177	187	197	207	217	227	237	247	247	23
	max.		145	155	165	175	185	195	205	215	225	235	245	255	30



The permissible weights of the front panel / decor panel system 1 depend on the design variant:

Spring	Decor system		
	Integrated Nero, white, ChromeClass	Design integrated mirror glass	Fully integrated
Grade 0 white	2 to 7.5 kg *		
Grade 1 blue	5 to 10.5 kg	2 to 7.5 kg *	4 to 8.5 kg *
Grade 2 yellow **	9.5 to 16.5 kg	6 to 13 kg	7.5 to 12.5 kg **
Grade 3 green **	16.5 to 22 kg	13 to 19.5 kg	12.5 to 17.5 kg

* These springs are fitted as standard ex works.

** These spring variants are available as accessories.

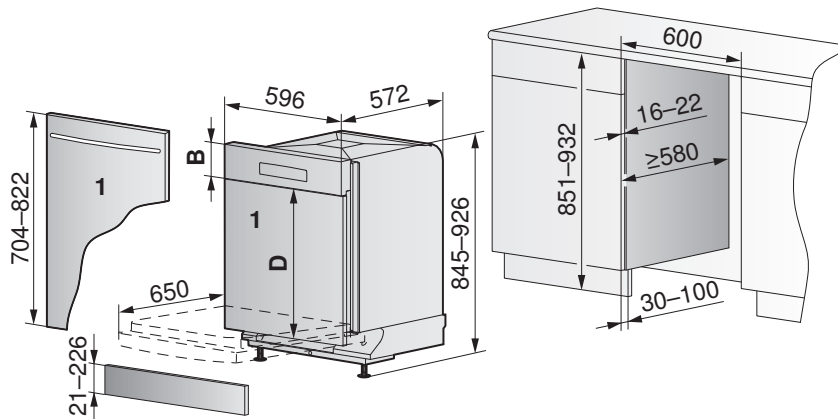
All spring variants are available as spare parts.

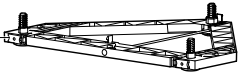



The weight specifications apply to uniform decor panels up to 22 mm thick.




For extra-long, uneven (e.g. frame constructions or bevelled glass plates, etc.) or thick (> 22 mm) decor panels, use the calculation tool (https://www.vzug.com/b2b/de/de/b2b_planningaid_page) to determine suitable springs.

Base unit «extra height»



Appliance height		Niche height
845 - 890	2 	851 - 896
881 - 926	3 	887 - 932
916 - 961	 	922 - 967

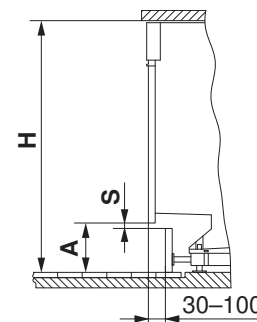
The adjustable plinth **2** and the plinth runner **3** are included in the scope of delivery.

Additional plinth runners  – to be ordered under Accessories.

► Front panel / decor system (wood) **1** must be cut to the required dimensions.

«Extra height»	Integrated Nero, white, ChromeClass	Design integrated mirror glass
Operating panel B incl. compensator	124–146 mm	124–140 mm
Decor panel D	555–697 mm	561–697 mm

		Niche height H in mm												min. S in mm
Dimension A in mm ↑	min.	851	860	870	880	890	900	910	920	930	940	950	960	2
		23	32	42	52	62	72	82	92	102	112	122	132	2
		33	42	52	62	72	82	92	102	112	122	132	142	2
		43	52	62	72	82	92	102	112	122	132	142	152	2
		53	62	72	82	92	102	112	122	132	142	152	162	2
		63	72	82	92	102	112	122	132	142	152	162	172	2
		73	82	92	102	112	122	132	142	152	162	172	182	2
		83	92	102	112	122	132	142	152	162	172	182	192	2
		93	102	112	122	132	142	152	162	172	182	192	202	2
		103	112	122	132	142	152	162	172	182	192	202	212	5
		113	122	132	142	152	162	172	182	192	202	212	222	10
		123	132	142	152	162	172	182	192	202	212	222	232	15
		133	142	152	162	172	182	192	202	212	222	232	242	23
	max.		141	150	160	170	180	190	200	210	220	230	240	250



The permissible weights of the front panel / decor panel system 1 depend on the design variant:

Spring	Decor system		
	Integrated Nero, white, ChromeClass	Design integrated mirror glass	Fully integrated
Grade 1 blue	2 to 6 kg *	0 to 3.5 kg	2 to 5.5 kg
Grade 2 yellow **	5 to 10.5 kg	2.5 to 7.5 kg *	4.5 to 8.5 kg *
Grade 3 green **	10 to 15.5 kg	7 to 12.5 kg	8.5 to 12.5 kg **
Grade 4 red **	15.5 to 19 kg	12.5 to 16.5 kg	12.5 to 16 kg

* These springs are fitted as standard ex works.

** These spring variants are available as accessories.

All spring variants are available as spare parts.

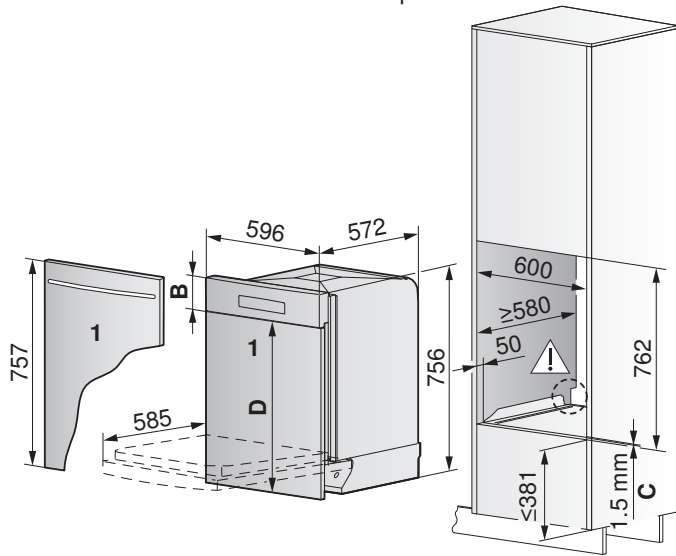
The weight specifications apply to uniform decor panels up to 22 mm thick.



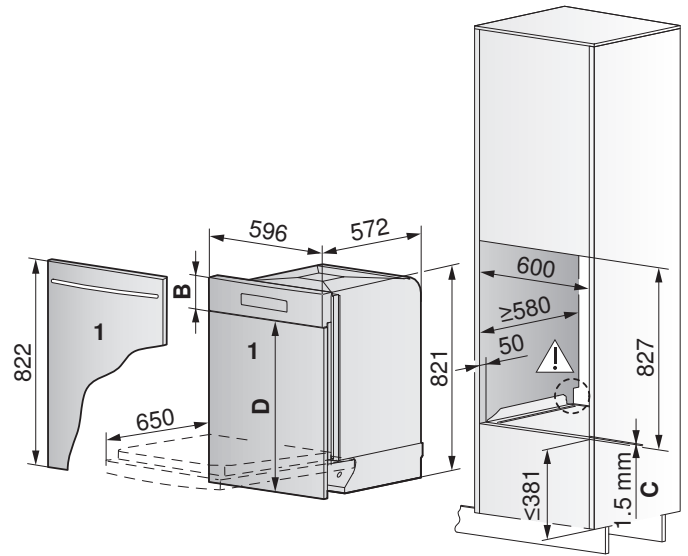
For extra-long, uneven (e.g. frame constructions or bevelled glass plates, etc.) or thick (> 22 mm) decor panels, use the calculation tool (https://www.vzug.com/b2b/de/de/b2b_planningaid_page) to determine suitable springs.

Tall unit «standard»

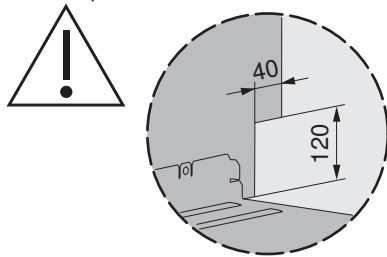
Can also be installed in base unit on plinth



Tall unit «extra height»



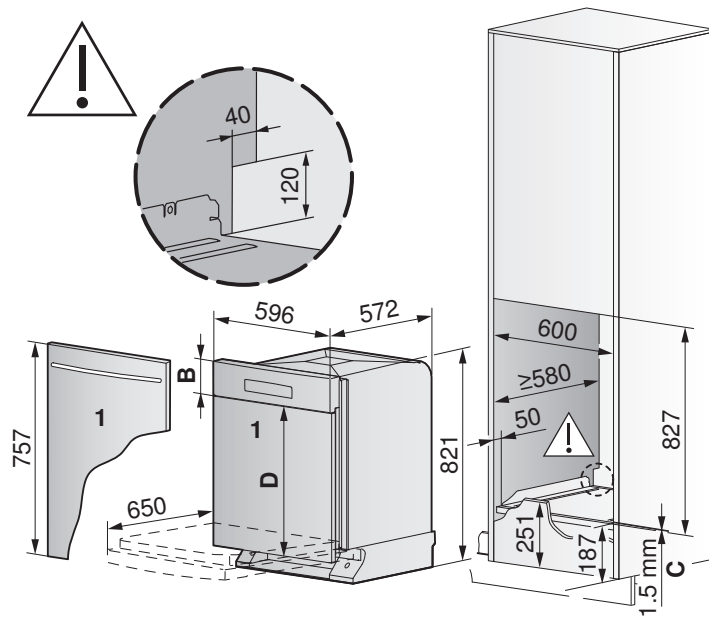
C Slide plate *



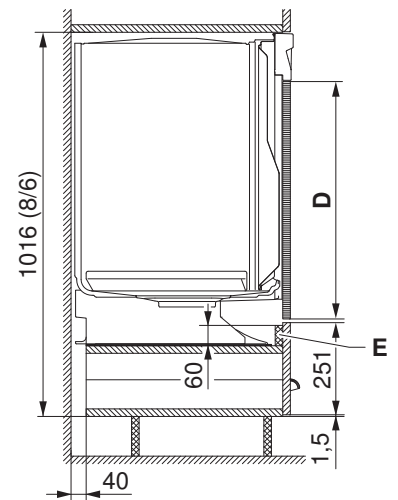
«Standard»	Integrated Nero, white, ChromeClass	Design integrated mirror glass
Operating panel B incl. compensator	124–146 mm	124–140 mm
Decor panel D	610–632 mm	616–632 mm
«Extra height»	Integrated Nero, white, ChromeClass	Design integrated mirror glass
Operating panel B incl. compensator	124–146 mm	124–140 mm
Decor panel D	675–697 mm	681–697 mm

* Slide plate conversion set for tall unit must be ordered from V-ZUG, see Accessories (see page 170).

Tall unit «extra height» with decor panel and drawer 251 mm



Cross-section of installation variant



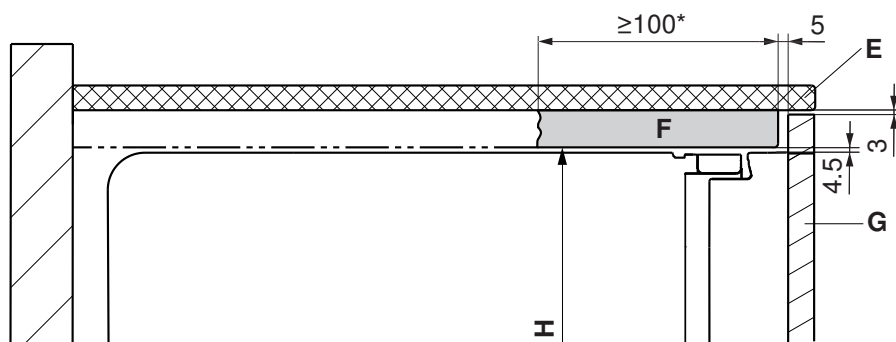
C Slide plate *
 E Removable cover strip

«Extra height»	Integrated Nero, white, ChromeClass	Design integrated mirror glass
Operating panel B incl. compensator	124–146 mm	124–140 mm
Decor panel D	610–632 mm	616–632 mm



* Slide plate conversion set for tall unit must be ordered from V-ZUG, see Accessories (see page 170).

Installing extra-long decor panel



* A continuous soffit vent is recommended.

- E Worktop
- F Continuous soffit vent
- G Decor panel
- H Niche height

14 Dishwashers with heat pump

14.1 General notes



It must be possible to pull the appliance out of the niche horizontally at any time without dismantling any part of the cabinet.

- ▶ Screws and fasteners must be countersunk in the niche. There should be no protruding parts, screw heads, brackets, etc., otherwise parts of the appliance could become damaged (risk of water damage).
- ⇒ Efficient repairs can only be guaranteed if it is possible to uninstall the whole appliance at any time without causing any damage.



It must be ensured air gap remains in the shadow gap.



General operating conditions

Ambient temperature: from min. 10 °C to max. 35 °C

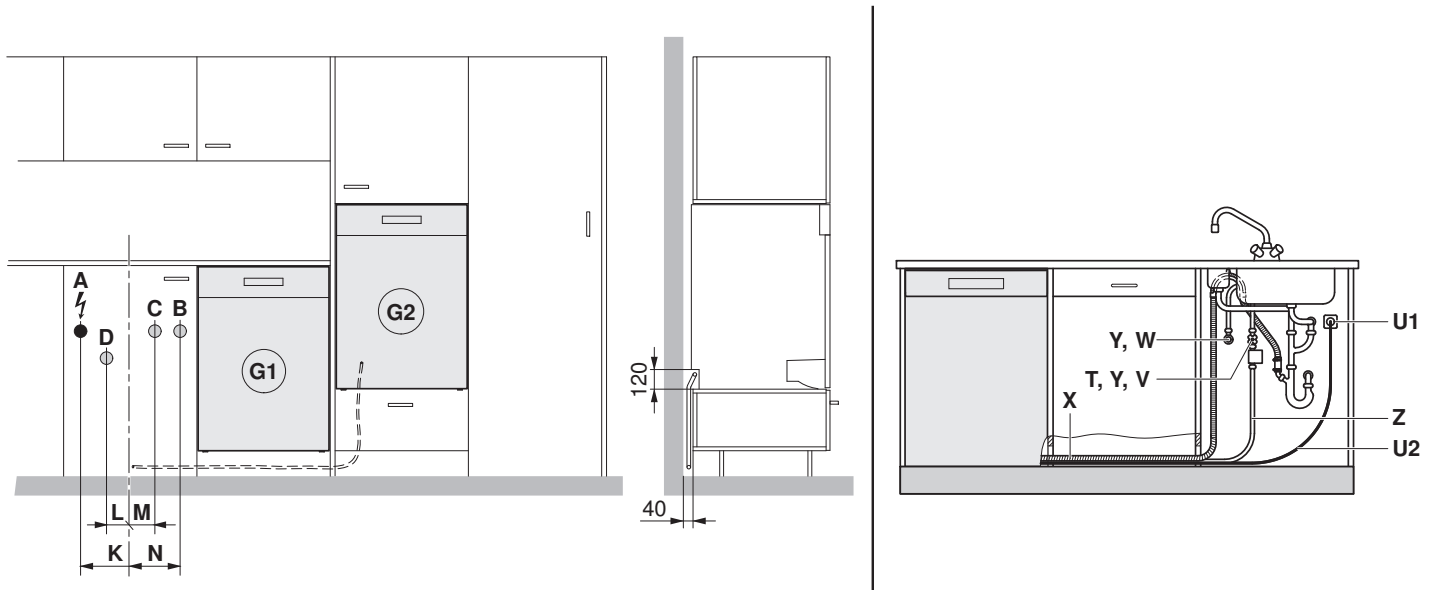
The appliances are designed for use up to a max. altitude of 2,000 m above sea level.

Validity

Model designation	Type	Model number
AdoraDish V6000	AS6T	41173

14.2 Electrical connection data / Plumbing-in data

Connection example



Designation		Connection from floor (plinth height 105 mm)	Connection in niche (from centre to connection)	Type of connection
A	Electrical connection	600 mm	K = 160 mm	Flush power socket 230 V
B	Cold water	600 mm	N = 170 mm	G $\frac{3}{4}$ "
C	Hot water *	600 mm	M = 70 mm	G $\frac{3}{4}$ "
D	Drain	400 mm	L = 110 mm	\varnothing 56 mm
G1	Dishwasher in base unit	Connection in adjacent compartment left or right		
G2	Dishwasher in tall unit	Connection in max. 2 compartments left or right		
T	Backflow preventer	Yes, $\frac{3}{4}$ "		
U1	Power socket	Yes		
U2	Connection cable	Length 1.50 m **		
V	Cold water connection	Yes		
W	Hot water connection *	Yes		
X	Drain hose	Length 1.55 m ** / internal diameter = 22 mm		
Y	Shut-off devices	Yes, $\frac{3}{4}$ "		
Z	Aquastop / water inlet with filter, G $\frac{3}{4}$ "	Length 1.55 m **		

* The hot water connection can be activated for a water flow temperature of at least 45 °C to maximum 60 °C. For the "No heating" function, a water flow temperature of 60 °C is recommended.

** If the standard connection length is not long enough, order the CS set with a longer connection length (AdoraDish (see page 170)).



Special lengths must be connected directly to the appliance. Conversion (AdoraDish (see page 170)) at a later point in time must be carried out by qualified personnel.

Electrical connection data



General information on the electrical connections and an overview of the positions can be found in section Overview of connections, ranges and dimensions (see page 5).

Model designation	Type	Model number	Country group**	Rated load	Mains connection	Fuse	Mains cable
AdoraDish V6000	AS6T	41173	A, E	3200 W	220–240 V~ 50 Hz	16 A	1.5 m, with plug
			B, C, D	2200 W	220–240 V~ 50 Hz	10 A	
			F	3200 W	220–240 V~ 50 Hz	16 A*	

* If converting an appliance to connection type 220–240 V~ 16A, order set W85585 separately. Only qualified personnel are permitted to carry out the installation.

** Key (see page 2)



The fixed adapter (article no. 1245010) must be used in conjunction with the type K socket to ensure the safety of the product (earthing). Is supplied with appliances for Denmark (see page 151).

Plumbing-in data



For special cases with water hardness in excess of 50 °fH, an external water softener is recommended.



Due to a standards requirement, the appliances must be connected to the drinking water supply by means of the backflow preventer (1278183) supplied.

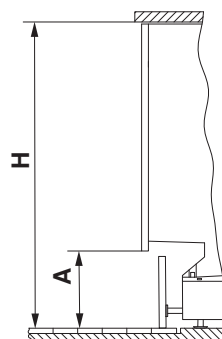
Value		Nominal value	Minimum	Maximum
Mains pressure (0.1 MPa = 1 bar)	Static	0.3–0.4 MPa	0.1 MPa	1.0 MPa
	Flowing	–	0.08 MPa	1.0 MPa
Water hardness		–	0.5 °fH	50 °fH
Water inlet temperature		–	5 °C	60 °C

14.3 Installation overview



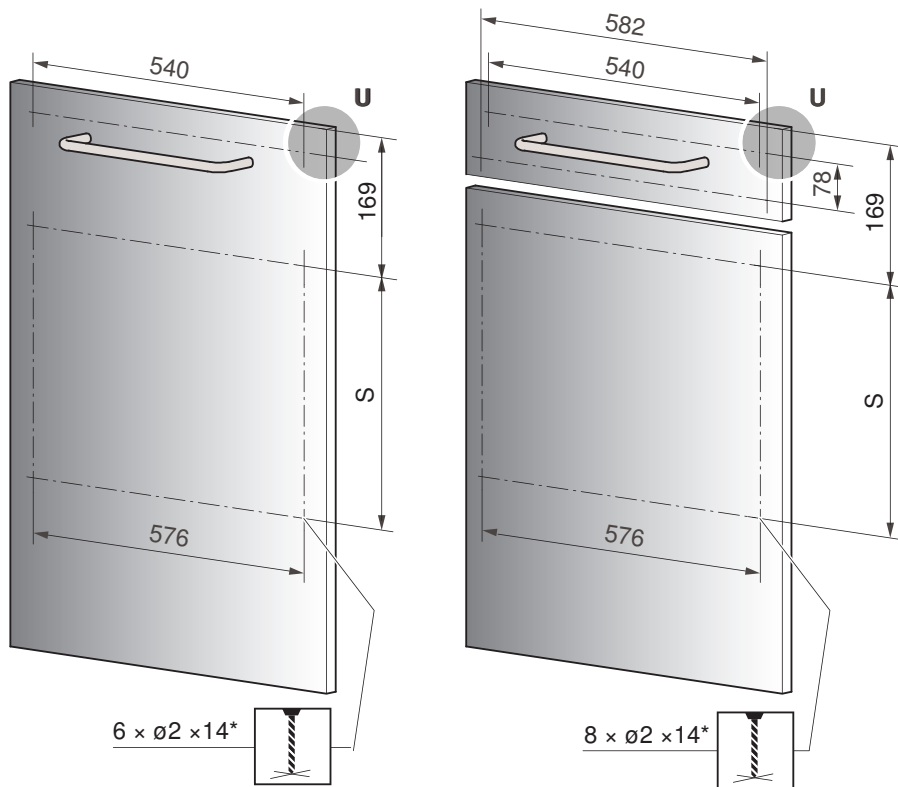
Keep base compartment unobstructed, appliance stands on the floor.

		Niche height H in mm				
		870	880	890	900	910
Dimension A in mm	200					S
	190				S	S
	180			S	S	S
	170		S	S	S	S
	160	S	S	S	S	S
	150	S	S	S	S	S
	140	S	S	S	S	
	130	S	S	S		
	120	S	S			
	110	S				
	105	S				



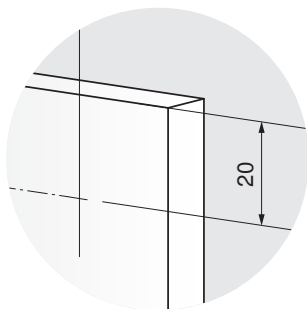
S Standard without unit base

14.4 Drilling plans for decor panel 60 cm



S = Standard height	*
350 mm	Depth drilled from the back

Detail U

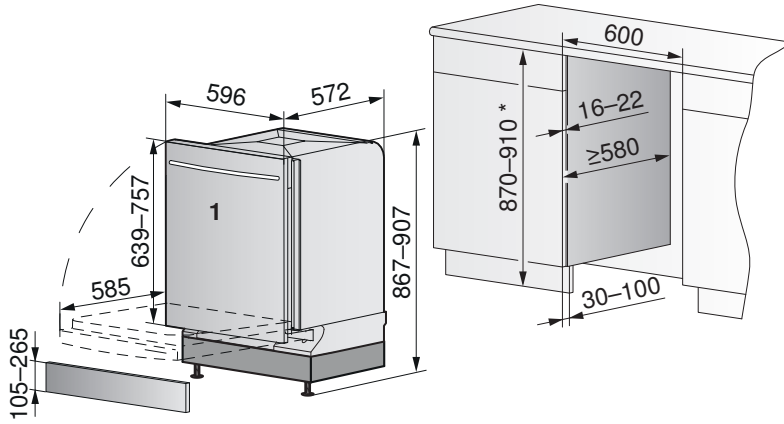


14.5 Dishwashers with niche width 60 cm



For worktops that are susceptible to moisture ingress, use worktop protection W70163.

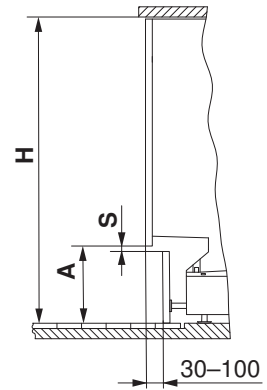
Base unit



* If the niche height is greater than 910 mm, a plate must be placed underneath the appliance or an extra-long decor panel must be used.

► Front panel / decor system (wood) 1 must be cut to the required dimensions.

Dimension A in mm	Niche height H in mm					min. S in mm
	870	880	890	900	910	
min.	107	117	127	137	147	2
	117	127	137	147	157	2
	127	137	147	157	167	2
	137	147	157	167	177	2
	147	157	167	177	187	2
	157	167	177	187	197	2
	167	177	187	197	207	2
	177	187	197	207	217	2
	187	197	207	217	227	5
	197	207	217	227	237	10
	207	217	227	237	247	15
	217	227	237	247	257	23
max.	225	235	245	255	265	30



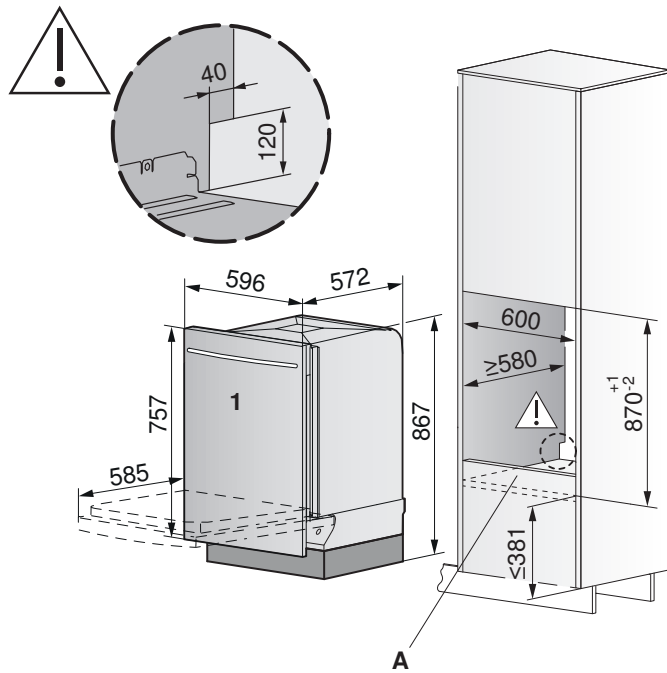
Decor system	Fully integrated
Standard springs (grade 1 blue)	2.5 to 6 kg
Reinforced springs (grade 2 yellow)*	6 to 9.5 kg
Reinforced springs (grade 3 green)	9.5 to 13.5 kg

The weight specifications apply to uniform decor panels up to 22 mm thick.

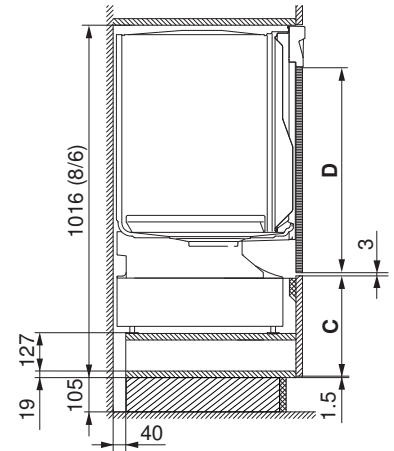


For extra-long, uneven (e.g. frame constructions or bevelled glass plates, etc.) or thick (> 22 mm) decor panels, use the calculation tool (https://www.vzug.com/b2b/de/de/b2b_planningaid_page) to determine suitable springs.

Tall unit

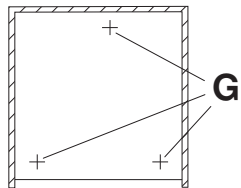


Cross-section of installation example



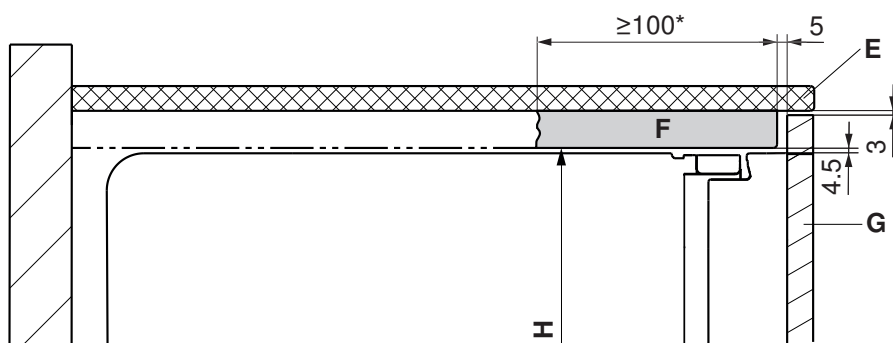
C Removable lower front panel (251)

Niche floor A



- Load-bearing capacity of niche floor A: 100 kg
- Given a load of 75 kg per appliance foot G, the niche floor may sag by a max. of 1 mm.

Installing extra-long decor panel



* A continuous soffit vent is recommended.

- E Worktop
- F Continuous soffit vent
- G Decor panel
- H Niche height

15 Refrigerating and freezing appliances

15.1 General notes



Insufficient ventilation can cause a malfunction and shorten the service life of the appliance.
Heavy door panel weights shorten the service life of the door hinges. Observe maximum permissible weight for door panel.
Efficient repairs can only be guaranteed if it is possible to uninstall the whole appliance at any time without causing any damage.
In an open-plan kitchen and living room, higher noise emissions can be expected if the ventilation slits face into the room.

15.2 Electrical connection data



General information on the electrical connections and an overview of the positions can be found in section Overview of connections, ranges and dimensions (see page 5).

Type of appliance	Climate class	Mains connection	Fuse	Mains cable
Refrigerators				
CombiCooler V6000 178NI (51148/51149)	SN-T	220–240 V~ 50 Hz	10 A	2.2 m, with plug
CombiCooler V4000 178KNI (51114)	SN-ST			
CombiCooler V4000 178NI (51108/51151)	SN-T			
CombiCooler V4000 (51087)	SN-T			
CombiCooler V600 178NI (51157)	SN-N			
Cooler V4000 178K (51139/51140)	SN-T			
Cooler V4000 178KG (51143)	SN-T			
CombiCooler V6000 75 Supreme (51115)	SN-T			2.5 m, with plug
Cooler V6000 75 Supreme (51116)	SN-T			
CombiCooler V6000 90 Supreme (51133)	SN-T			
Cooler V6000 90 Supreme (51134)	SN-T			
Winecoolers				
WineCooler V4000 90 (51102)	SN-T	220–240 V~ 50 Hz	10 A	2.2 m, with plug
WineCooler V4000 45 (51113)	SN-T			
WineCooler V4000 8U (51158)	SN-ST			
WineCooler V6000 (51135)	SN			2.8 m, with plug
WineCooler V6000 60 Supreme (51154)	SN-T			2.5 m, with plug
Freezers				
Freezer V4000 178N (53008/53009)	SN-T	220–240 V~ 50 Hz	10 A	2.2 m, with plug
Freezer V6000 60 Supreme (53006)	SN-T			2.5 m, with plug



The fixed adapter (article no. 1245010) must be used in conjunction with the type K socket to ensure the safety of the product (earthing). Is supplied with appliances for Denmark (see page 151).

15.3 Ambient conditions



**Condensate may form on the appliance in tropical conditions.
This has to be taken into account in the planning.**

Room temperature

Climate class	Minimum	Maximum
SN	+10 °C	+32 °C
N	+16 °C	+32 °C
ST	+16 °C	+38 °C
T	+16 °C	+43 °C
SN-ST	+10 °C	+38 °C
SN-T	+10 °C	+43 °C

Maximum installation/operating altitude above sea level



All refrigerating and freezing appliances: up to a max. altitude of 2,000 m above sea level.

Exceptions: WineCooler V4000 90 (51102), WineCooler V4000 45 (51113), WineCooler V4000 8U (51158), WineCooler V6000 (51135). These appliances are designed for use up to a max. altitude of 1,500 m above sea level.

15.4 Niche ventilation

For trouble-free heat dissipation of the appliance, an air duct must be provided whose width is no greater than the width of the unit with an unobstructed passage of at least 200 cm² from the air inlet in the plinth area **A** to the air outlet at the back **B** and at the front at the top **C**.

If there are wall units the ventilation gap **x** must be selected according to the following table.

If, for design reasons, a smaller ventilation gap **y** is preferred for the front-facing air outlet at the top, then ventilation at the top must be possible across several unit widths. The dimensions for **y** are given in the following table.

If refrigerators/freezers are installed side by side, the cross-section requirements for the air duct are doubled (**width b**).

Dimensions per appliance	b (mm)	y (mm)	x (mm)	
	550–568	≥40	≥50	
	1100–1168	≥30	≥100	
	≥1650	≥20		

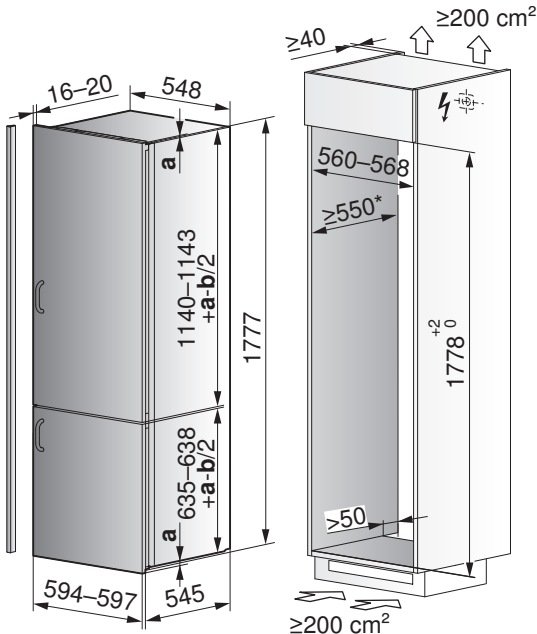
15.5 Refrigerators with niche width 60 cm



For refrigerators with a niche width of 60 cm, a kitchen cabinet depth of 560 mm is recommended. Ensure there is a minimum distance of ≥ 50 mm to the back wall.

CombiCooler V6000 178NI (51148/51149), (integrable)

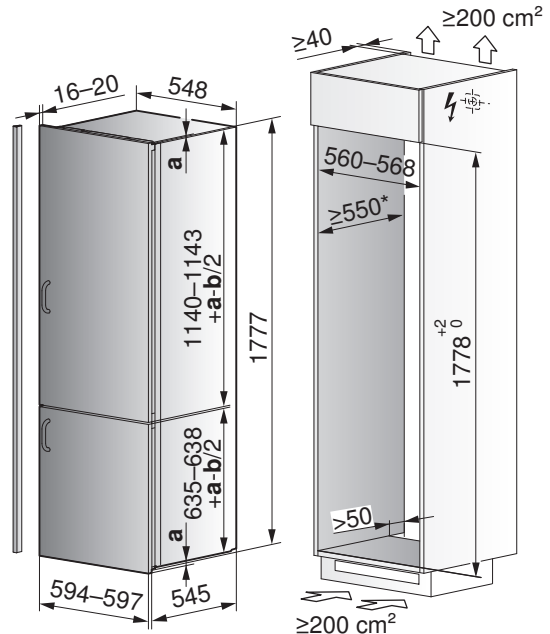
Maximum permissible weight of door panel:
 17.5 kg (top)/12 kg (bottom)



a Overlap, b Gap (≥ 4 mm)

CombiCooler V4000 178KNI (51114), (integrable)

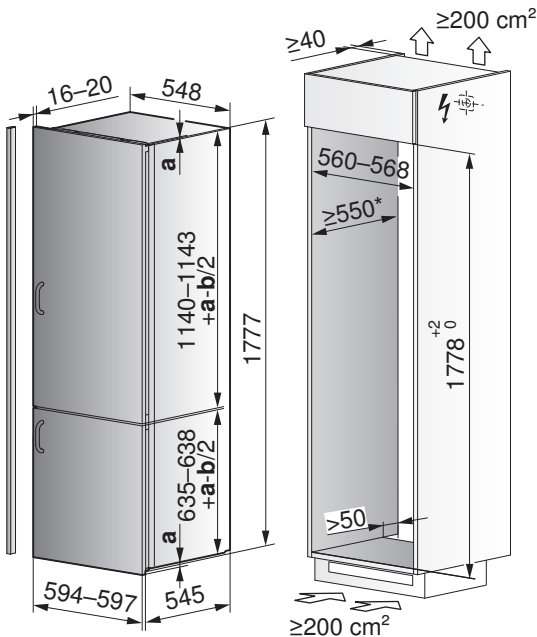
Maximum permissible weight of door panel:
 17.5 kg (top)/12 kg (bottom)



* = Recommendation: 560 mm.

CombiCooler V4000 178NI (51108/51151), (integrable)

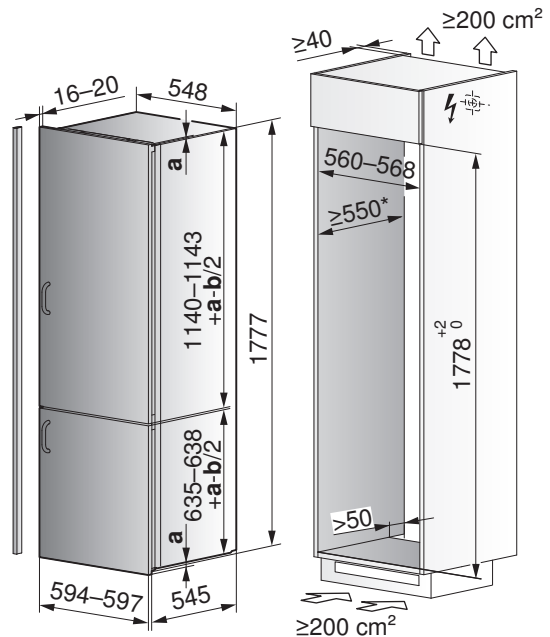
Maximum permissible weight of door panel:
 17.5 kg (top)/12 kg (bottom)



a Overlap, b Gap (≥ 4 mm)

CombiCooler V4000 (51087), (integrable)

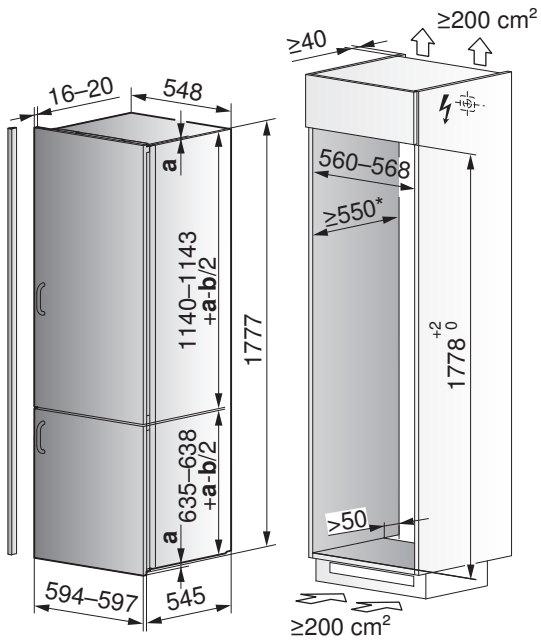
Maximum permissible weight of door panel:
 17.5 kg (top)/12 kg (bottom)



* = Recommendation: 560 mm.

CombiCooler V600 178NI (51157), (integrable)

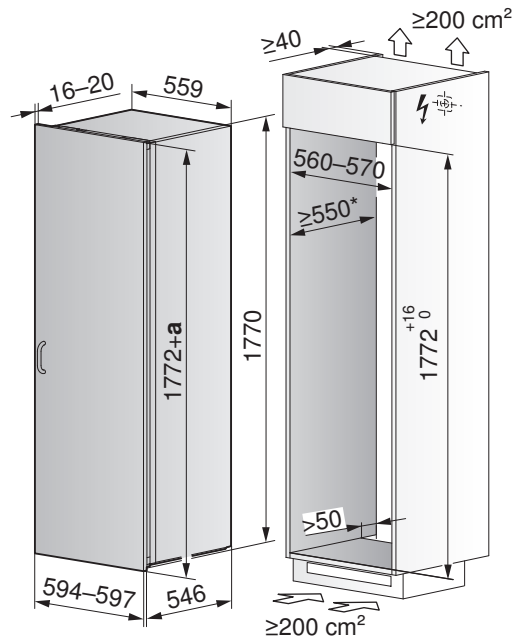
Maximum permissible weight of door panel: 17.5 kg (top) / 12 kg (bottom)



a Overlap, **b** Gap (≥4 mm)

Cooler V4000 178K (51139/51140), (integrable)

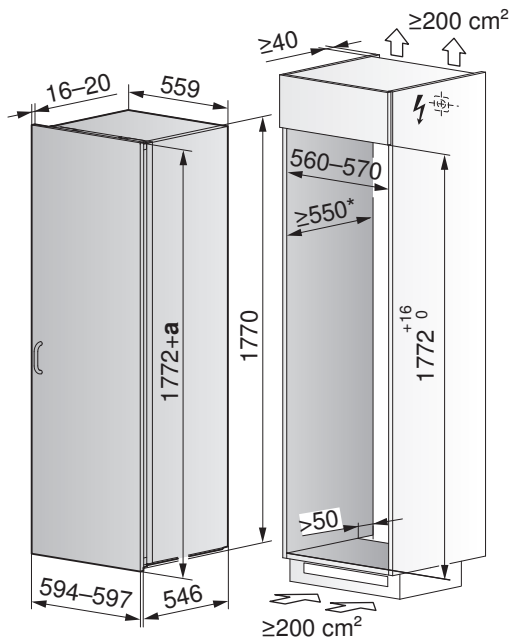
Maximum permissible weight of door panel: 26 kg



* = Recommendation: 560 mm.

Cooler V4000 178KG (51143), (integrable)

Maximum permissible weight of door panel: 26 kg



a Overlap

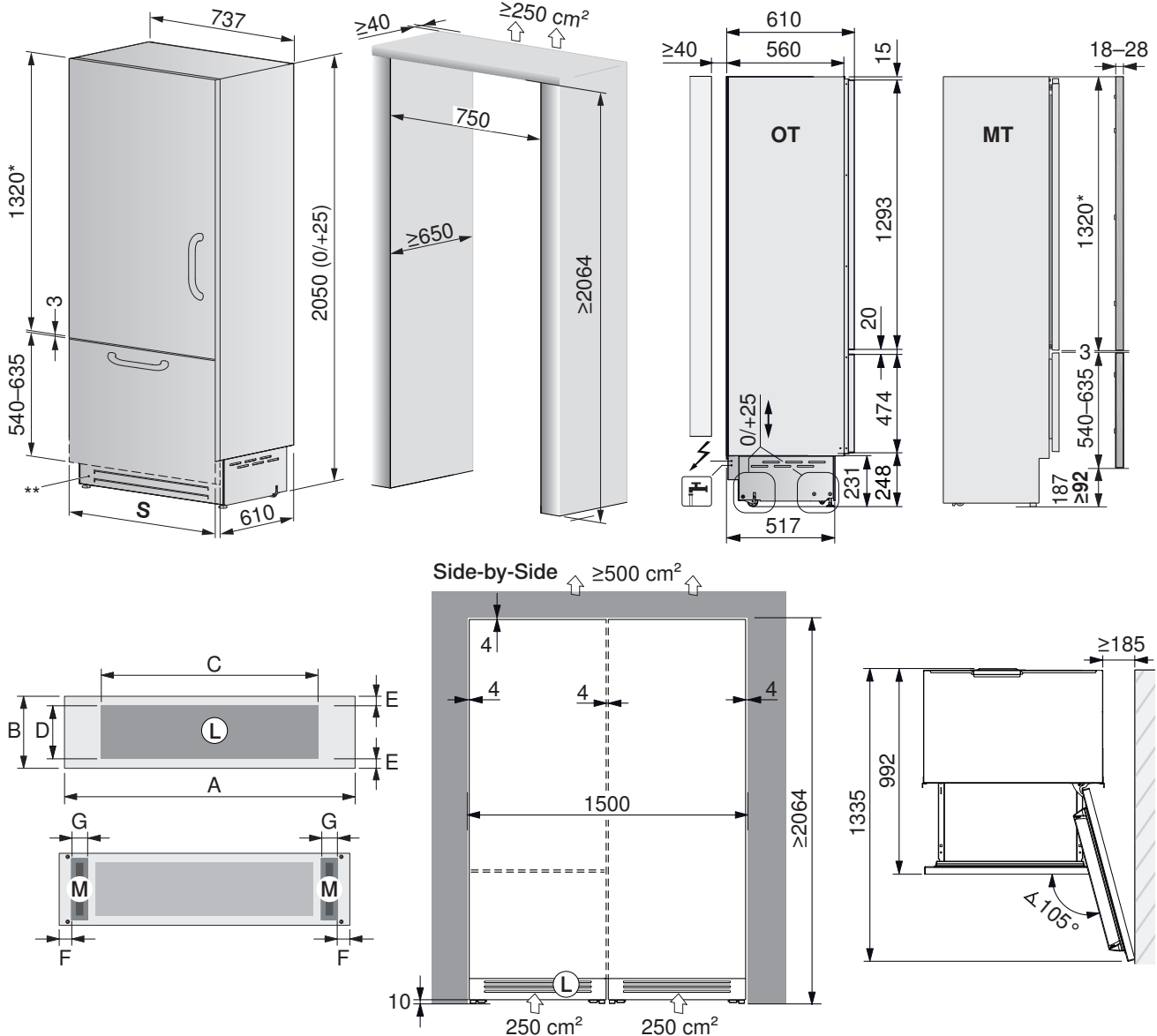


15.6 Refrigerators with niche width 75 cm

CombiCooler V6000 75 Supreme (51115)

CCO7205NBTMVI (fully integrable)

Gross weight: ~190 kg. Maximum permissible weight of door panel: 23 kg (top) / 11 kg (bottom). Water connection: Length 2.5 m, complies with EN 61770. Fixed water connection : 3/4" internal thread, inlet pressure from 0.05 MPa to 0.5 MPa (0.5 bar to 5 bar). The water connection must be accessible at all times. Electrical connection cable: 2.5 m.



- * = For niche height >2064, the height of door panel must be adjusted.
- ** = Chrome front grille can be replaced by kitchen cabinet front (for dimensions see installation instructions).
- S **Solo installation:** Width of cabinet front 744 mm, dimension of gap 3 mm, **Side-by-side:** Width of cabinet front 744 mm, dimension of gap 4 mm

OT View without door panel, MT View with door panel, L Air inlet (at least 50% open), M Magnet for mounting.

Dimensions for ventilation grille and position of magnet:

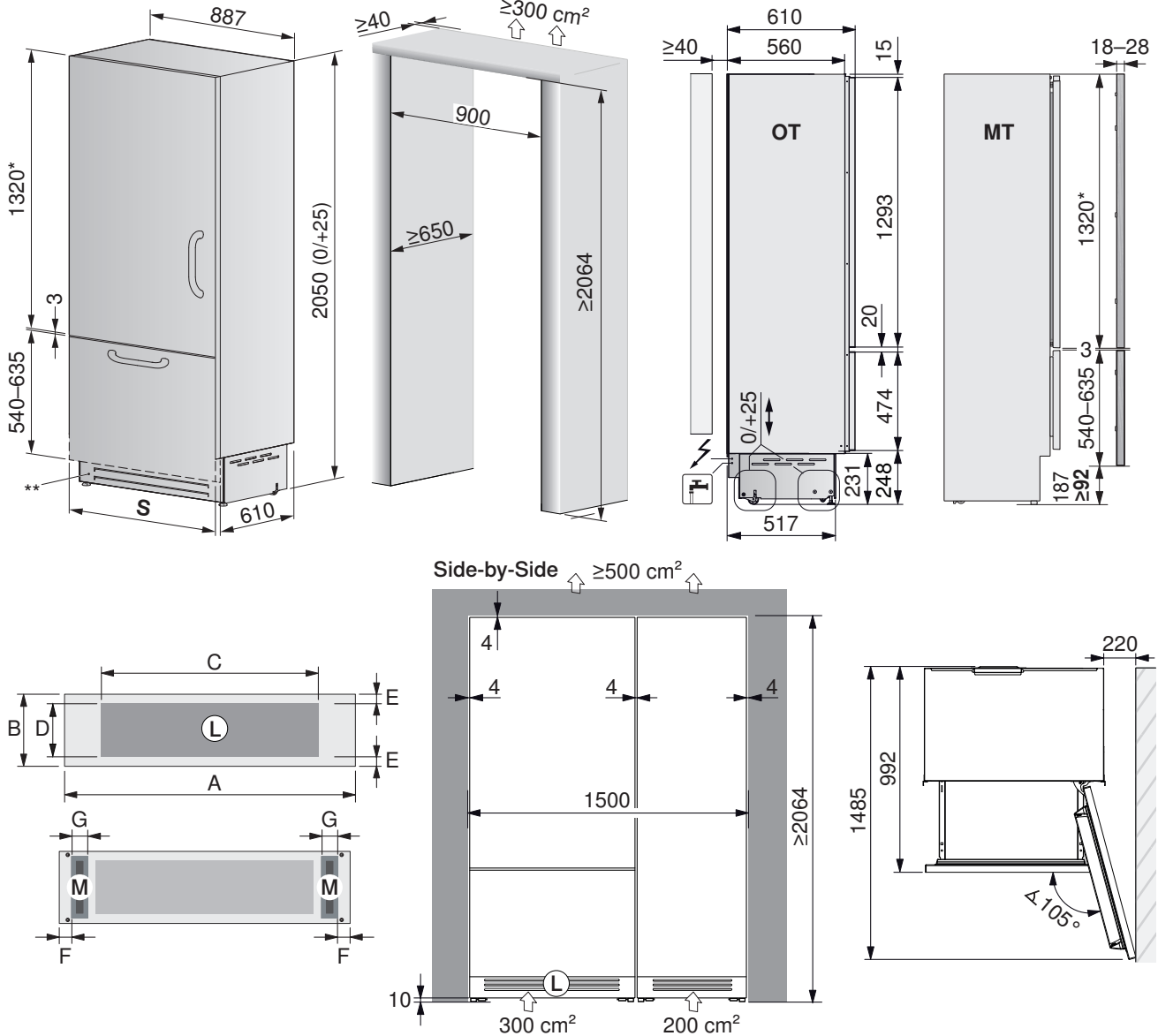
A = 744, B = 215, C = 550, D = 200, E = approx. 10, F = 60, G = 15-30.

Installation accessories: Chrome steel door panel set (incl. pearl door handle) width: 744, height of refrigerating section: 1320, height of freezer section: 580. Hinge left: Article no. 1281229, hinge right: Article no. 1281228. For side-by-side installation: Lateral plastic connecting angle, plastic cover strip and intermediate plastic cover strip are included in the scope of delivery.

15.7 Refrigerators with niche width 90 cm

CombiCooler V6000 90 Supreme (51133)
CCO9205NBHVI (fully integrable)

Gross weight: 212 kg. Maximum permissible weight of door panel: 23 kg (top) / 11 kg (bottom). Water connection: Length 2.5 m, complies with EN 61770. Fixed water connection : 3/4" internal thread, inlet pressure from 0.05 MPa to 0.5 MPa (0.5 bar to 5 bar). The water connection must be accessible at all times. Electrical connection cable: 2.5 m.



- * = For niche height >2064, the height of door panel must be adjusted.
- ** = Chrome front grille can be replaced by kitchen cabinet front (for dimensions see installation instructions).
- S Solo installation:** Width of cabinet front 894 mm, dimension of gap 3 mm, **Side-by-side:** Width of cabinet front 894 mm, dimension of gap 4 mm

OT View without door panel, **MT** View with door panel, **L** Air inlet (at least 50% open), **M** Magnet for mounting.
Dimensions for ventilation grille and position of magnet:
A = 894, **B** = 215, **C** = 700, **D** = 200, **E** = approx. 10, **F** = 60, **G** = 15–30.

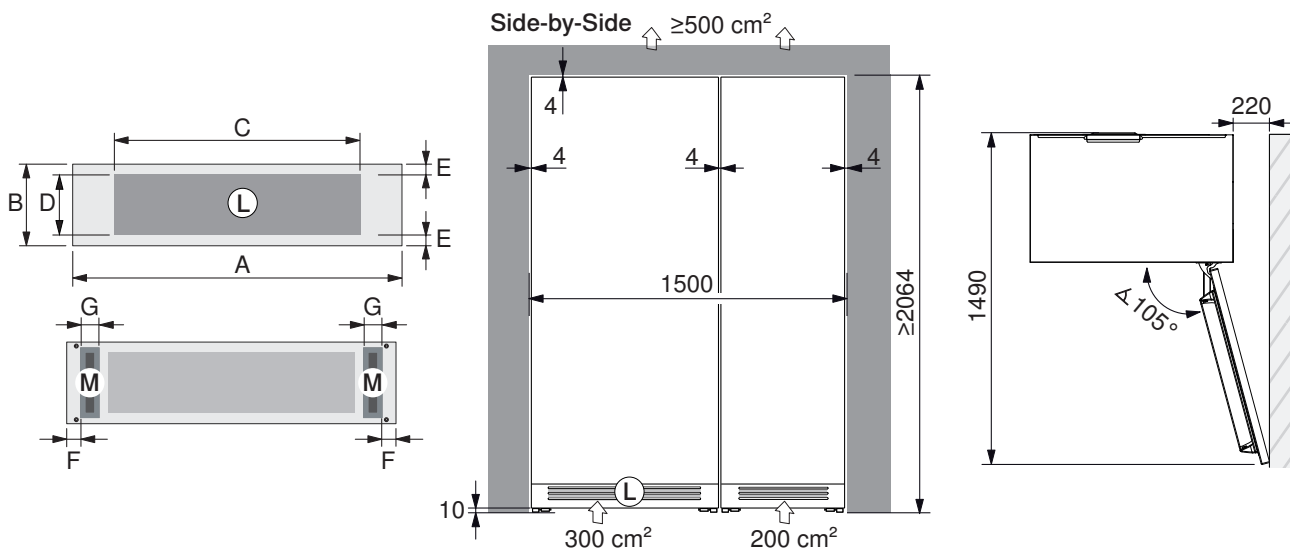
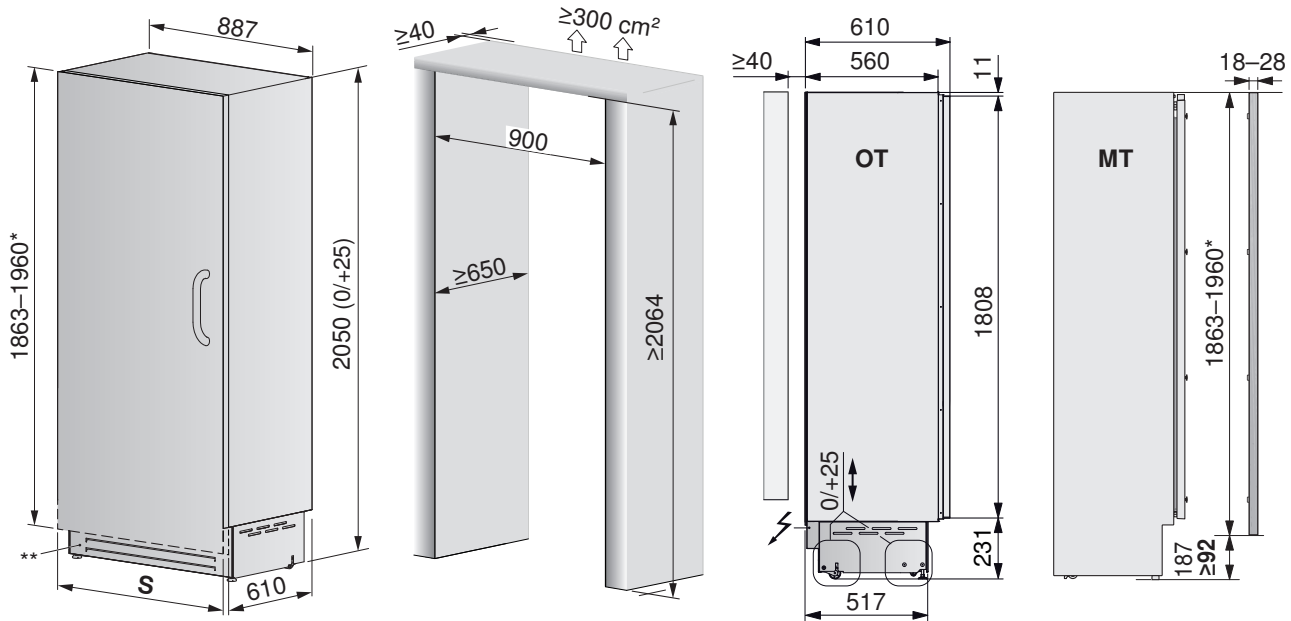
Installation accessories: Chrome steel door panel set (incl. pearl door handle) width: 894, height of refrigerating section: 1320, height of freezer section: 581. Hinge left: Article no. **1090119**, hinge right: Article no. **1087155**. For side-by-side installation: Lateral plastic connecting angle, plastic cover strip and intermediate plastic cover strip are included in the scope of delivery.

Cooler V6000 90 Supreme (51134)

CO9205H3VI (fully integrable)

Gross weight: 189 kg. Maximum permissible weight of door panel: 34 kg.

Electrical connection cable: 2.5 m.



* = For niche height >2064, drill holes in and height of door panel must be adjusted (see installation instructions).

** = Chrome front grille can be replaced by kitchen cabinet front (for dimensions see installation instructions).

S Solo installation: Width of cabinet front 894 mm, dimension of gap 3 mm, **Side-by-side:** Width of cabinet front 894 mm, dimension of gap 4 mm

OT View without door panel, **MT View** with door panel, **L Air inlet** (at least 50% open), **M Magnet** for mounting.

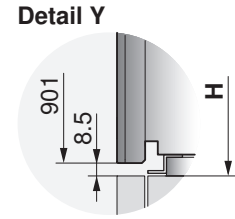
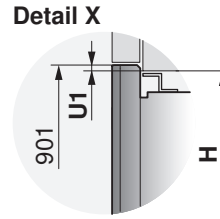
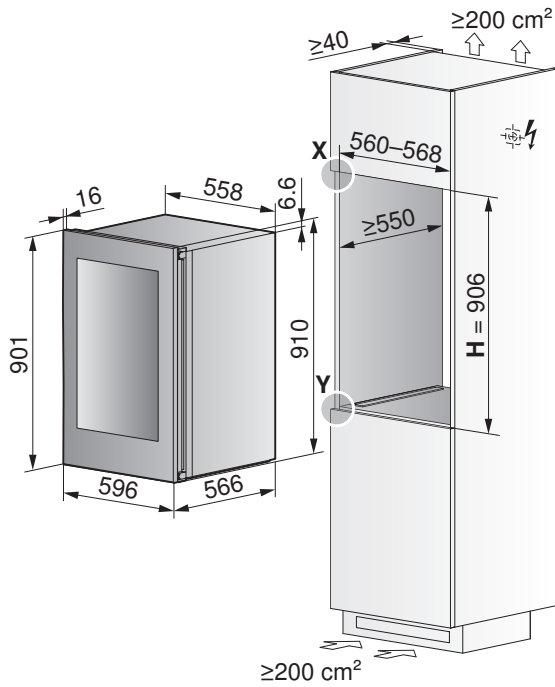
Dimensions for ventilation grille and position of magnet:

A = 894, **B** = 215, **C** = 700, **D** = 200, **E** = approx. 10, **F** = 60, **G** = 15–30.

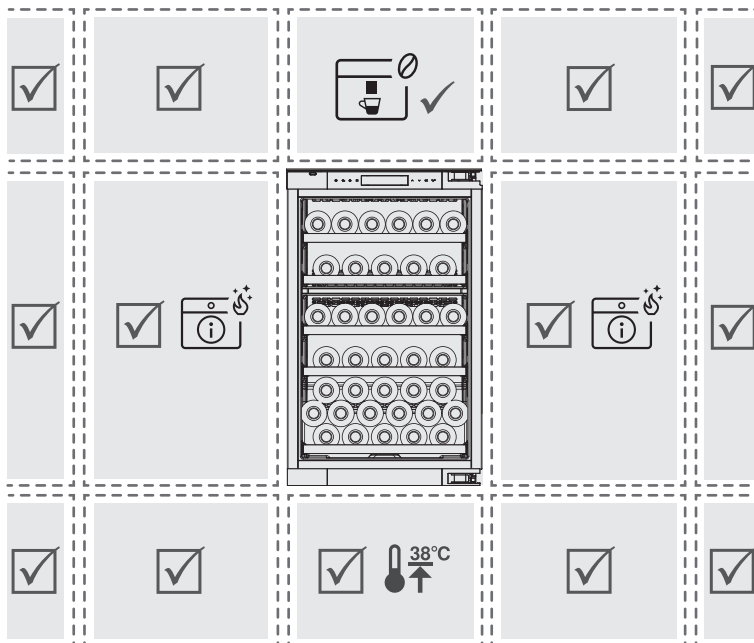
Installation accessories: Chrome steel door panel set (incl. pearl door handle) width: 894, height: 1904. Hinge left: Article no. **1090120**, hinge right: Article no. **1087157**. For side-by-side installation: Lateral plastic connecting angle, plastic cover strip and intermediate plastic cover strip are included in the scope of delivery.

15.8 Winecoolers

WineCooler V4000 90 (51102)



Overview: Possible combinations

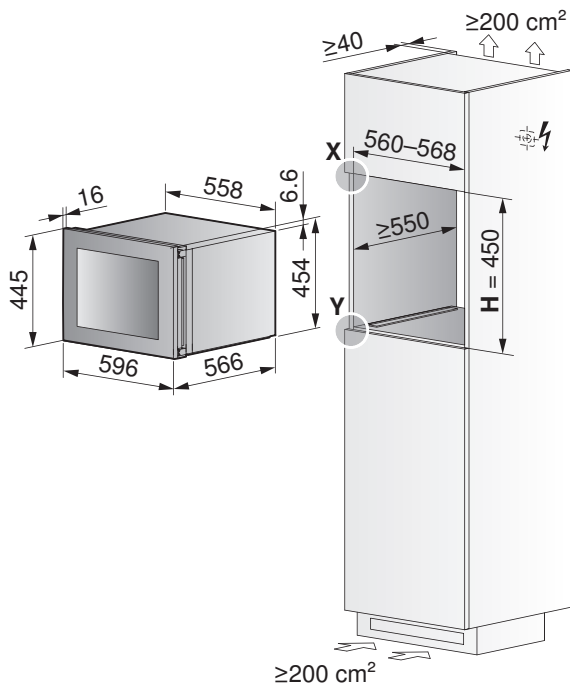


- ✓ Only this type of appliance is allowed
- ✓ All appliances are allowed
- ⓘ An appliance with pyrolytic cleaning function is not recommended!
- ☕ Automatic built-in coffee machine
- 🌡️ 38°C Up to a maximum room temperature of 38 °C.

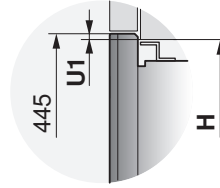
ⓘ A combination whereby a pyrolytic appliance is positioned to the left or right of the WineCooler is not recommended. In the event of such a combination, the temperature that has been set for the WineCooler cannot be guaranteed during pyrolysis. As a result, the temperature of the stored wine can fluctuate.

Model	Installation type	Niche height H	Overlap U1
51102	EURO 60	906 ^{+2/0}	3.5 mm

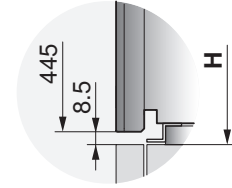
WineCooler V4000 45 (51113)



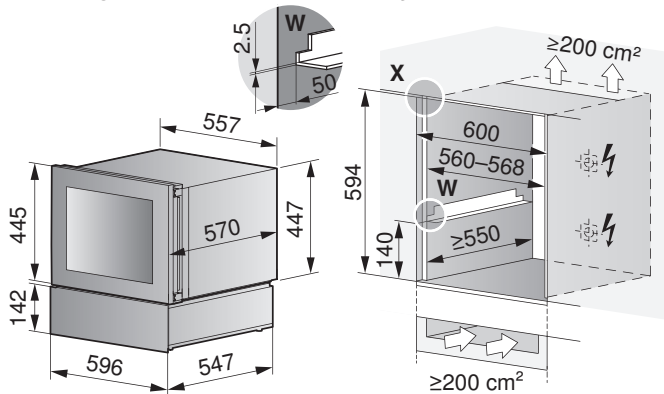
Detail X



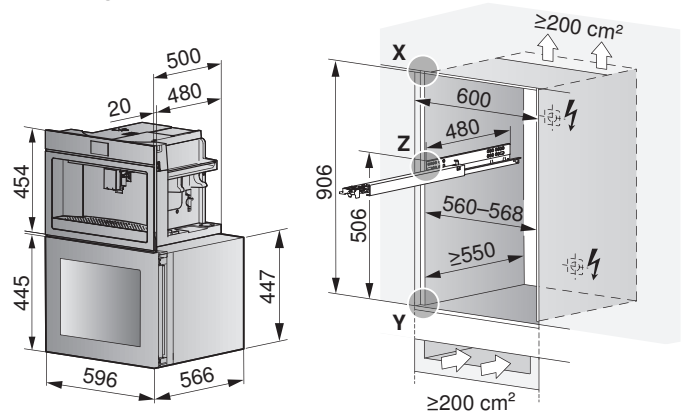
Detail Y



Installing with vacuum drawer or system drawer

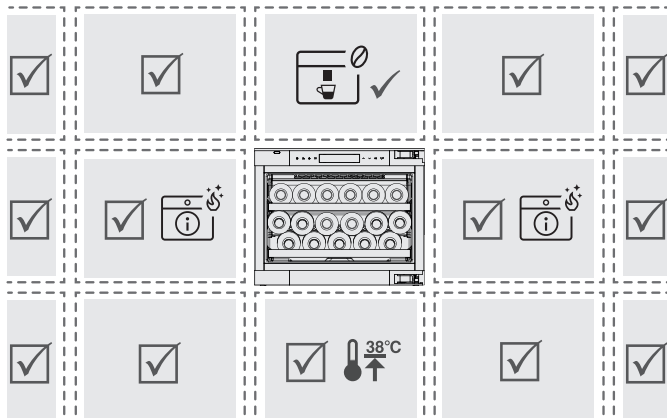


Installing with automatic built-in coffee machine



Front dimensions of the appliances: Detail X/Y (see page 12) and Detail Z

Overview: Possible combinations



- ✓ Only this type of appliance is allowed
- ✓ All appliances are allowed
- ⓘ An appliance with pyrolytic cleaning function is not recommended!
- ☕ Automatic built-in coffee machine
- 38°C Up to a maximum room temperature of 38 °C.

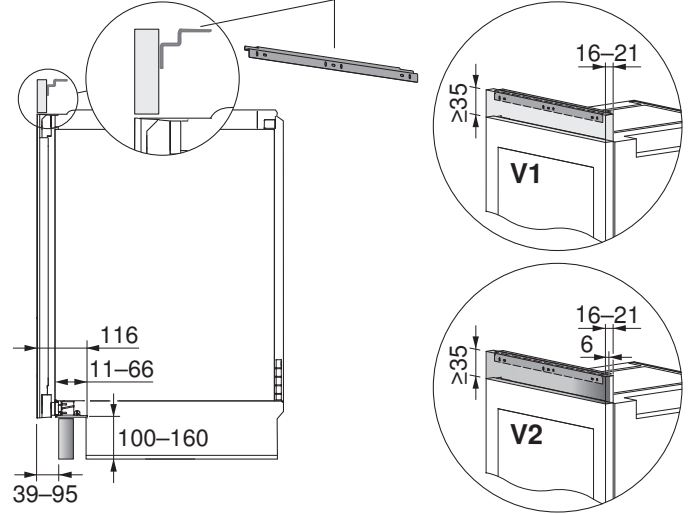
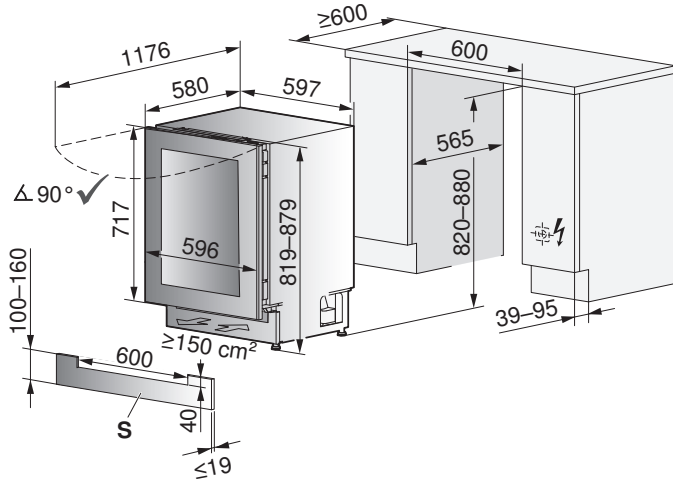
ⓘ A combination whereby a pyrolytic appliance is positioned to the left or right of the WineCooler is not recommended. In the event of such a combination, the temperature that has been set for the WineCooler cannot be guaranteed during pyrolysis. As a result, the temperature of the stored wine can fluctuate.

Model	Installation type	Niche height H	Overlap U1
51113	EURO 60	450 ^{+2/0}	3.5 mm

WineCooler V4000 8U (51158)

Side-by-side installation is possible. Two WineCoolers can be installed in the same niche (1200x820–880x565 mm) using an accessory set.

Ventilation grille is included in the scope of delivery. Mounting angle*: **Art. no. 1062627**
 V1: with wood, V2: with mirror glass not included in the scope of delivery.



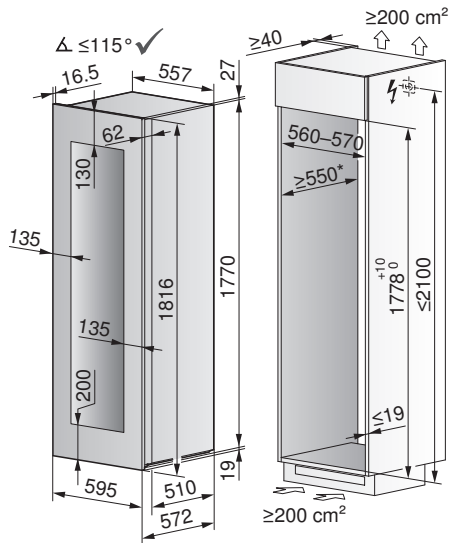
S Plinth panel

Note: Any deviations from the standard ventilation solution require that the supply air and the exhaust air are structurally separated all the way through to the air outlet.

Model	Installation type	Niche height H
51158	EURO 60	820–880 ⁺²

WineCooler V6000 (51135)

Side-by-side installation is possible with separate niches.



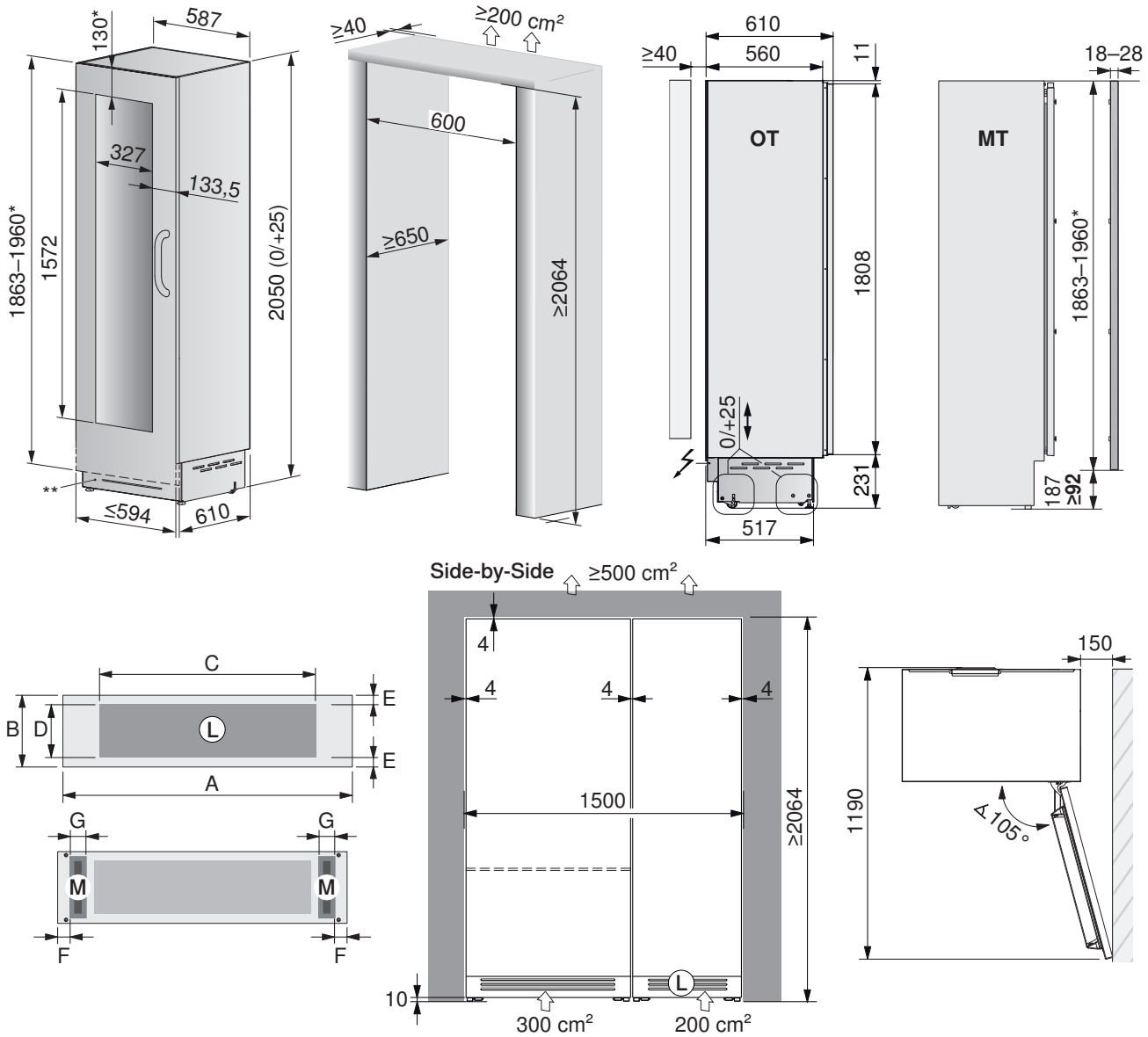
* = Recommendation: 560 mm.

Model	Installation type	Niche height H
51135	EURO 60	1778 ^{+10/0}

WineCooler V6000 60 Supreme (51154) (integrable)

Gross weight: 153 kg. Maximum permissible weight of door panel: 34 kg.

Electrical connection cable: 2.5 m.



* = For niche height >2064, drill holes in and height of door panel must be adjusted (see installation instructions).

** = Chrome front grille can be replaced by kitchen cabinet front (for dimensions see installation instructions).

OT View without door panel, **MT** View with door panel, **L** Air inlet (at least 50% open), **M** Magnet for mounting.

Dimensions for ventilation grille and position of magnet:

A = 594, **B** = 215, **C** = 400, **D** = 200, **E** = approx. 10, **F** = 60, **G** = 15-30.

Installation accessories: Chrome steel door panel set (incl. pearl door handle) width: 594, height: 1904.

Hinge left: Article no. **1090121**, hinge right: Article no. **1087156**,

For side-by-side installation: Lateral plastic connecting angle, plastic cover strip and intermediate plastic cover strip are included in the scope of delivery.

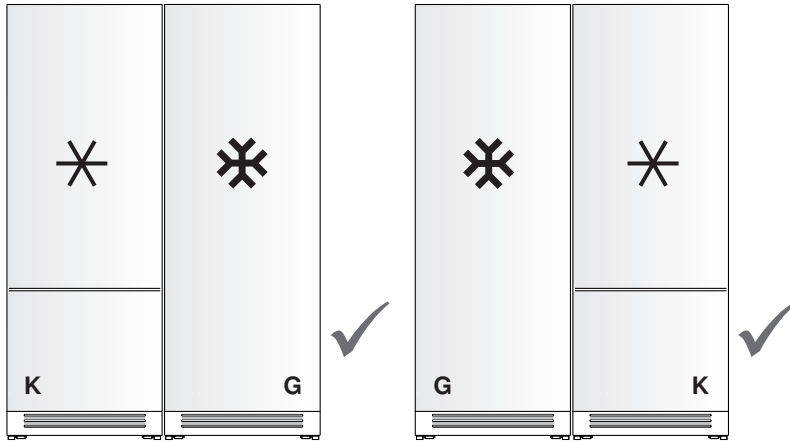
Model	Installation type	Niche height H
51154	EURO 60	≥ 2064

15.9 Freezers

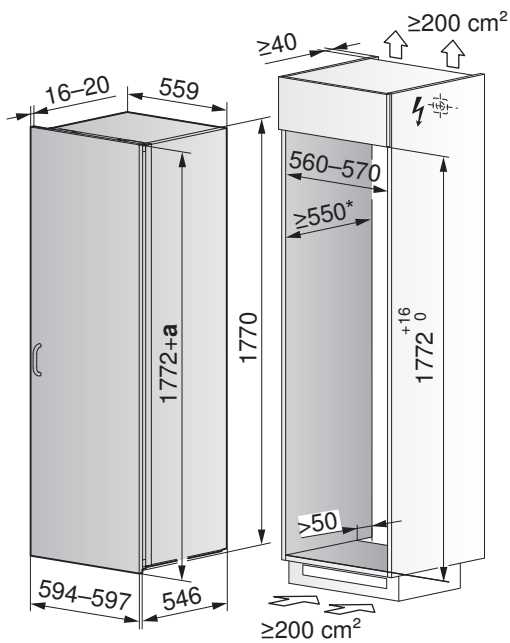
Side-by-side installation



Refrigerators **K** and freezers **G** can be installed left/right or vice versa. The appliances must be installed in separate cabinet units.



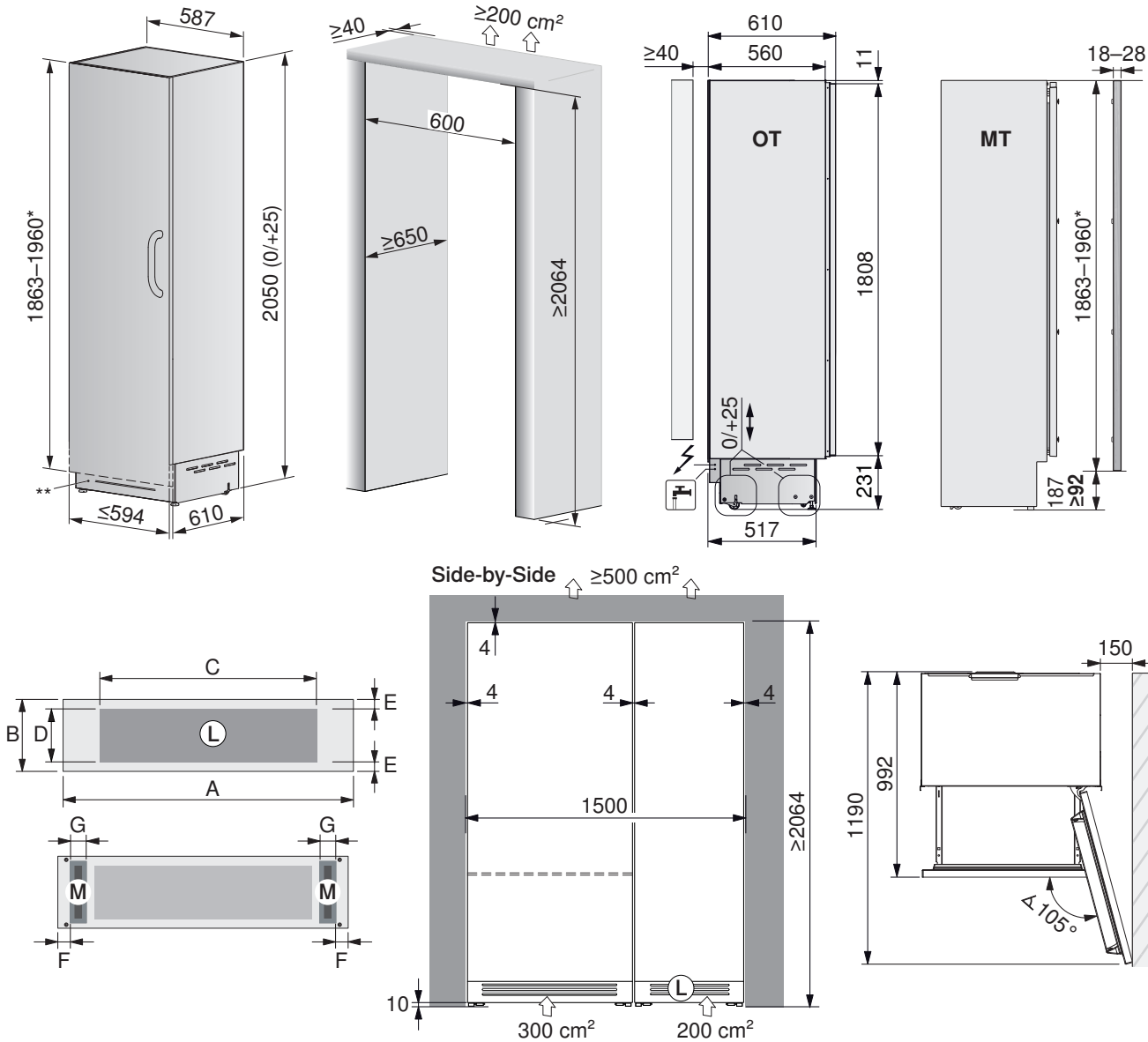
Freezer V4000 178N (53008/53009) (integrable)
 Maximum permissible weight of door panel: 26 kg



a Overlap, * = Recommendation: 560 mm.

Freezer V6000 60 Supreme (53006)

Gross weight: 153 kg. Maximum permissible weight of door panel: 34 kg. Water connection: Length 2.5 m, complies with EN 61770. Fixed water connection : 3/4" internal thread, inlet pressure from 0.05 MPa to 0.5 MPa (0.5 bar to 5 bar). The water connection must be accessible at all times. Electrical connection cable: 2.5 m.



* = For niche height >2064, the height of door panel must be adjusted.
 ** = Chrome front grille can be replaced by kitchen cabinet front (for dimensions see installation instructions).

OT View without door panel, **MT** View with door panel, **L** Air inlet (at least 50% open), **M** Magnet for mounting.

Dimensions for ventilation grille and position of magnet:

A = 594, **B** = 215, **C** = 400, **D** = 200, **E** = approx. 10, **F** = 60, **G** = 15–30.

Installation accessories: Chrome steel door panel set (incl. pearl door handle) width: 594, height: 1904.

Hinge left: Article no. **1090126**, hinge right: Article no. **1090125**,

For side-by-side installation: Lateral plastic connecting angle, plastic cover strip and intermediate plastic cover strip are included in the scope of delivery.

16 Accessories

16.1 Fixed adapter

Fixed adapter, for use in conjunction with a type E plug in a type K socket (Denmark), with protective contact.

Art. no. 1245010 Fixed adapter, 250 V 16 A



16.2 Ovens / steamers / microwave ovens / coffee machines / vacuum drawers / warming drawers / system drawers

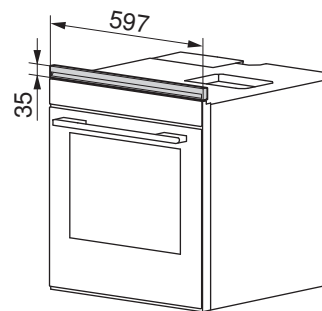
Designer handle for CombiSteamer V6000 45L Grand

Colour	Length	Art. no.
Black	760 mm	1190681
Platinum		1190682
Pearl		1190683

Compensation elements

Ventilation grille

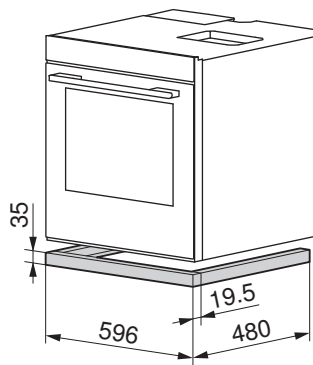
- The ventilation grille for the Advanced Line is used for appliances with a glass ceramic hob installed above them.
- For installation with the appliance, see installation instructions 1241031.



Colour	Material	Art. no.	Type of construction	Compatible with
Nero	Metal	1257770	60-600	Comhair V600
White	Metal	1257771	60-600	
ChromeClass	Metal	1257772	60-600	

Adapter frame

- The adapter frame for the Advanced and the Excellence Line is used beneath the appliance.
- For installation in a niche, see installation instructions J731050.



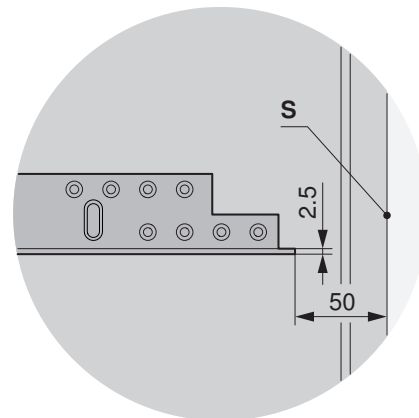
Colour	Material	Art. no.	Type of construction	Compatible with
Nero	Plastic	K38136	60-600	Comhair, ComhairSteamer, CombiSteamer, Steamer
White	Plastic	K38137	60-600	
Mirror glass	Glass	K38134	60-600	
ChromeClass	Plastic	K48135	60-600	

Angle set for combination possibilities

- For installation, see installation instructions J21021050.
- ▶ In the niche mount to the wood left and right.
- ▶ The appliance is placed on the mounting angles and pushed into the niche.

Art. no. **K50572**, construction type EURO

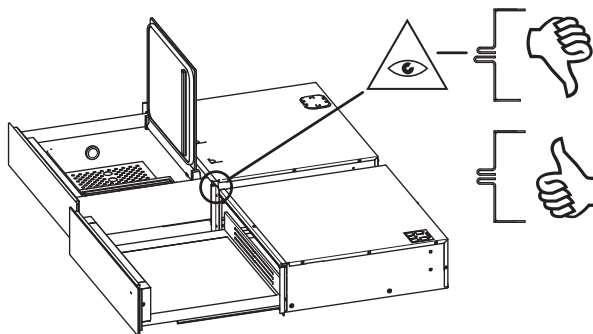
S Unit front



Trim kit (edge protection)

- For installation, see installation instructions: **1044771, 1044772, 1075944.**

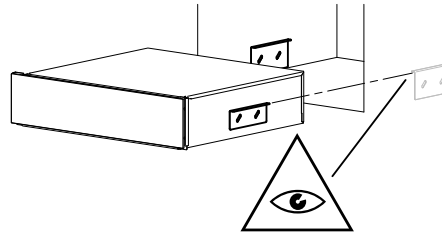
Art. no. **1056472** trim kit (edge protection) only needs to be ordered once.



Anti-tip set for VacuDrawer V6000

- For installation, see installation instructions: **1044772**.

Art. no. 1016692 Anti-tip set only needs to be ordered once.



Design cover

The design cover covers the intermediate base for EURO niches and is for a combined installation of two appliances e.g. oven **1** and CombiSteamer **2**. The cover is dimensioned for panel overlapping of 4 mm.

- For installation, see installation instructions J340050.
- Depending on the thickness of the intermediate base **b**, two variants (nero) of the design cover **A** are available:

Art. no. K37158 (**b** = 16 mm / **a** = 10.5 mm)

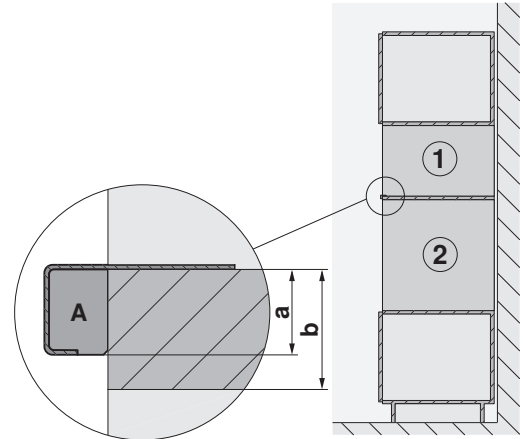
Art. no. K37159 (**b** = 19 mm / **a** = 13.5 mm)

Aesthetic profile

Assembly kit with aesthetic profile for installing Miwell next to another appliance.

- For installation, see installation instructions 1009019.

Art. no.1009179



Drain hose

5-m long drain hose for CombiSteamer V6000 45F with fixed water connection.

Art. no.1012933



16.3 Hobs and gas hobs

Ventilation protective plate set for installation below induction hobs		Article no.	Installation instructions
Niche width 600 mm with seal Niche width 825 mm with seal Niche width 900 mm with seal	For all other induction appliances	H61083 H61084 H61085	J40248
Niche width 600 mm without seal Niche width 825 mm without seal Niche width 900 mm without seal	- for induction CookTop V4000 I904 CookTop V4000 I904	H61087 H61088 H61089	
Ventilation grille, height 35 mm for built-under short ovens		Article no.	Installation instructions
Type of construction 60-600			
White Nero ChromeClass ChromeClass (TouchClean)		H63161 H63163 H63165 H63256	J40254
Type of construction 60-450			
Nero ChromeClass ChromeClass (TouchClean)		H60039 H60041 H60053	J40250
Type of construction 60-381			
Nero ChromeClass ChromeClass (TouchClean)		H60033 H60035 H60049	J40252
Angle set for flush installation with straight stone cut		Article no.	Installation instructions
Hob size 30 Hob size 40 Hob size 60 Hob size 70 Hob size 80 Hob size 90 Hob size 90 Panorama		H63770 H63771 H63772 H63773 H63774 H63775 H62568	J004130
Set for flush installation		Article no.	Installation instructions
Sealing strip set		H63283	J004130
Spacer set		H60330	
Adjusting brace set for installation in glass worktops		Article no.	Installation instructions
Adjusting brace set		H62510	J41699
Foam profile (for retrofitting existing ventilation plates)		Article no.	Installation instructions
Length: 520 mm Length: 570 mm Length: 780 mm Length: 870 mm		H63651 H63652 H63653 H63654	-


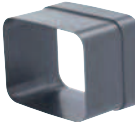


Intermediate support sets for combined installation	Article no.	Installation instructions
Stainless steel intermediate support for the surface-mounted combination of several hobs is not available in Germany .	1014361	1013770
Black intermediate support for the surface-mounted combination of several hobs is not available in Germany	1019199	
Side strips for combination installation with Teppan Yaki and hob hood	1028587	
Intermediate support (2× contained in set) for the flush-mounted combination of several hobs	H63789	1014378

Special gas hobs	Article no.
Gas deflector for DSMS combination and gas hob	1031218
Sealing ring for gas connection, flat	1030096

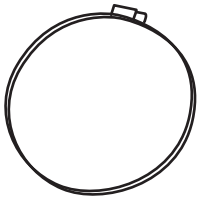
Installation accessories for hobs	Article no.
OX Mini Quick, instant adhesive for installation of the steel angle (50 ml)	B11657
Mixing nozzle for Gel Mix, replacement mixing nozzles for instant adhesive (set of 12)	B11656
AKEPOX Gun Gel Mix + Mini Quick for 50 ml cartridges	B75202
Sealing strip set (tape and spacer material)	H63283
Sealing tape 10 × 3 × 2800	86392887
Sealing tape 5 × 1.5 × 2552	H62377
Spacer set	H60330
TREMCLEAN isopropyl alcohol (1000 ml)	1056609
Black silicone FA880 (310 ml)	B11555
Anthracite silicone FA880 (310 ml)	B11556
White silicone FA880 (310 ml)	1031313
Stone grey silicone FA880 (310 ml)	1031314
Marble smoothing agent AA320 (1000 ml)	B11557

Nozzle sets for gas hobs in the overview (see page 60)

Accessories for CombiCookTop V2000 I604 (31175/31176)

Telescopic connection	Extension duct	90° flat channel elbow	Transition piece, straight
			
1314011	1314012	1314013	1314014

Quick-locking hose clamp



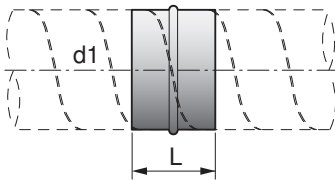
Art. no.

33121304
 33121336

ø110–130 mm
 ø150 mm

Connecting nipples / Connecting pipes

Connecting nipple



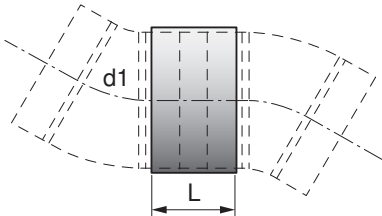
Description

Sendzimir galvanized sheet steel
 L = 80 mm

Art. no.
 H42031

d1
 ø150 mm

Connecting pipe



Description

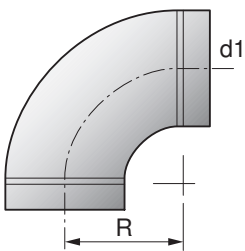
Sendzimir galvanized sheet steel
 L = 90 mm

Art. no.
 H42032
 H42033

d1
 ø125 mm
 ø150 mm

Elbow

Elbow 90°



Description

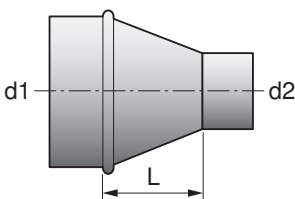
Elbow, pressed, R = d1
 Use with flexible and rigid pipes
 Sendzimir galvanized sheet steel

Art. no.
 H42034
 H42036

d1
 ø125 mm
 ø150 mm

Reducers

Reducer



Description

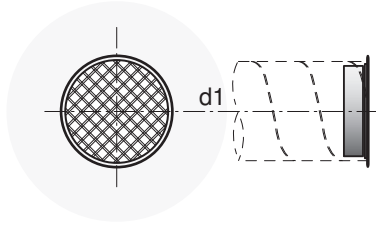
Pressed version, L = 22 mm
 Sendzimir galvanized sheet steel

Art. no.
 H42040

d1
 ø150–125 mm

Pipe end pieces

Pipe end piece



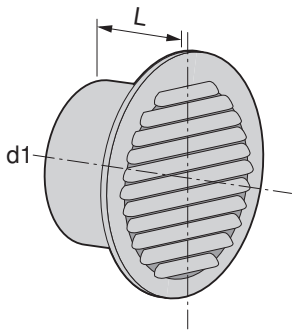
Description

Connection with grille
Sendzimir galvanized sheet steel

Art. no. H42048
d1 ø150 mm

Weather protection grille

Weather protection grille



Description

Weather protection grille without a non-return flap valve, round, pressed, made from aluminium. With fly screen and connection piece, L = 45 mm.

Note: This article is not recommended in combination with range hoods.

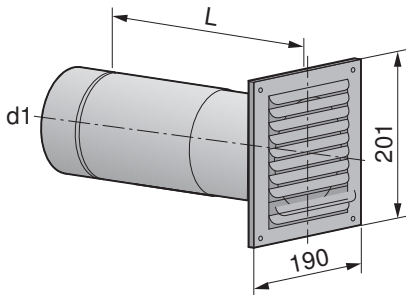
Art. no. H42064 d1 ø150 mm

Recommended articles:

Art. no. 1284718 ø150 mm, L=141 mm
Art. no. 1284716 ø150 mm, L=115 mm

Wall pipes

Telescopic wall pipe with non-return flap valve



Description

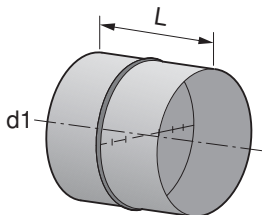
3-part set, L = Wall thickness 300–460 mm
Sendzimir galvanized sheet steel

Grille made from aluminium; can be painted

Art. no. H42065 d1 ø125 mm
H42066 ø150 mm

Flaps

Non-return flap valve with sealing lip



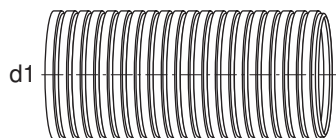
Description

Made from robust sheet steel
For flexible and rigid pipes, L = 80 mm

Art. no. H42061 d1 ø125 mm
H42062 ø150 mm

Hoses

Aluminium hose, semi-flexible

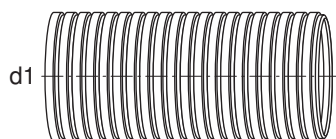


Description

Round Aluflex, semi-flexible
Dimensionally stable, flame resistant
1 à 3 m

Art. no.	d1
H42051	ø125 mm
H42052	ø150 mm
H40168	ø160 mm

Aluminium hose, highly flexible

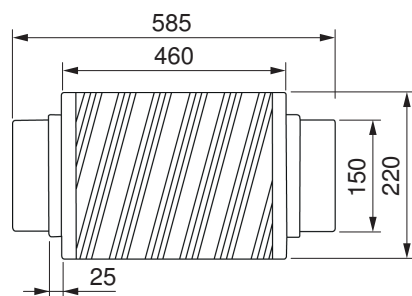


Description

Round Aluflex, highly flexible
Internal bending radius 30–60 mm
Dimensionally stable, flame resistant

Art. no.	d1
H42053	ø125 mm, 1 à 10 m
16955803	ø150 mm, 1 à 15 m

Noise insulation, aluminium



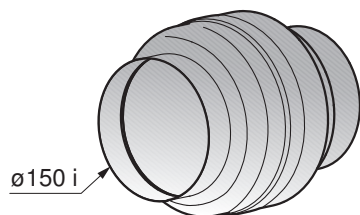
Description

Noise insulation made of aluminium for ø150 mm pipe.
Noise reduction of up to 22 dB.

Art. no.	ø150 mm
1030591	

Fire damper / Shut-off device

Round fire damper



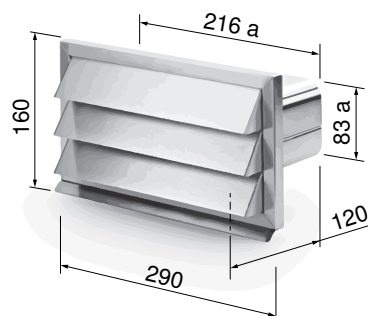
Description

Round fire damper, certified by VKF (Swiss Association of Cantonal Fire Insurance Companies), trigger at 70 °C, connection to plastic pipe possible, can be installed horizontally or vertically

Art. no.	ø150 mm
1157473	

Weather protection grille

Weather protection grille for plastic flat channel



Description

Ventilation grille for plastic flat channel, ChromeClass with non-return flap valve. Compatible with flat channel art. no. 1012780

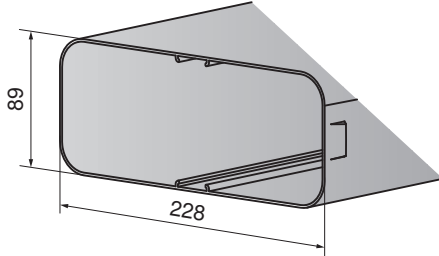
Art. no.	290 × 160 mm
1030590	

Flat channel systems made of plastic (PRIME)



Accessory parts made of non-fireproof plastic.

Prime flat channel



Description

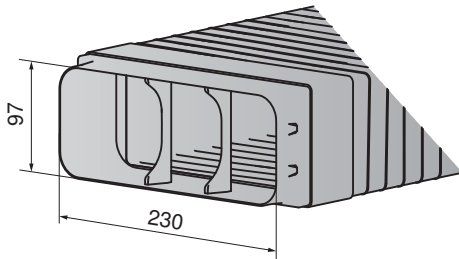
Ventilation pipe

Art. no.

1284699

L=1000 mm

Prime flat channel



Description

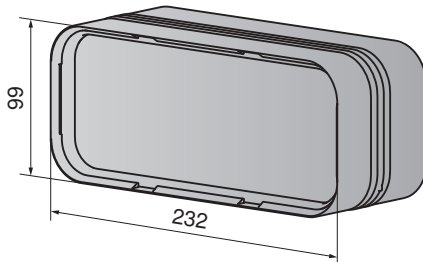
Flexible, deflection and rotation up to 90°

Art. no.

1284706

L=250–550 mm

Prime universal connector for flat channel



Description

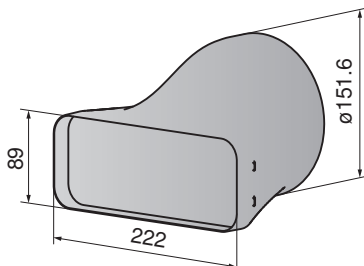
For straight ventilation pipes

Art. no.

1284698

L=85 mm

Prime transition piece



Description

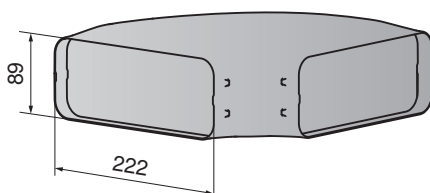
From flat to round, fluidically optimized

Art. no.

1284701

L=166 mm

Prime 90° flat channel elbow



Description

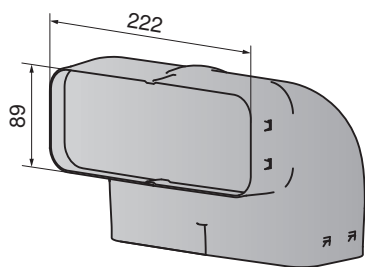
Horizontal to flat channel

Art. no.

1284702

L=289 mm

Prime 90° flat channel elbow



Description

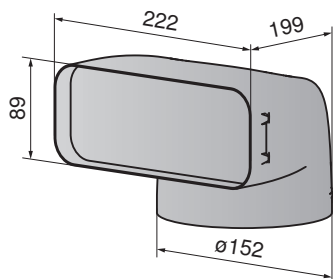
Vertical for 90° flat channel

Art. no.

1284704

W×H=163×163 mm

Prime 90° diverter piece



Description

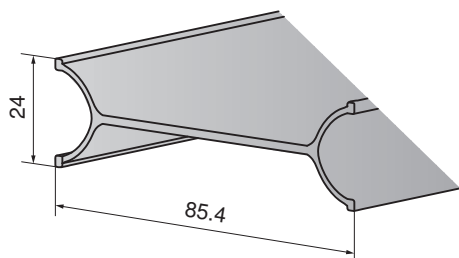
Vertically from flat to round

Art. no.

1284707

L=200 mm

Prime duct spacer for flat channel



Description

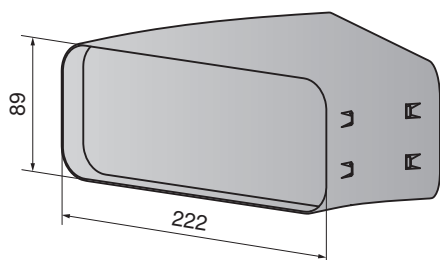
Step load of up to 100 kg

Art. no.

1284700

L=400 mm

Prime 30° flat channel elbow



Description

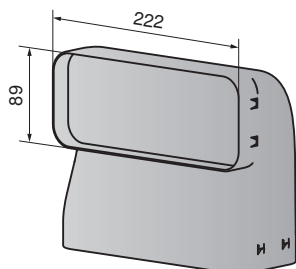
Horizontal for flat channel

Art. no.

1284703

W×H=222×89 mm

Prime 90° flat channel elbow, narrow



Description

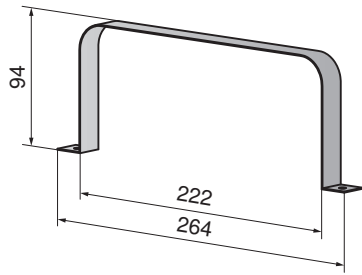
Vertical for flat channel

Art. no.

1284705

W×H=222×89 mm

Prime mounting bracket



Description

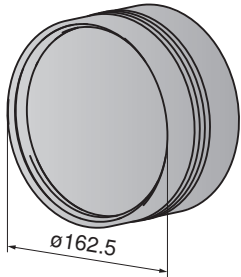
Stainless steel for flat channel

Art. no.

1284708

W×H=222×93 mm

Prime universal connector for round pipes



Description

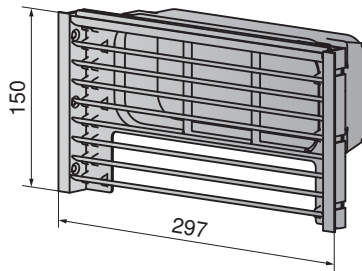
Connection \varnothing 150 mm

Art. no.

1284709

L=85 mm

Prime ventilation grille for base



Description

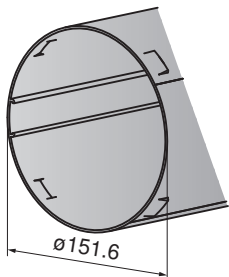
Stainless steel coloured, suitable for plinth height 100–150 mm (can be shortened)

Art. no.

1284717

L=84 mm

Prime round pipe



Description

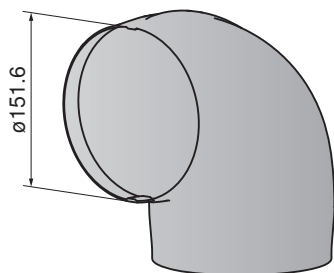
Connection \varnothing 150 mm

Art. no.

1284710

L=1000 mm

Prime 90° pipe elbow



Description

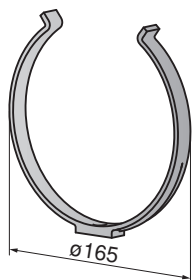
Connection \varnothing 150 mm

Art. no.

1284711

W×H=226×226 mm

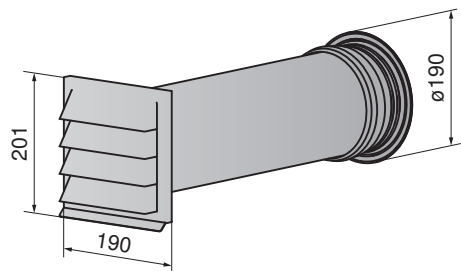
Prime round channel bracket



Description
 For round pipe, $\varnothing 150$ mm

Art. no.
 1284712 L=14 mm

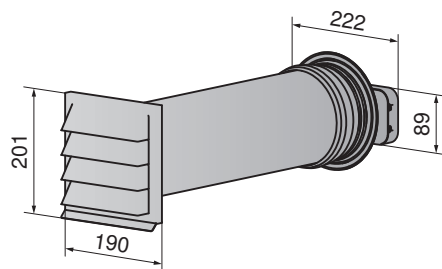
Prime wall box, round



Description
 Incl. stainless steel weather protection grille and non-return flap valve, connection $\varnothing 150$ mm

Art. no.
 1284713 L=220–550 mm

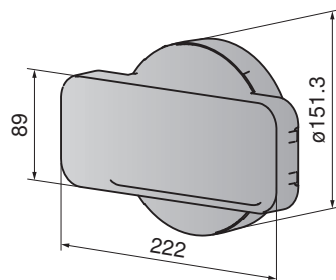
Prime wall box, from flat to round



Description
 Incl. stainless steel weather protection grille and non-return flap valve, connection $\varnothing 150$ mm

Art. no.
 1284714 L=220–550 mm

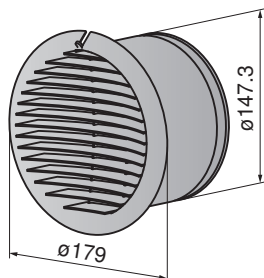
Prime transition piece, narrow



Description
 From narrow to round, $\varnothing 150$ mm

Art. no.
 1284715 L=60 mm

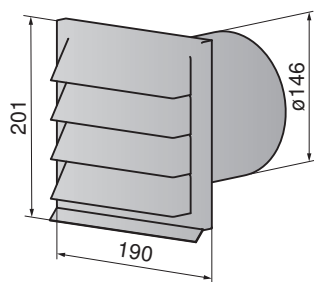
Prime turbo weather protection grille, round



Description
 Stainless steel without non-return flap valve, $\varnothing 150$ mm

Art. no.
 1284716 L=115 mm

Weather protection grille, round



Description

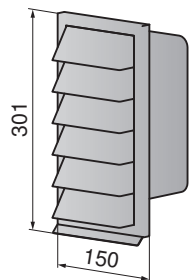
Stainless steel with non-return flap valve, \varnothing 150 mm

Art. no.

1284718

L=141 mm

Weather protection grille, vertical



Description

Stainless steel with non-return flap valve, for connection to flat channel

Art. no.

1284719

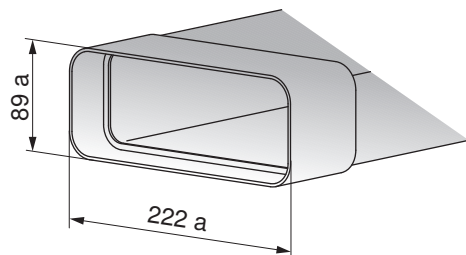
L=120 mm

Flat channel systems made of metal, fire protection class RF 1



Accessory parts made of fireproof metal

Flat channel



Description

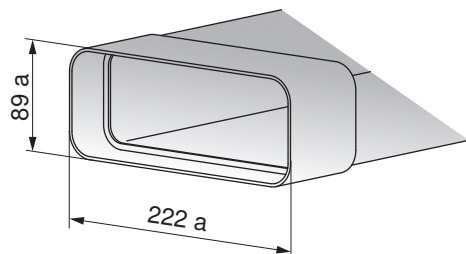
Flat channel with seal

Art. no.

1046627

L = 500 mm

Flat channel



Description

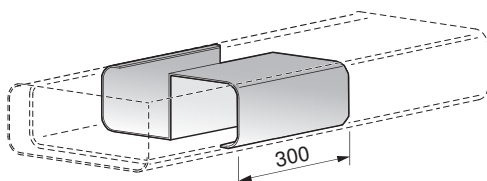
Flat channel with seal

Art. no.

1046628

L = 1000 mm

Reinforcing rib for embedding in concrete



Description

Reinforcing rib for embedding in concrete (tread load of up to 100 kg)

1× required for use in flat channel (L = 500 mm) art. no. 1046627

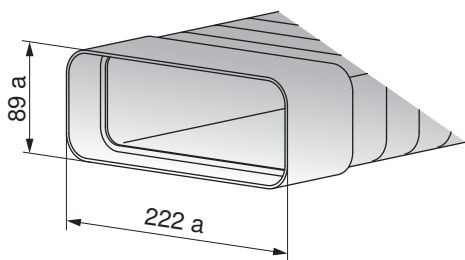
2× required for use in flat channel(L = 1000 mm) art. no. 1046628

Art. no.

1077495

L = 300 mm

Flat channel, flexible



Description

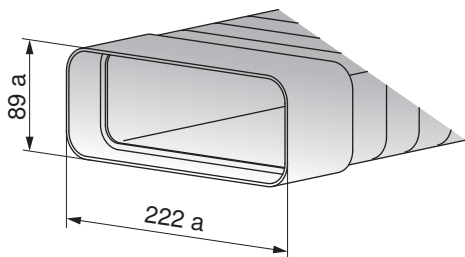
Flat channel, flexible, with seal

Art. no.

1046629

L = 500 mm

Flat channel, flexible



Description

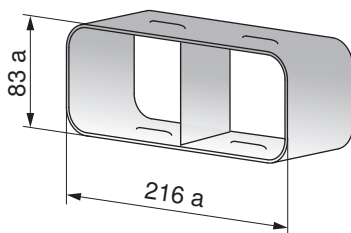
Flat channel, flexible, with seal

Art. no.

1046635

L = 1000 mm

Channel connector



Description

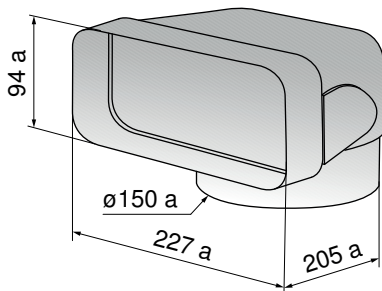
For straight flat channels

Art. no.

1046636

L = 100 mm

Diverter piece on flat channel 90°



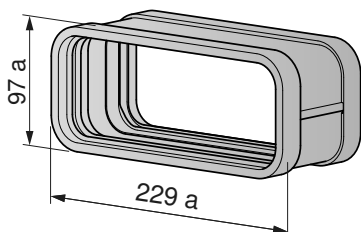
Description

For direct hood connection with air guides and formed sleeve at one end

Art. no.

1046638

Flat elbow connector



Description

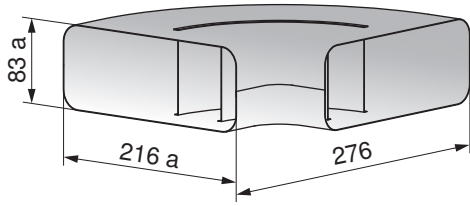
For connecting two flat channel elbows, with two pre-assembled profiled seals.
 (Not suitable for connecting flat channel pipes.)

Art. no.

1188102

Length = 90 mm

Elbow 90°, horizontal

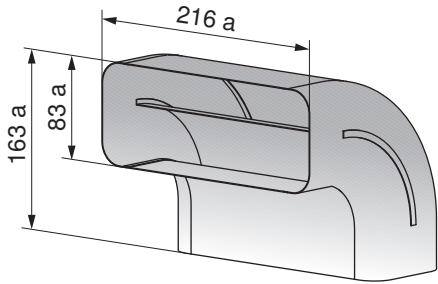


Description

Elbow with air guides

Art. no.
 1046639

Elbow 90°, vertical

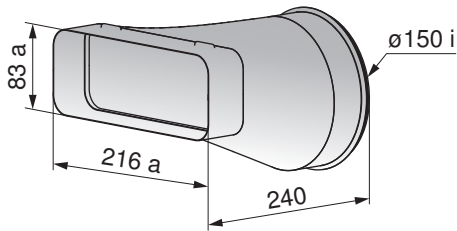


Description

Elbow with air guides

Art. no.
 1046643

Transition piece for flat channel

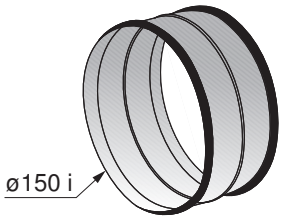


Description

For direct transition from flat to round, fluidically optimized

Art. no.
 1046644

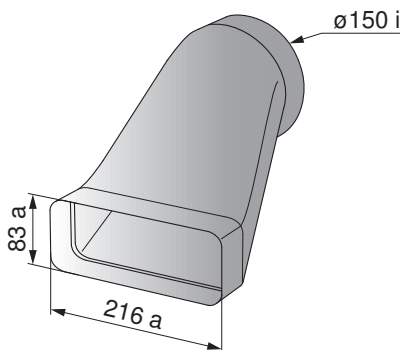
Pipe connection



Art. no.
 1046646

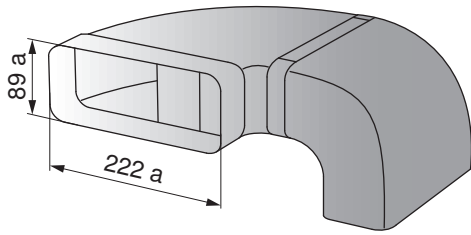
d = 150 mm

Offsetting end piece on base motor



Art. no.
 1046649

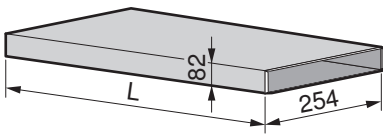
Pipe set for hob hoods



Art. no.
 1046650

Flat channels, standard metal

Flat channel



Description

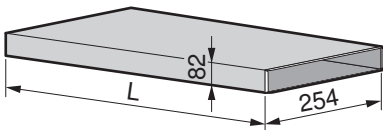
Exhaust ducting system with very low installation height of 82 mm
 Sendzimir galvanized sheet steel
 Corresponds to nominal diameter \varnothing 150 mm

Art. no.

H42068
 H42069

L = 1000 mm
 L = 600 mm

Reinforced flat channel



Description

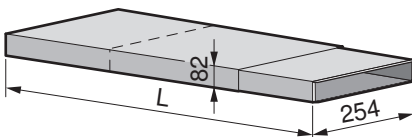
Exhaust ducting system with very low installation height of 82 mm
 Sendzimir galvanized sheet steel
 With reinforcement for concreting in
 Corresponds to nominal diameter \varnothing 150 mm

Art. no.

H42085
 H42086

L = 600 mm
 L = 1000 mm

Telescopic flat channel



Description

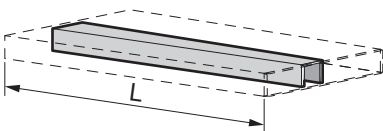
Exhaust ducting system with very low installation height of 82 mm
 Sendzimir galvanized sheet steel
 Corresponds to nominal diameter \varnothing 150 mm

Art. no.

H42070

L = 275–535 mm

Reinforcing rib for flat channel



Description

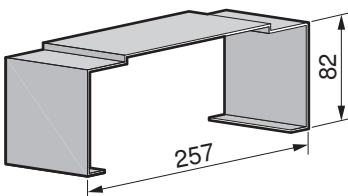
For concreting in flat channel

Art. no.

H42071
 H42072

L = 600 mm
 L = 1000 mm

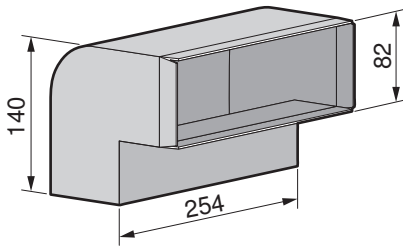
Mounting bracket for flat channel



Art. no.

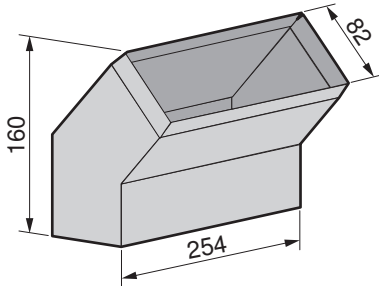
H42073

Elbow 90°, vertical, for flat channel



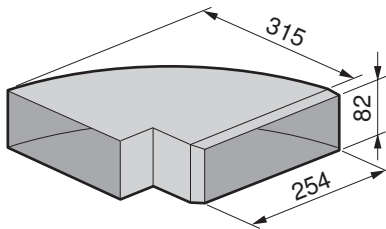
Art. no.
 H42074

Elbow 45°, vertical, for flat channel



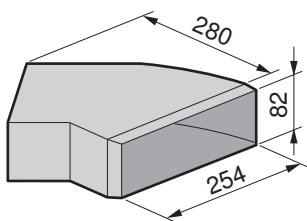
Art. no.
 H42075

Elbow 90°, horizontal, for flat channel



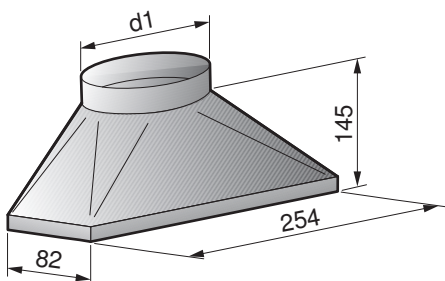
Art. no.
 H42076

Elbow 45°, horizontal, for flat channel



Art. no.
 H42077

Transition piece for flat channel



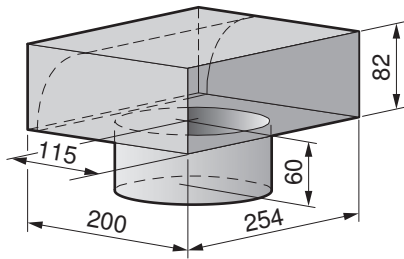
Description

For transition from round to flat

Art. no.
 H42078

d1
 ø150 mm

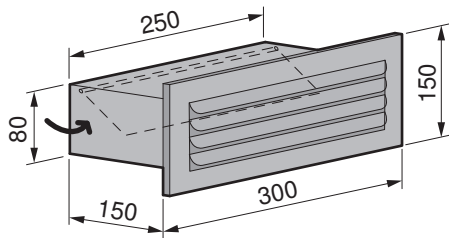
Diverter piece on flat channel



Art. no.
 H42087
 H42079

Connection \varnothing 125 mm
 Connection \varnothing 150 mm

Flat channel wall box



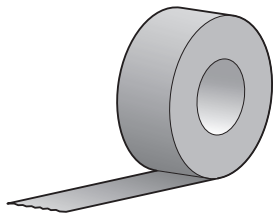
Description

With non-return flap valve and weather protection grille

Art. no.
 H42054

Sealing tape

Aluminium tape



Description

Fabric-reinforced tape, with protective film, 50 mm x 50 m roll

Art. no.
 H42067

16.5 Dishwashers

AdoraDish

Designation	Article no.
Set of reinforced springs for heavy decor front panels – grade 2 yellow	1206327
Set of reinforced springs for heavy decor front panels – grade 3 green	1206328
Set of reinforced springs for heavy decor front panels – grade 4 red	1206329

Mirror glass fronts (option)

Integrated	Width	Height	Depth	Article no.
Decor set 60 standard mirror glass	596 mm	632 mm	20 mm	W83526
Decor set 60 extra height mirror glass	596 mm	697 mm	20 mm	W83527

Diverse sets

Designation	Article no.	Remarks
Slide plate set 60 cm, special niche 1.5 mm	W84789	For extra-height appliances with a width of 60 cm. In place of the plinth runners for the installation on a plinth or in a tall unit.
Compensator set, black	W82043	Additional order for «mirror glass» appliances. The set can also be used for «ChromeClass» appliances.
Plinth runner	W82930	For height compensation in a niche
Work surface protection	W70163	Protection against escaping moisture
CS set of long hoses V6000 / V4000B	1032108	Conversion to 3 m Aquastop and 3 m drain hose*
CS set of long hoses V2000 / V4000	1091481	Conversion to 3 m Aquastop and 3 m drain hose*
CS set containing door hinge brake	1011228	For very heavy decor panels for appliances with door opener



* Conversion must be carried out by qualified personnel.



16.6 Refrigerating and freezing appliances

Designation	Article no.	Remarks
Supplementary kit Euro 60 (with filler strip). For all CombiCoolers, except for the V6000 Supreme.	1066699	Length 1780 mm
Adapter profile WineCooler V4000 8U (51158)	1062627	Height ≥ 30 mm
Fixing plate for handleless fronts , for use with all CombiCoolers, except for the V6000 Supreme.	H73409	-
Assembly set made of metal for fastening decorative door panel , for use with all CombiCoolers, except for the V6000 Supreme.	1171133	For heavy fronts, the metal assembly set can be ordered in place of the plastic angle bracket supplied.

Installation accessories for		
CombiCooler V6000 90 Supreme		
Chrome steel door panel set, hinge right	1087155	Width 894 mm, height of refrigerating section 1320 mm, height of freezer section 581 mm, thickness 20 mm
Chrome steel door panel set, hinge left	1090119	
Black door handle, 760 mm	1234973	Door handle for freezer section (horizontal). Distance between threaded holes 585 mm, height 48 mm. For fastening, use M5 screws of a length appropriate for the door panel thickness.
Platinum door handle, 760 mm	1234974	
Pearl door handle, 760 mm. This door handle is included in chrome steel door panel set 1087155 and 1090119.	1234975	
CombiCooler V6000 75 Supreme		
Chrome steel door panel set, hinge right	1281228	Width 744 mm, height of refrigerating section 1320 mm, height of freezer section 580 mm, thickness 18 mm
Chrome steel door panel set, hinge left	1281229	
Black door handle, 625 mm	1313270	Door handle for freezer section (horizontal). Distance between threaded holes 520/585 mm, height 48 mm. For fastening, use M5 screws of a length appropriate for the door panel thickness.
Platinum door handle, 625 mm	1313272	
Pearl door handle, 625 mm. This door handle is included in chrome steel door panel set 1281228 and 1281229.	1313271	
Cooler V6000 90 Supreme		
Chrome steel door panel set, hinge right	1087157	Width 894 mm, height 1904 mm, thickness 20 mm
Chrome steel door panel set, hinge left	1090120	
Cooler V6000 75 Supreme		
Chrome steel door panel set, hinge right	1281230	Width 744 mm, height 1904 mm, thickness 18 mm
Chrome steel door panel set, hinge left	1281231	



Installation accessories for		
WineCooler V6000 60 Supreme		
Chrome steel door panel set, hinge right	1087156	Width 594 mm, height 1904 mm, thickness 20 mm
Chrome steel door panel set, hinge left	1090121	
Freezer V6000 60 Supreme		
Chrome steel door panel set, hinge right	1090125	Width 594 mm, height 1904 mm, thickness 20 mm
Chrome steel door panel set, hinge left	1090126	
All V6000 Supreme appliances		
Black door handle, 1060 mm	1249038	Door handle for main refrigerating section (vertical) Distance between threaded holes 840 mm, height 48 mm. For fastening, use M5 screws of a length appropriate for the door panel thickness.
Platinum door handle, 1060 mm	1249040	
Pearl door handle, 1060 mm. Pearl door handle, 1060 mm. This door handle is included in all chrome steel door panel sets.	1249039	
Intermediate plastic cover strip for side-by-side installation	1101167	-
Door opening, stopper 90°	1272005	-
Filler strip to bridge the gap between the appliance door and decor front panel	1275559	-

17 V-ZUG-Home

17.1 Internet access



Internet access is required for use of V-ZUG-Home.

17.2 Scope of delivery

For appliances with V-ZUG-Home, the V-ZUG-Home module is integrated in the appliance and ready for operation. Models with a V-ZUG-Home module can be connected to the home network via WLAN/Wi-Fi.



V-ZUG-Home is not available in all countries.

Type of appliance	Model designation	Model number
Ovens	Combair V600 60 Combair V2000 45/60, Combair V4000 45/45P/60/60P, Combair V6000 45/45P/60/60P	21043, 21045, 21047–21050, 21055, 21057–21059, 21067, 21068, 21070, 21073, 21128
Steamers	Steamer V4000 38/45, CombiSteamer V4000 45, CombiSteamer V6000 45/45F/45L Grand/45M PowerSteam, CombairSteamer V2000 60, CombairSteamer V6000 60	23025, 23026, 23031–23034, 23036, 23038, 23041, 23043, 23045–23047, 23049
Microwaves	CombiMiwell V2000 38, CombiMiwell V4000 45	24021, 24025
Dishwashers	AdoraDish V2000, AdoraDish V4000, AdoraDish V6000	41162, 41163, 41166, 41168, 41147, 41171, 41172, 41173, 41177
Induction hobs	CookTop V6000 I705 FullFlex, CookTop V6000 I906 FullFlex	31132, 31134
Refrigerators	CombiCooler V4000, CombiCooler V4000 178NI/178KNI CombiCooler V6000 178NI CombiCooler V600 NI	51087, 51108, 51114, 51151, 51148, 51149 51157
Winecoolers	WineCooler V4000 90/45	51102, 51113

17.3 Connecting to the home network

WLAN/Wi-Fi connection



Establishing a connection between an appliance and a wireless network is described in the operating instructions for «V-ZUG-Home». These can be found at vzug.com.



Index

A

Accessories	151
Compensation elements for combination possibilities	152
Design cover	153
Drain hose	153
for range hoods	156
for refrigerators	171
Gas hobs	155
Adapter frame	152
Adjusting brace set	154
Angle set	154
Angle set for combination possibilities	152

B

Built-in range hoods	108
----------------------------	-----

C

Coffee machines	
Accessories	151
Compensation elements	
Adapter frame	152
Angle set for combination possibilities	152
Design cover	153
Ventilation grille	151
Cookers	19
Country groups	2

D

Design cover	153
Dishwashers	
Plumbing-in data	121
Dishwashers with heat pump	130
Electrical connection data	132
Plumbing-in data	132

E

Electrical connection data	
Dishwashers Adora	120
Induction hobs	71
Mini ovens	19
Steamers	14
Warming and system drawers	22
Electrical connections	
Fault currents	5
General operating conditions	5
Microwaves	29
Position	10
Residual current devices (RCD)	5
Electrical connections and installation dimensions	5

F

Fault currents	5
Fire damper / Shut-off device	159
Fixed adapter	151
Flat channel systems made of metal	82, 164
Flat channel systems made of plastic	80, 81, 160
Frequency stability	5
Frequency variation	5

G

General operating conditions	5
Glass ceramic hobs	
Examples for combined installation	67
Induction hobs	36

I

Induction hob	36
Induction hobs	
Electrical connection data	36
Installation dimensions	5
EURO	11
Front dimensions	12, 13
Installing	
EURO	11
Intermediate support set	155
Island hoods	100

M

Microwaves	29
Accessories	151
Mini ovens	
Electrical connection data	19

O

Operating altitude for refrigerating appliances	137
Operating conditions	
General	5
Ovens	19
Accessories	151

P

Plumbing-in data	
Dishwashers Adora	120
Positions of electrical connections	10
Range hoods	102

R

Range hoods	85
Built-in range hoods	108
Connecting nipples	157
Connecting pipes	157
Elbow	157
Fastening elements	156
Flaps	158
Flat channels	167
Hoses	159
Island hoods	100
Pipe end pieces	158
Positions of electrical connections	102
Reducers	157
Sealing tape	169
Special hoods	86
TechInfo for range hoods	156
Wall hoods	102
Wall pipes	158
Weather protection grille	158
Refrigerating and freezing appliances	136
Residual current devices (RCD)	5

**S**

Sealing strip set.....	154
Spacer set	154
Special hoods	86
Steamers	14
Accessories	151
Electrical connection data.....	14
Plumbing in.....	18
Supplementary documents.....	2
TechInfo for range hoods	156
Symbols used.....	2
System drawers.....	22
Accessories	151

T

TechInfo for range hoods	156
--------------------------------	-----

U

Use at altitude.....	5
Useful links	2

V

Vacuum drawers.....	22
Accessories	151
Validity	6
Ventilation grille	151, 154
Ventilation protective plate set.....	154

W

Wall hoods.....	102
Warming and system drawers	
Electrical connection data.....	22
Warming drawers	22
Accessories	151
Weather protection grille.....	159
Winecoolers.....	145

CONTACT IN SWITZERLAND

V-ZUG Ltd
Industriestrasse 66
6302 Zug/Switzerland
www.vzug.com

Service & Support International
service-support@vzug.com

